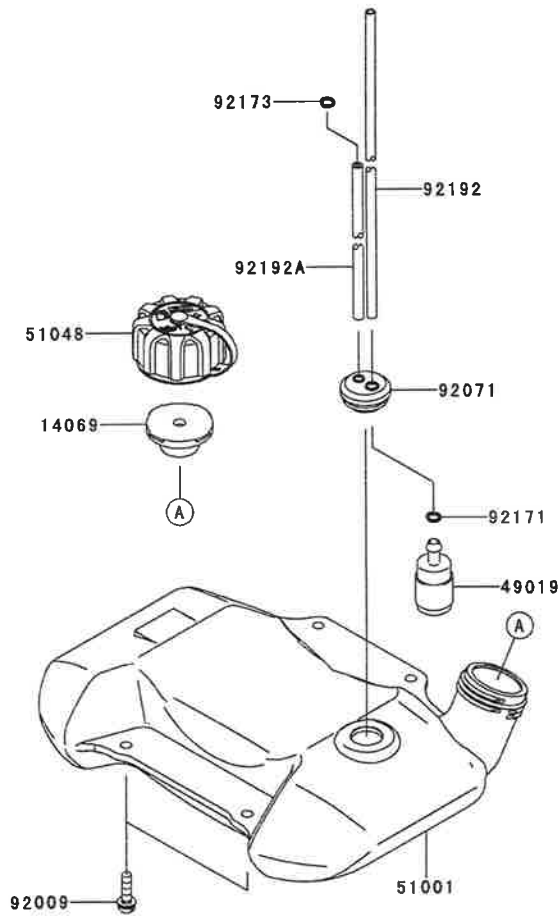


This catalog covers:  
**TJ053E- □ S50**

This fig. covers:  
**07 FUEL-TANK/FUEL-VALVE**

E0200-A809A

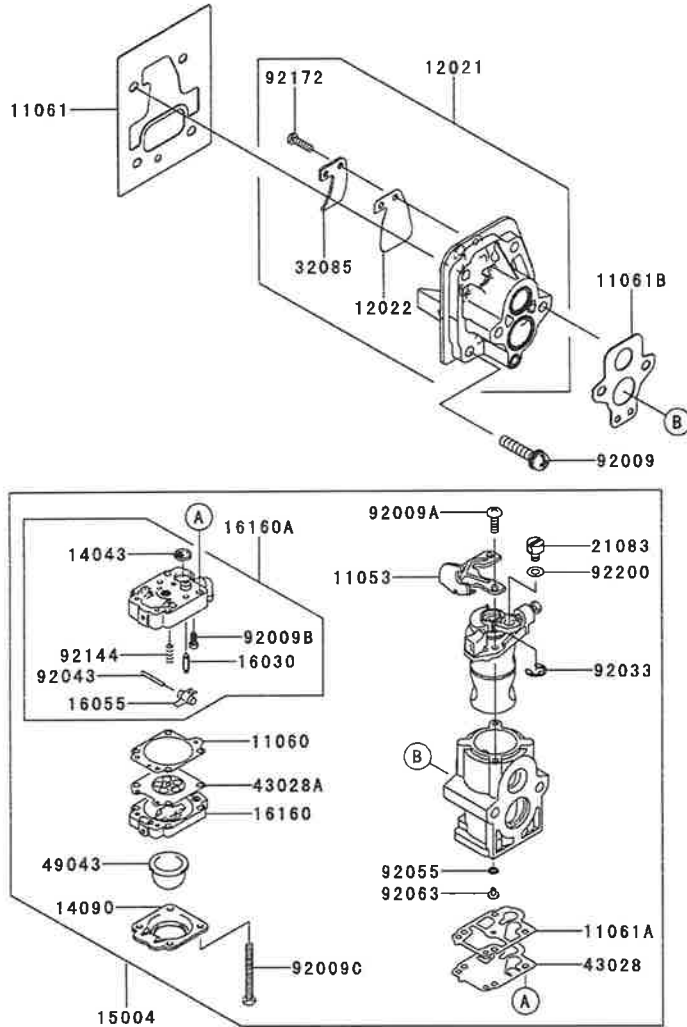


| Ref. No. | Part No.   | Description    | Quantity |
|----------|------------|----------------|----------|
| 14069    | 14069-2088 | BREATHER       | 1        |
| 49019    | 49019-2111 | FILTER-FUEL    | 1        |
| 51001    | 51001-2343 | TANK-COMP-FUEL | 1        |
| 51048    | 51048-2087 | CAP-ASSY-TANK  | 1        |
| 92009    | 92009-2249 | SCREW,5X20     | 4        |
| 92071    | 92071-2169 | GROMMET        | 1        |
| 92171    | 92171-2086 | CLAMP          | 1        |
| 92173    | 92173-2022 | CLAMP          | 1        |
| 92192    | 92192-2177 | TUBE,3X5X200   | 1        |
| 92192A   | 92192-2225 | TUBE,3X5.5X100 | 1        |

This catalog covers:  
**TJ053E- □ S50**

This fig. covers:  
**05 CARBURETOR**

E0180-A929A

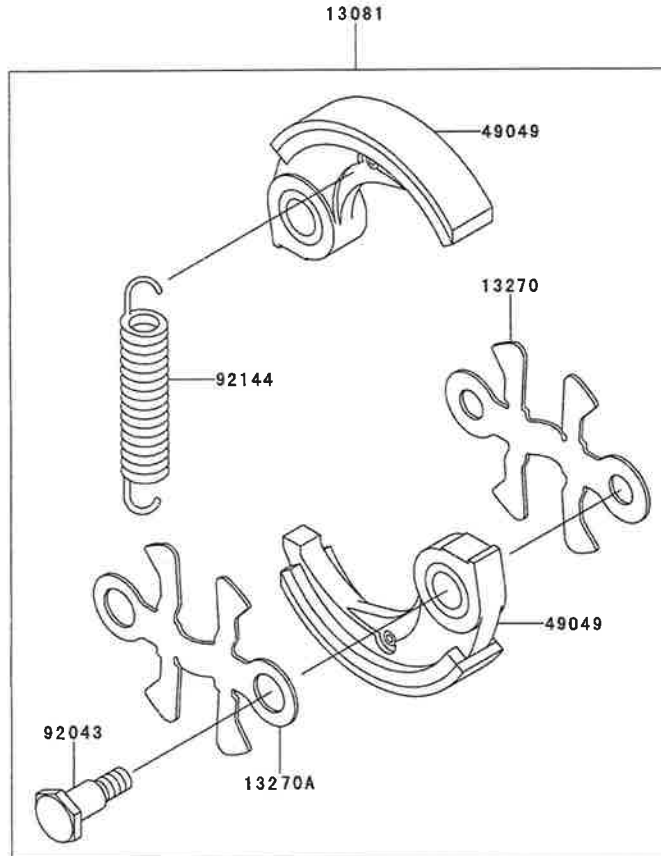


| Ref. No. | Part No.   | Description                 | Quantity |
|----------|------------|-----------------------------|----------|
| 11053    | 11053-2066 | BRACKET                     | 1        |
| 11060    | 11060-2111 | GASKET                      | 1        |
| 11061    | 11061-0763 | GASKET,CARBURETOR/INSULATOR | 1        |
| 11061A   | 11061-2054 | GASKET                      | 1        |
| 11061B   | 11061-2237 | GASKET,CARBURETOR-INSULATOR | 1        |
| 12021    | 12021-0706 | VALVE-ASSY-REED             | 1        |
| 12022    | 12022-2063 | VALVE-REED                  | 1        |
| 14043    | 14043-2051 | FILTER                      | 1        |
| 14090    | 14090-2017 | COVER,PRIMER PUMP           | 1        |
| 15004    | 15004-2100 | CARBURETOR-ASSY             | 1        |
| 16030    | 16030-2078 | VALVE-FLOAT                 | 1        |
| 16055    | 16055-2051 | LEVER                       | 1        |
| 16160    | 16160-0728 | BODY                        | 1        |
| 16160A   | 16160-2101 | BODY                        | 1        |
| 21083    | 21083-2073 | ARM                         | 1        |
| 32085    | 32085-2109 | STOPPER                     | 1        |
| 43028    | 43028-2067 | DIAPHRAGM                   | 1        |
| 43028A   | 43028-2096 | DIAPHRAGM                   | 1        |
| 49043    | 49043-2067 | PUMP-PRIMING                | 1        |
| 92009    | 92009-2235 | SCREW,5X25                  | 4        |
| 92009A   | 92009-2277 | SCREW                       | 2        |
| 92009B   | 92009-2336 | SCREW                       | 1        |
| 92009C   | 92009-2337 | SCREW                       | 4        |
| 92033    | 92033-2078 | RING-SNAP                   | 1        |
| 92043    | 92043-2094 | PIN                         | 1        |
| 92055    | 92055-2147 | RING-O                      | 1        |
| 92063    | 92063-0018 | JET-MAIN,#53                | 1        |
| 92144    | 92144-2308 | SPRING                      | 1        |
| 92172    | 92172-2123 | SCREW,3X12                  | 1        |
| 92200    | 92200-2074 | WASHER                      | 1        |

This catalog covers:  
**TJ053E- □ S50**

This fig. covers:  
**09 P.T.O-EQUIPMENT**

E0220-A017A



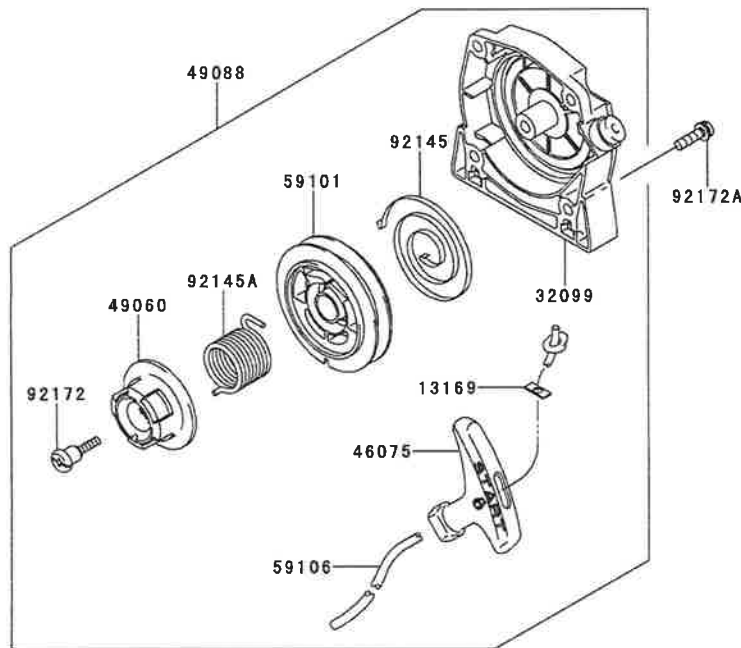
| Ref. No. | Part No.   | Description | Quantity |
|----------|------------|-------------|----------|
| 13081    | 13081-2224 | CLUTCH-ASSY | 1        |
| 13270    | 13270-2118 | PLATE       | 1        |
| 13270A   | 13270-2119 | PLATE       | 1        |
| 49049    | 49049-2098 | SHOE-CLUTCH | 2        |
| 92043    | 92043-2210 | PIN,CLUTCH  | 2        |
| 92144    | 92144-2373 | SPRING      | 1        |

This catalog covers:  
**TJ053E- □ S50**

**08 STARTER**

This fig. covers:

E0210-A615A

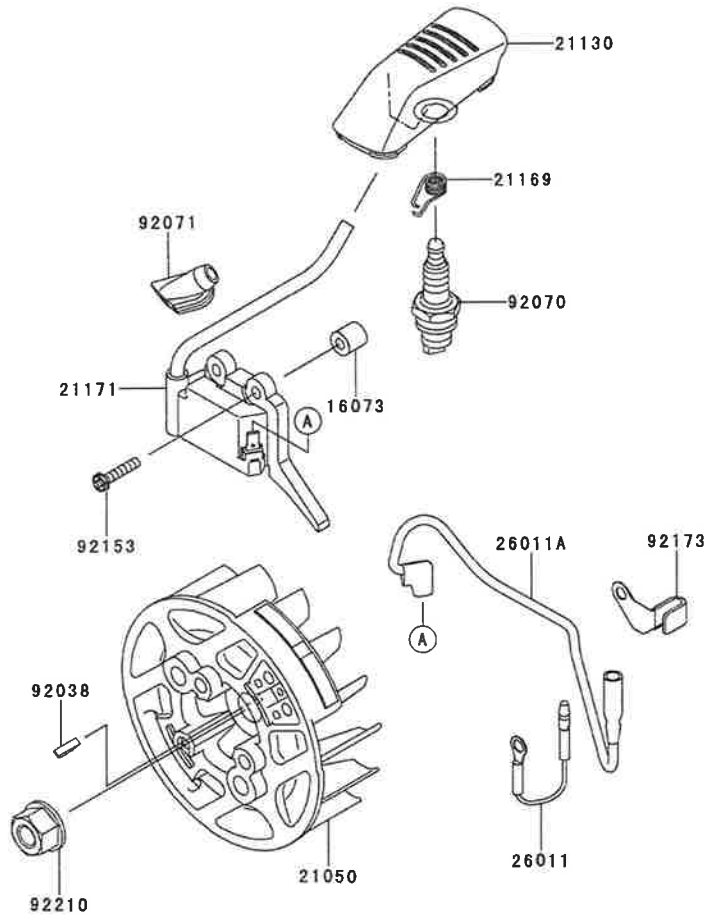


| Ref. No. | Part No.   | Description          | Quantity |
|----------|------------|----------------------|----------|
| 13165    | 13165-2109 | PAWL,RECOIL-STARTER  | 2        |
| 13169    | 13169-2386 | PLATE,RECOIL STARTER | 1        |
| 32099    | 32099-0707 | CASE,STARTER-RECOIL  | 1        |
| 46075    | 46075-2129 | GRIP,RECOIL STARTER  | 1        |
| 49060    | 49060-0556 | CAM,PLATE            | 1        |
| 49080    | 49080-0707 | PULLEY-STARTING      | 1        |
| 49088    | 49088-0711 | STARTER-RECOIL       | 1        |
| 59101    | 59101-0010 | REEL,STARTER-RECOIL  | 1        |
| 59106    | 59106-0554 | ROPE,3.8X1000        | 1        |
| 92033    | 92033-2010 | RING-SNAP            | 2        |
| 92145    | 92145-0837 | SPRING,SPIRAL        | 1        |
| 92145A   | 92145-0864 | SPRING,DAMPER        | 1        |
| 92145B   | 92145-2148 | SPRING               | 2        |
| 92172    | 92172-0705 | SCREW                | 1        |
| 92172A   | 92172-0710 | SCREW,6X22           | 4        |

This catalog covers:  
**TJ053E- □ S50**

This fig. covers:  
**04 ELECTRIC-EQUIPMENT**

E0160-B645A

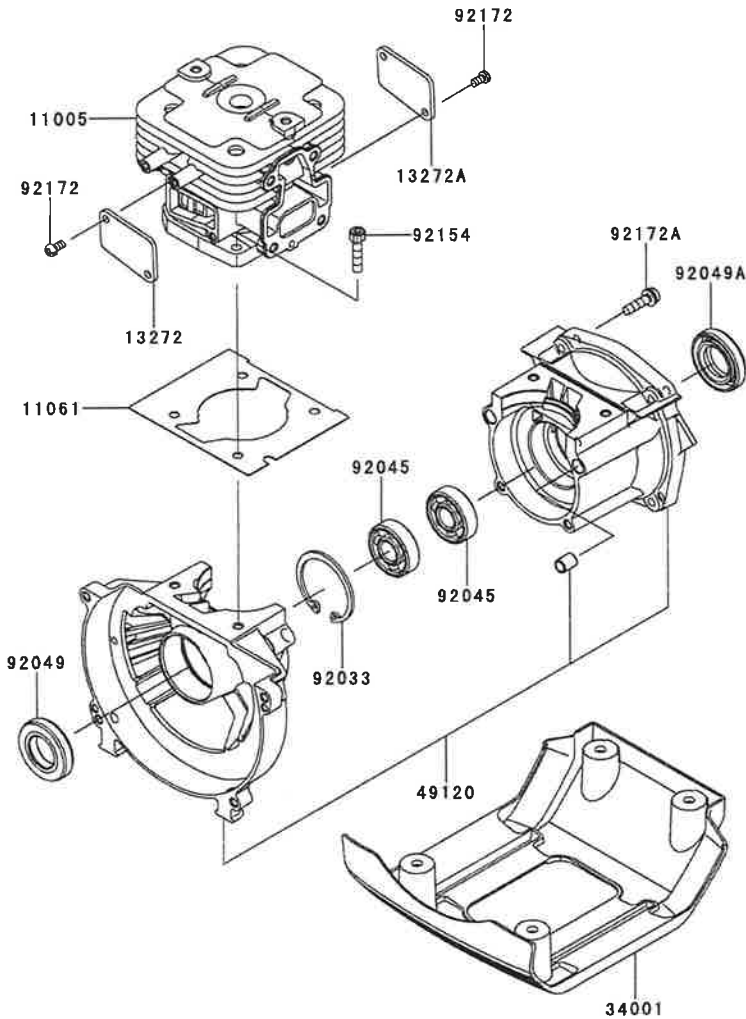


| Ref. No. | Part No.   | Description        | Quantity |
|----------|------------|--------------------|----------|
| 16073    | 16073-2239 | INSULATOR          | 2        |
| 21050    | 21050-2328 | FLYWHEEL           | 1        |
| 21130    | 21130-2082 | CAP-SPARK PLUG     | 1        |
| 21169    | 21169-2080 | TERMINAL           | 1        |
| 21171    | 21171-2292 | COIL-ASSY-IGNITION | 1        |
| 26011    | 26011-2389 | WIRE-LEAD          | 1        |
| 26011A   | 26011-2399 | WIRE-LEAD          | 1        |
| 92038    | 92038-2109 | KEY                | 1        |
| 92070    | 92070-2122 | PLUG-SPARK         | 1        |
| 92071    | 92071-0704 | GROMMET            | 1        |
| 92153    | 92153-2138 | BOLT,4X20          | 2        |
| 92173    | 92173-0963 | CLAMP              | 1        |
| 92210    | 92210-2136 | 10MM               | 1        |

This catalog covers:  
**TJ053E- □ S50**

This fig. covers:  
**01 CYLINDER/CRANKCASE**

E0110-A769B

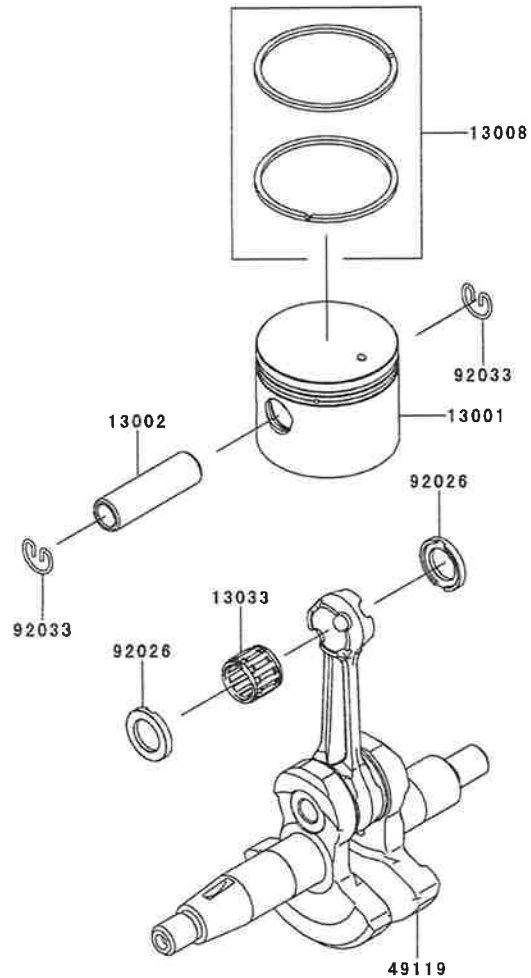


| Ref. No. | Part No.   | Description     | Quantity |
|----------|------------|-----------------|----------|
| 11005    | 11005-2166 | CYLINDER-ENGINE | 1        |
| 11061    | 11061-2234 | GASKET,CYLINDER | 1        |
| 13272    | 13272-2044 | PLATE           | 1        |
| 13272A   | 13272-2049 | PLATE           | 1        |
| 49120    | 49120-0713 | CRANKCASE       | 1        |
| 34001    | 34001-2093 | STAND           | 1        |
| 92033    | 92033-2202 | RING-SNAP       | 1        |
| 92045    | 92045-2285 | BEARING-BALL    | 2        |
| 92049    | 92049-2280 | SEAL-OIL        | 1        |
| 92049A   | 92049-2281 | SEAL-OIL        | 1        |
| 92154    | 92154-2047 | BOLT            | 4        |
| 92172    | 92172-2103 | SCREW,4X8       | 4        |
| 92172A   | 92172-2122 | SCREW,5X40      | 4        |

This catalog covers:  
**TJ053E- □ S50**

**02** This fig. covers:  
**PISTON/CRANKSHAFT**

E0120-A454A



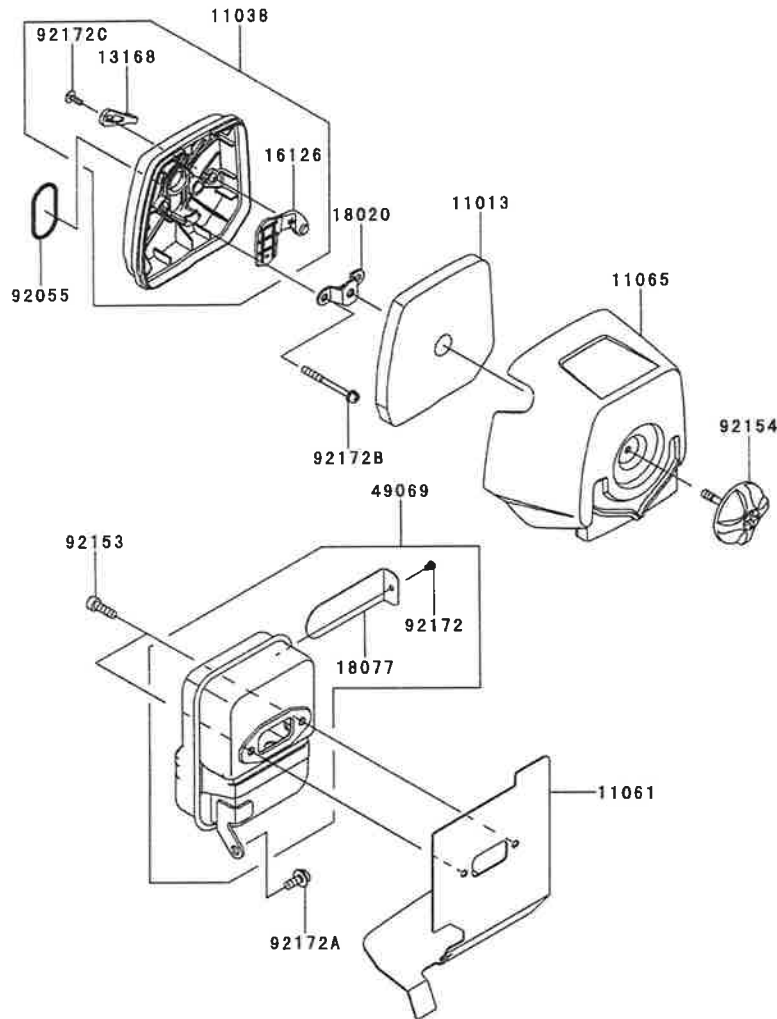
| Ref. No. | Part No.   | Description       | A | Quantity |
|----------|------------|-------------------|---|----------|
| 13001    | 13001-2197 | PISTON-ENGINE     | 1 |          |
| 13002    | 13002-2105 | PIN-PISTON        | 1 |          |
| 13008    | 13008-6075 | RING-SET-PISTON   | 1 |          |
| 13033    | 13033-2063 | BEARING-SMALL END | 1 |          |
| 49119    | 49119-2248 | CRANKSHAFT-ASSY   | 1 |          |
| 92026    | 92026-2364 | SPACER            | 2 |          |
| 92033    | 92033-2200 | RING-SNAP         | 2 |          |

This catalog covers:  
**TJ053E- □ S50**

**06**

This fig. covers:  
**AIR-FILTER/MUFFLER**

E0190-B379A



| Ref. No. | Part No.   | Description          | Quantity |
|----------|------------|----------------------|----------|
| 11013    | 11013-2242 | ELEMENT-AIR FILTER   | 1        |
| 11038    | 11038-0705 | CASE-ASSY-AIR FILTER | 1        |
| 11061    | 11061-0822 | GASKET,MUFFLER       | 1        |
| 11065    | 11065-2141 | CAP                  | 1        |
| 13168    | 13168-2521 | LEVER,AIR FILTER     | 1        |
| 16126    | 16126-2250 | VALVE,AIR FILTER     | 1        |
| 18020    | 18020-2096 | BAFFLE               | 1        |
| 18077    | 18077-2144 | ARRESTER-SPARK       | 1        |
| 49069    | 49069-2454 | MUFFLER-ASSY         | 1        |
| 92055    | 92055-2222 | RING-O               | 1        |
| 92153    | 92153-2137 | BOLT, SOCKET,5X16    | 2        |
| 92154    | 92154-2045 | BOLT,5X30            | 1        |
| 92172    | 92172-2112 | SCREW                | 1        |
| 92172A   | 92172-2114 | SCREW,5X14           | 1        |
| 92172B   | 92172-2130 | SCREW,5X55           | 2        |
| 92172C   | 92172-2136 | SCREW,3X10           | 1        |

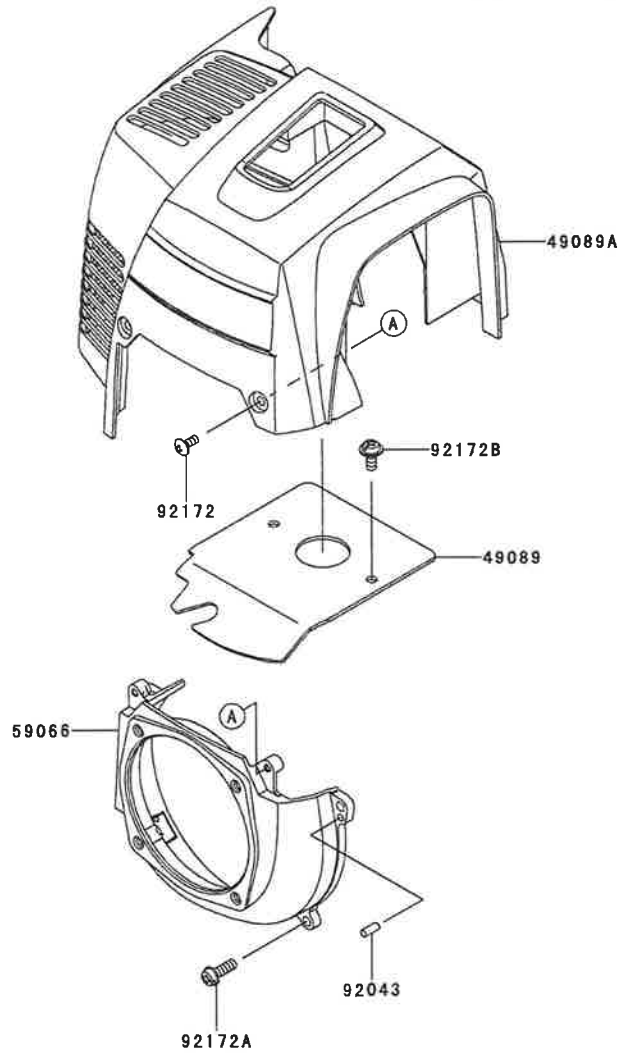


This catalog covers:  
**TJ053E- □ S50**

**03**

This fig. covers:  
**COOLING-EQUIPMENT**

E0150-B089A



| Ref. No. | Part No.   | Description   | Quantity |
|----------|------------|---------------|----------|
| 49089    | 49089-0752 | SHROUD-ENGINE | 1        |
| 49089A   | 49089-2781 | SHROUD-ENGINE | 1        |
| 59066    | 59066-2823 | HOUSING-FAN   | 1        |
| 92043    | 92043-2275 | PIN           | 2        |
| 92172    | 92172-2060 | SCREW,4X10    | 2        |
| 92172A   | 92172-2125 | SCREW,5X16    | 4        |
| 92172B   | 92172-2140 | SCREW,5X12    | 2        |