

DESPIECE MOTOAZADA SR1Z-80 (3+1) (1,2,3,0,R)

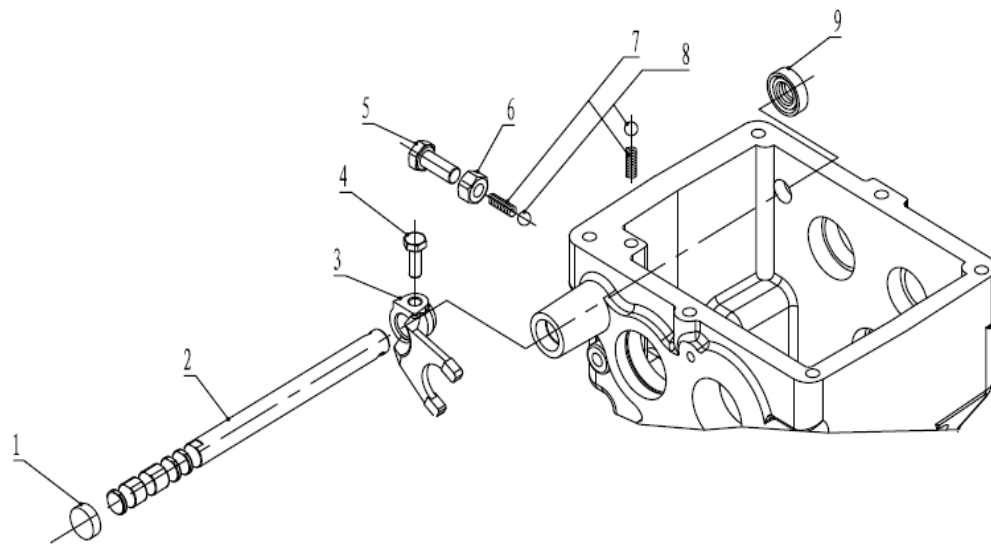


Figura n°	Referencia			Cantidad				
1	2.68.01.000020		End cap oil seal $\phi 16*6$	1				
2	2.68.01.000027		Shift fork shaft	1				
3	2.68.01.000029		Shift fork	1				
4	2.63.01.00191		Bolt -GB/T 16674.1-2004-M6*16	1				
5	2.63.01.00203-1		Bolt GB/T 16674.1-2004 M8*20	1				
6	2.63.01.01795		Nut GB/T 6177.1-2000 M8	1				
7	2.68.01.000035		Spring/1.2*6*15.5	2				
8	2.68.01.000036		Steel ball/S ϕ 6.35	2				
9	2.09.04.000100		oil seal GB/T 9877.1-1988 $\phi 12*\phi 22*6$	1				

Transmission case(main shaft assy)

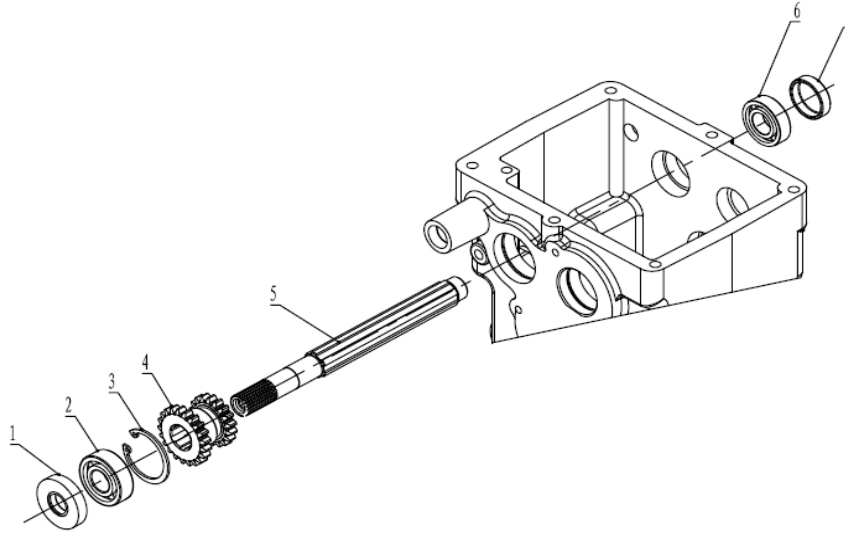


Figura n°	Referencia			Cantidad				
1	2.09.04.009400		Oil seal-GB/T9877.1-15*35*7	1				
2	2.63.02.000900		Deep groove ball bearing GB/T 276-1994 6202	1				
3	2.07.03.000100		Circlip for hole GB/T 893.1 35	1				
4	2.68.01.000021		Driving duplicate gear /gear 18/21/module 1.75	1				
5	2.68.01.000026		main shaft	1				
6	2.63.02.008600		Bearing-GB/T276-1994-6002	1				
7	2.68.01.000032		End cap oil seal/φ28*7	1				

Transmission case(reverse gear shaft assy)

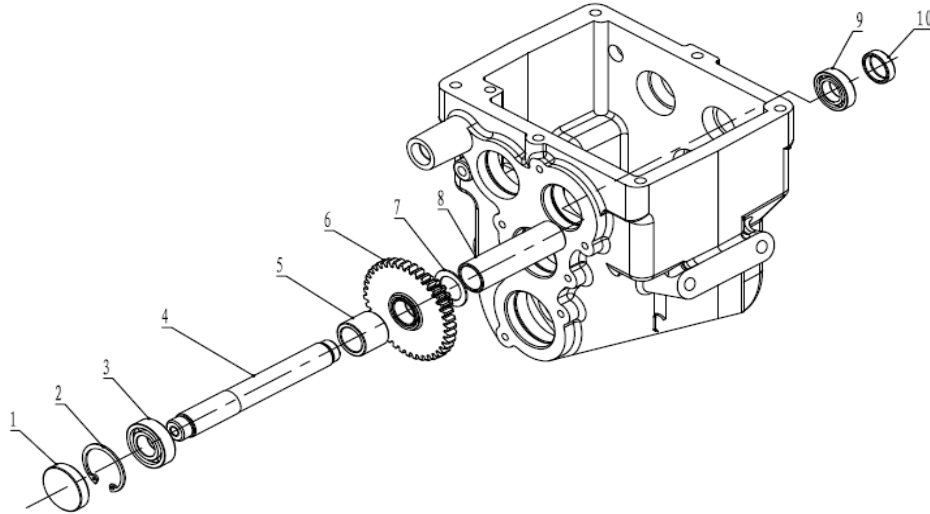


Figura nº	Referencia			Cantidad				
1	2.68.01.000017		End cap oil seal/φ32*7	1				
2	2.63.02.008700		Bearing-GB/T276-1994-6003	1				
3	2.63.02.008600		Bearing-GB/T276-1994-6002	1				
4	2.68.01.000023		Reverse gear shaft	1				
5	2.68.01.000025		Bush B/17.5*24*19.8	1				
6	2.68.01.000028		duplicate gear for reverse (copper sleeve mounted inner) /gear 17/39/module1.75	1				
7	2.63.01.03916		Flat washer-GB/T 93-2002-	1				
8	2.68.01.000031		Bush/A17*21*69.3	1				
9	2.63.02.026100		Deep groove ball Bearing GB/T276-1994 61902	1				
10	2.68.01.000033		End cap oil seal/φ22*6	1				

Transmission case(Secondary gear shaft assy)

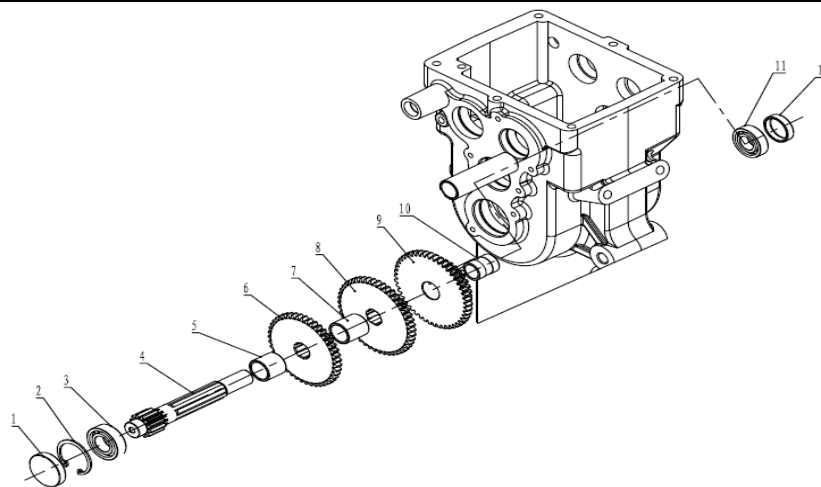


Figura nº	Referencia			Cantidad				
1	2.68.01.000014		End cap oil seal/φ35*7	1				
2	2.07.03.000100		circlip GB/T 893.1 35	1				
3	2.63.02.008700		Bearing-GB/T276-1994-6003	1				
4	2.68.01.000015		countershaft/gear 12/module1.75	1				
5	2.68.01.000016		countershaft Bush B/18.5*23*19.8	1				
6	2.68.01.000018		Driven gear for 3rd gear/gear 43/ module1.75	1				
7	2.68.01.000019		countershaft Bush A/18.5*23*23.3	1				
8	2.68.01.000022		Driven gear for 2ed gear/gear 46/ module1.75	1				
9	2.68.01.000024		Driven gear for 3rd gear/gear 32/46/module1.75	1				
10	2.68.01.000030		Driven duplicate gear Bush for 1st	1				
11	2.63.02.008600		Bearing-GB/T276-1994-6002	1				
12	2.68.01.000032		End cap oil seal/φ28*7	1				

Transmission case(Driving sprocket axle assy)

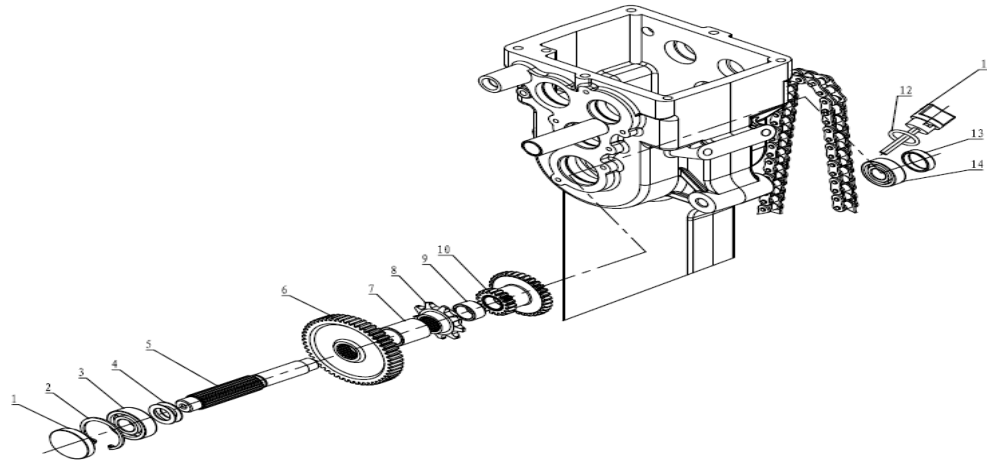


Figura n°	Referencia			Cantidad				
1	2.68.01.000013		End cap oil seal/φ40*7	1				
2	2.07.03.005400		Circlips for shaft-GB/T 894.1-1986-	1				
3	2.63.02.001000		Deep groove ballBearing GB/T276-1994 6203	1				
4	2.63.01.03916		flat washer-GB/T 93-2002-	2				
5	2.68.01.000012		Driving procket axle	1				
6	2.68.01.000010		transmission gear/gear	1				
7	2.68.01.000009		Bush B/20.5*26*28.5	1				
8	2.68.01.000008		Driving sprocket /10A/gear 9	1				
9	2.68.01.000007		Bush/ A17.5*23*11.4	1				
10	2.68.01.000006		Duplicate overtooth gear assy (copper sleeve mounted inside) /gear 18/32/module1.75	1				
11	2.68.01.000034		Oil screw plug	1				
12	2.09.01.009023		O-ring -GB/T 3452.1-2005-φ20*3	1				
13	2.68.01.000032		End cap oil seal/φ28*7	1				
14	2.63.02.000900		Deep groove ballBearing GB/T 276-1994 6202	1				

Transmission case(output axle assy)

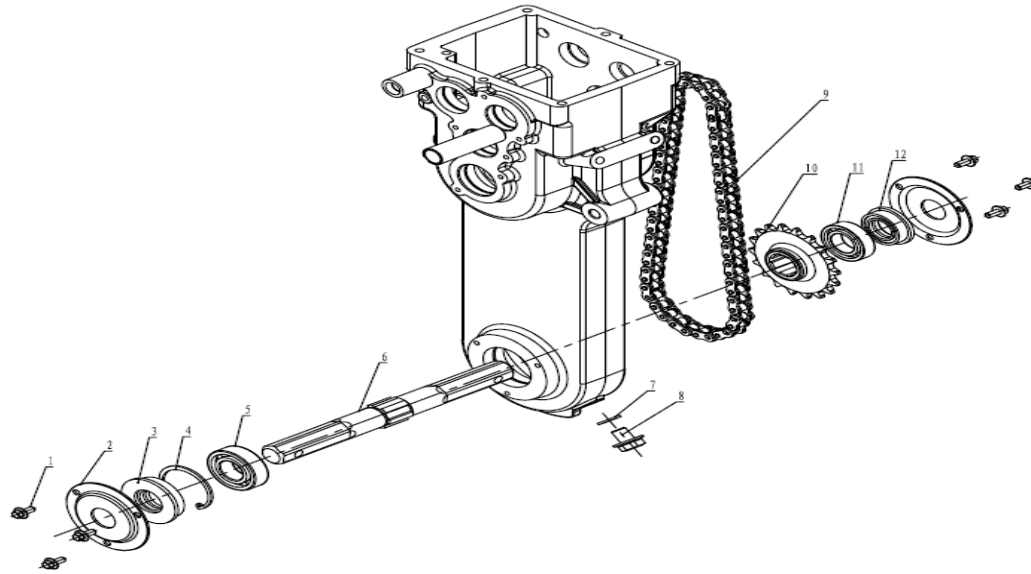


Figura n°	Referencia			Cantidad				
1	2.63.01.01756		Bolt GB/T 16674.1-2004 M6*12	6				
2	2.68.01.000001		output shaft cap	2				
3	2.63.01.03885		oil seal for steel case/25*52*9.5/13	1				
4	2.07.03.000200		circlip GB/T 893.1 52	1				
5	2.63.02.006000		Deep groove ballBearing GB/T276-1994 6205	1				
6	2.68.01.000011		Driven sprocket shaft (total 253)	1				
7	2.68.01.000005		grommet with rubber sleeve	1				
8	2.63.01.02594		oil Bolt-GB/T 16674-2004-M12*12*1.5	1				
9	2.68.01.000003		chain (50 units)	1				
10	2.68.01.000002		Driven sproket/10A/gear 18	1				
11	2.63.02.000800		Deep groove ballBearing GB/T276-1994 6005	1				
12	2.63.01.03884		oil seal for steel case/25*41*9.5/13	1				

Engine

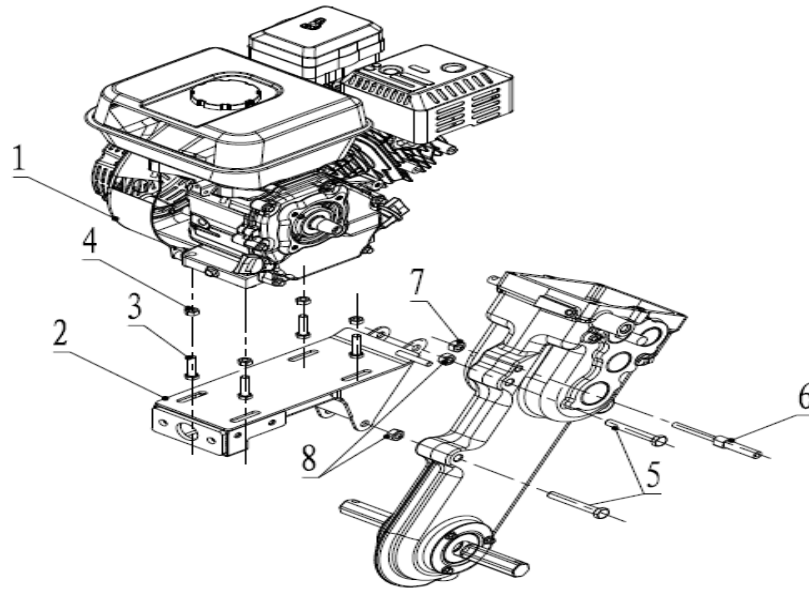


Figura n°	Referencia			Cantidad				
1	5.01.010.001002		Engine: SR170FC/P-2	1				
2	2.04.01.020600		support frame for Enigne	1				
3	2.63.01.01570		Bolt GB/T 16674.1-2004 M8*35	4				
4	2.63.01.01795		Nut GB/T 6177.1-2000 M8	4				
5	2.63.01.02316		Bolt-GB/T 16674.2-2004-M10*70*1.25	2				
6	2.06.04.001400		Tension core shaft/45#/M8(tota120)/(04-07-001-	1				
7	2.63.01.00287		Nut GB/T 6170-2000 M8	1				
8	2.63.01.02932		lock Nut -GB/T 6187.1-2000-M10	2				

Belt transimission assy

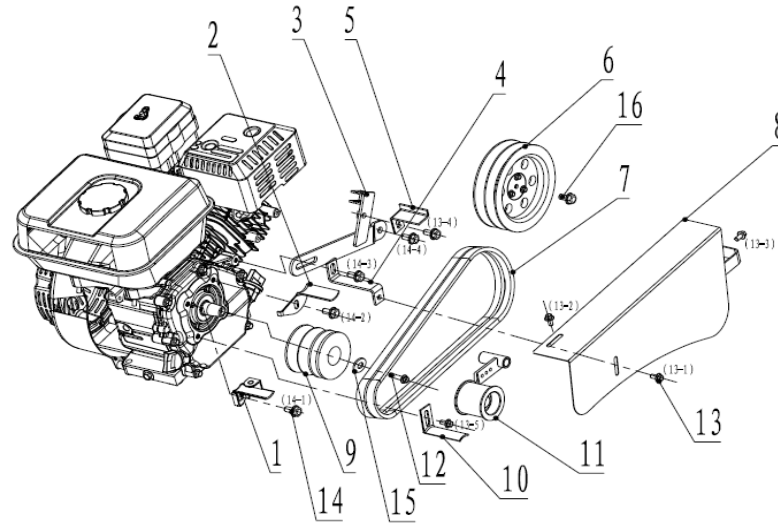


Figura n°	Referencia			Cantidad				
1	2.05.01.025200		Tension block A for double belts	1				
2	2.05.01.025300		Tension block B for double belts	1				
3	2.05.02.005700		Tension cable bracket	1				
4	2.67.01.000458		shield bracket for belt	1				
5	2.05.01.025400		Tension block C for double belts	1				
6	2.67.01.000648		Driven belt pulley	1				
7	2.02.07.000200		Belt/type: 17*940Li(980)	2				
8	2.04.06.028700		Belt shield/RAL3020	1				
9	2.02.08.003700		Driving belt pulley/φ76	1				
10	2.05.01.025500		Tension block D for double belts	1				
11	2.67.01.000134		Tension pulley	1				
12	2.63.01.01815		Bolt GB/T16674.1-2004-M8*40	1				
13	2.63.01.01756		Bolt GB/T 16674.1-2004 M6*12	5				
14	2.63.01.01808		Bolt GB/T 16674.1-2004 M8*16	4				
15	2.63.01.02546		flat washer-GB/T 96.2-2002-8*28*2	1				
16	2.63.01.00203-1		Bolt GB/T 16674.1-2004 M8*20	件	1			

Armrest lock assy

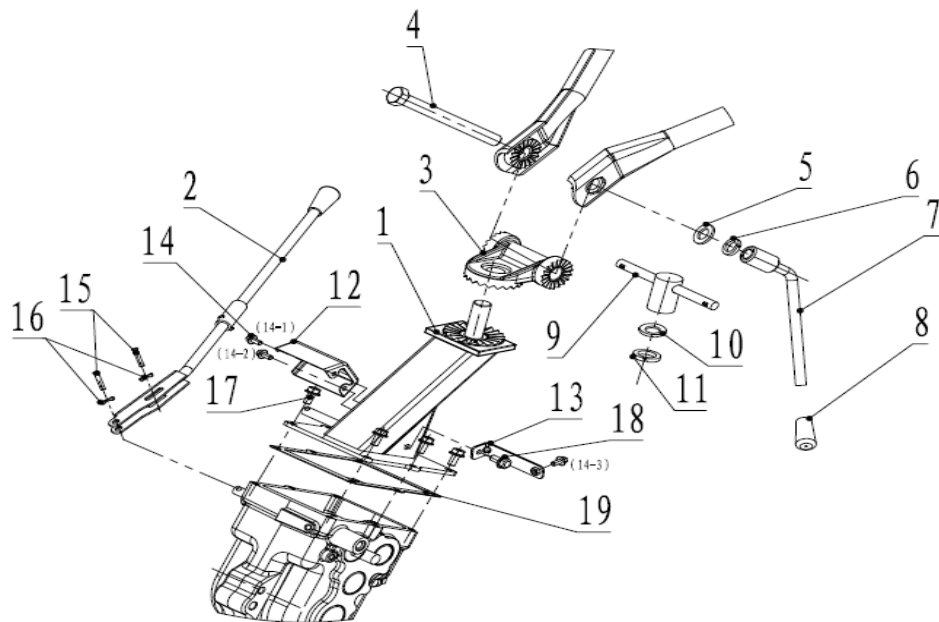


Figura n ^a	Referencia			Cantidad				
1	2.04.09.057400		Armrest socket/80(3+1)	1				
2	2.03.01.011800		Gear shift rod	1				
3	2.04.10.011200		Gear plate/ZG270-500/big 20 teeth,double small 18 teeth /RAL3020	1				
4	2.63.01.02315		Bolt/(GB/T 5782-2000 M16*150*2)	1				
5	2.63.01.02323		flat washer-GB/T 97.1-2002-16*32*2	1				
6	2.63.01.02326		Spring lock washer-GB/T 93-1987-16*24*4	1				
7	2.67.02.000068		Lifting lock handle/M16*35 – φ12	1				
8	2.67.02.000091		Rubber sleeve,Lifting lock handle/NBR – HA65	1				
9	2.03.06.001800		lock handle for gear plate/M20*30 – φ12	1				

10	2.63.01.02327		Spring lock washer-GB/T 93-1987-20*32*5		1				
11	2.63.01.02322		flat washer-GB/T 97.1-5-2002-φ20		1				
12	2.05.02.005600		Gearshift rod shield/80(3+1)		1				
13	2.06.06.001200		Belt shield bracket /80(3+1)		1				
14	2.63.01.01756		Bolt GB/T 16674.1-2004 M6*12		3				
15	2.63.01.02474		Type B Pin axle with hole-GB/T-882-2008-5*25		2				
16	2.63.01.02476		Type B splitpin 1*1.6*18		2				
17	2.63.01.00203-1		Bolt GB/T 16674.1-2004 M8*20		6				
18	2.63.01.02846		Bolt,Flat head inner hexagonal -GB/T 2673-1986-M8*20		1				
19	2.09.05.008100		Gearbox paper washer		1				

Armrest frame

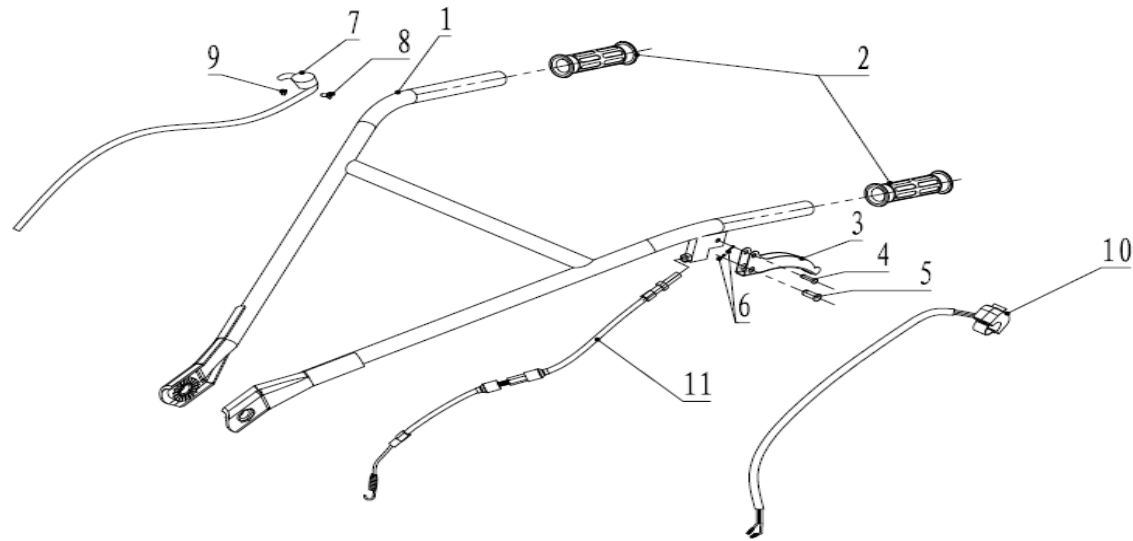


Figura nº	Referencia			Cantidad				
1	2.67.02.000425		Armrest frame	2				
2	2.67.02.000092		Rubber sleeve,Armrest frame	1				
3	2.03.05.007500		clutch lever/ST12 t=1.2	1				
4	2.06.01.004500		clutch lever pin-φ7*22	1				
5	2.06.01.004600		cable pin-φ10*22	4				
6	2.63.01.02098		splitpin-GB/T 91-2000-1.6*20	1				
7	2.08.01.011700		Throttle switch assy	1				
8	2.63.01.02507		Cross recessed disc head screw-GB/T 818-2000-M5*35	1				
9	2.63.01.02091		Nut GB/T 6170-2000 M5	1				
10	2.10.03.003300		Turn off switch assy	1				
11	2.08.02.033000		clutch cable	1				

Towing body

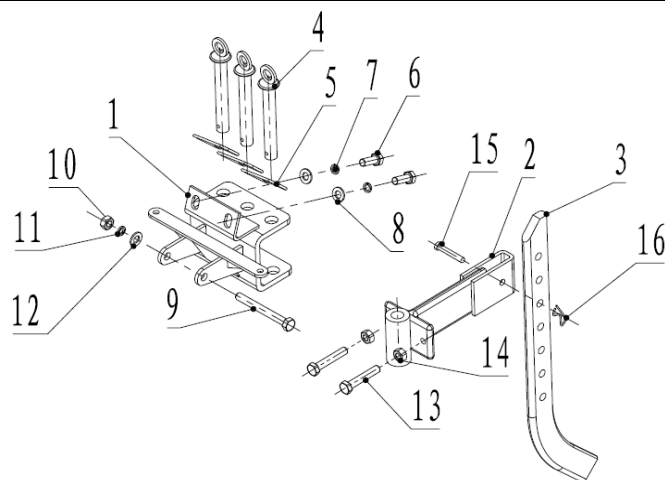


Figura nº	Referencia			Cantidad				
1	2.04.11.010000		U type towing body/80(3+1)	1				
2	2.67.01.000463		Speed lever connecting frame	1				
3	2.04.13.005200		speed control rod/65Mn(HRC35 – HRC42)	1				
4	2.67.02.000076		large suspension pin	3				
5	2.63.01.02477		Type B splitpin/φ3.5*13*81	3				
6	2.63.01.02319		Bolt-GB/T 5783-2000-M10*25*1.5	2				
7	2.63.01.01992		Spring lock washer-GB/T 93-1987-	2				
8	2.63.01.03669		flat washer-GB/T848-2002-φ10/ A级	2				
9	2.63.01.02018		Bolt-GB/T 5782-2000-M10*85	1				
10	2.63.01.01777		Nut-GB/T 6170-2000-M10*1.5	1				
11	2.63.01.01992		Spring lock washer-GB/T 93-1987-	1				
12	2.63.01.03669		flat washer-GB/T848-2002-φ10/ A级	1				
13	2.63.01.02317		Bolt-GB/T 5783-2000-M10*55*1.5	2				
14	2.63.01.01777		Nut-GB/T 6170-2000-M10*1.5	2				
15	2.63.01.02475		Type B Pin with hole-GB/T-882-2008-8*45	2				
16	2.63.01.02385		Type B splitpin/φ2*9*38	2				

Mud guard

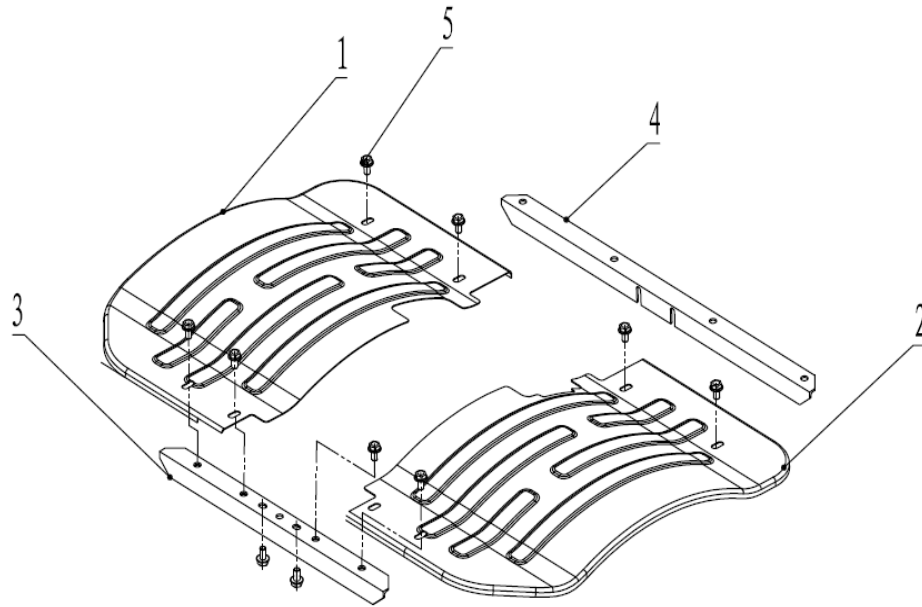


Figura n°	Referencia			Cantidad				
1	2.04.04.091200		Mud guard-left	1				
2	2.04.04.091300		Mud guard-right	1				
3	2.04.05.051300		front support, mud guard	1				
4	2.04.05.051400		back support, mud guard	1				
5	2.63.01.01808		Bolt GB/T 16674.1-2004 M8*16	10				

Fr support

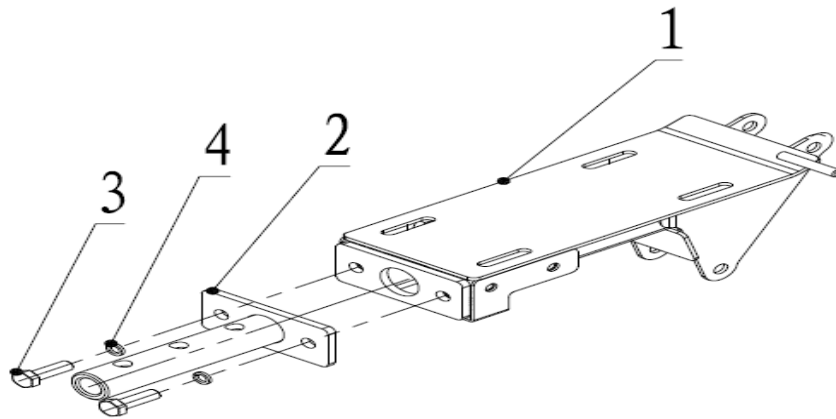


Figura n°	Referencia			Cantidad				
1	2.04.01.020600		Engine support/80(3+1)	1				
2	2.04.01.016300		connecting rod	1				
3	2.63.01.03639		Hexagon head bolt, full thread-GB/T 5783-2000-M10*30	2				
4	2.63.01.01992		Spring lock washer-GB/T 93-1987-φ10	2				

Tire 1

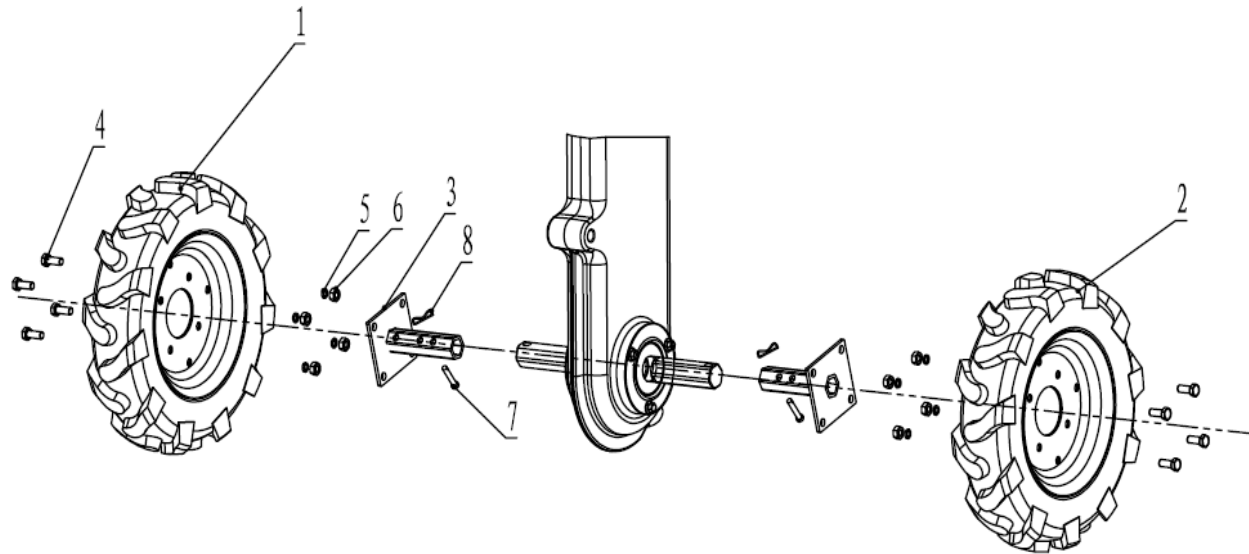


Figura n°	Referencia			Cantidad				
1	2.11.05.017500		4.00-8 Tire assy,left/including cover tire and inner tube(without axle)	1				
2	2.11.05.017600		4.00-8 Tire assy,right/including cover tire and inner tube(without axle)	1				
3	2.11.04.007600		4.00-8 wheel axle	2				
4	2.63.01.02319		Bolt-GB/T 5783-2000-M10*25*1.5	8				
5	2.63.01.01992		Spring lock washer-GB/T 93-1987-	8				
6	2.63.01.01777		Nut-GB/T 6170-2000-M10*1.5	8				
7	2.63.01.02475		Type B pin axle with hole -GB/T-882-2008-8*45	2				
8	2.63.01.02385		Type B splitpin/φ2*9*38	2				

Tire 2

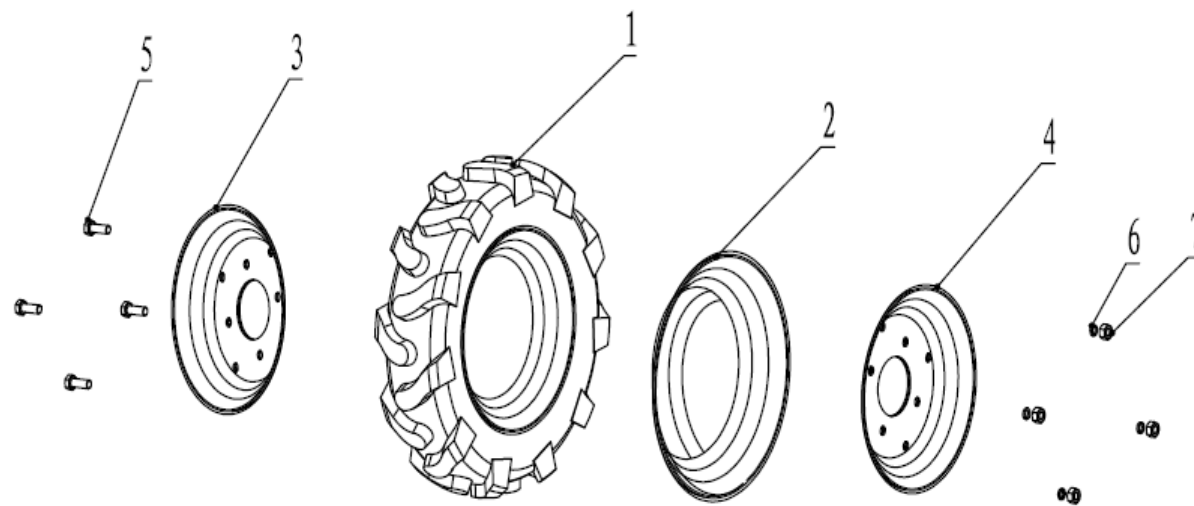


Figura nº	Referencia	英文名	Cantidad					
1	2.11.02.000300	cover tire-400-8	2					
2	2.11.01.000300	inner tube	2					
3	2.11.03.009100	wheel spoke-left-PT427C	2					
4	2.11.03.009200	wheel spoke-right-PT427C	2					
5	2.63.01.02335	Bolt-GB/T 5783-2000-M8*25	8					
6	2.63.01.01705	Spring lock washer GB/T 93-1987 Φ8	8					
7	2.63.01.00287	Nut GB/T 6170-2000 M8	8					

Blades

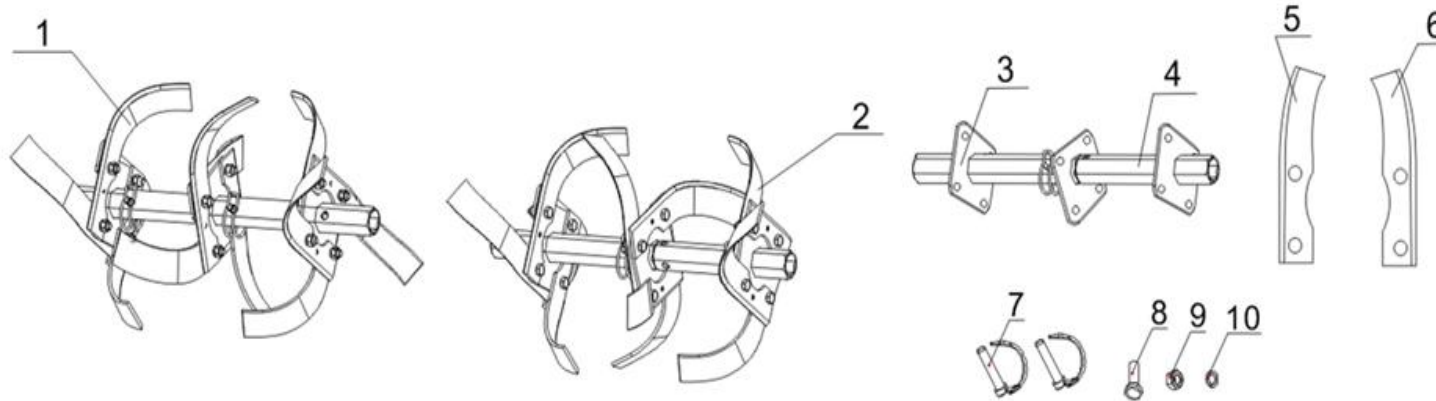
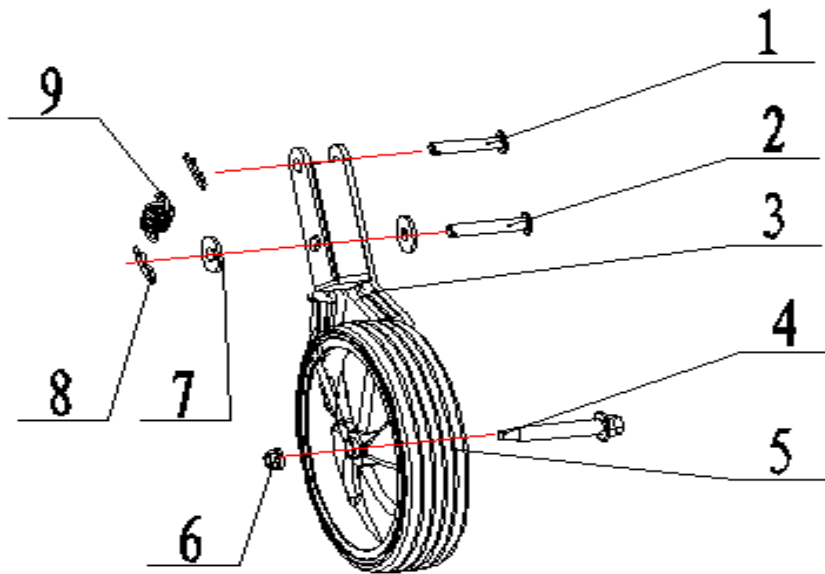


Figura nº	Referencia			Cantidad				
1	2.67.01.000622		Tillage blade-left 23mm/3-4(12	1				
2	2.67.01.000623		Tillage blade-right 23mm/3-4(12 blades)	1				
3	2.67.01.000500		main blade cylinder/23mm	2				
4	2.67.01.000501		secondary blade cylinder/23mm	2				
5	2.67.01.000502		blade/left/60Si2Mn	12				
6	2.67.01.000503		blade/right/60Si2Mn	12				
7	2.63.01.02568		shaft pin/φ8*40 (SR1Z-DJ-23H 21-04- 01-002-0/0)	4				
8	2.63.01.02335		Bolt-GB/T 5783-2000-M8*25	24				
9	2.63.01.00287		Nut GB/T 6170-2000 M8	24				
10	2.63.01.01705		Spring lock washer GB/T 93-1987 Φ8	24				



1	2.63.01.02475		B pin shaft with hole -GB/T882-2008-8*45	1				
2	2.63.01.02941		B pin shaft with hole -GB/T882-2008-10*50	1				
3	2.04.03.007901		front wheel support	1				
4	2.04.03.007902		bolt --M8*φ12	1				
5	2.04.03.007900		front wheel	1				
6	2.63.01.02932		nut -GB/T 6187.1-2000-M10	1				
7	2.63.01.02771		Flat washer φ10*φ30*2	2				
8	2.63.01.02385		B cotter pin	2				
9	2.04.03.007903		front wheel spring	1				

