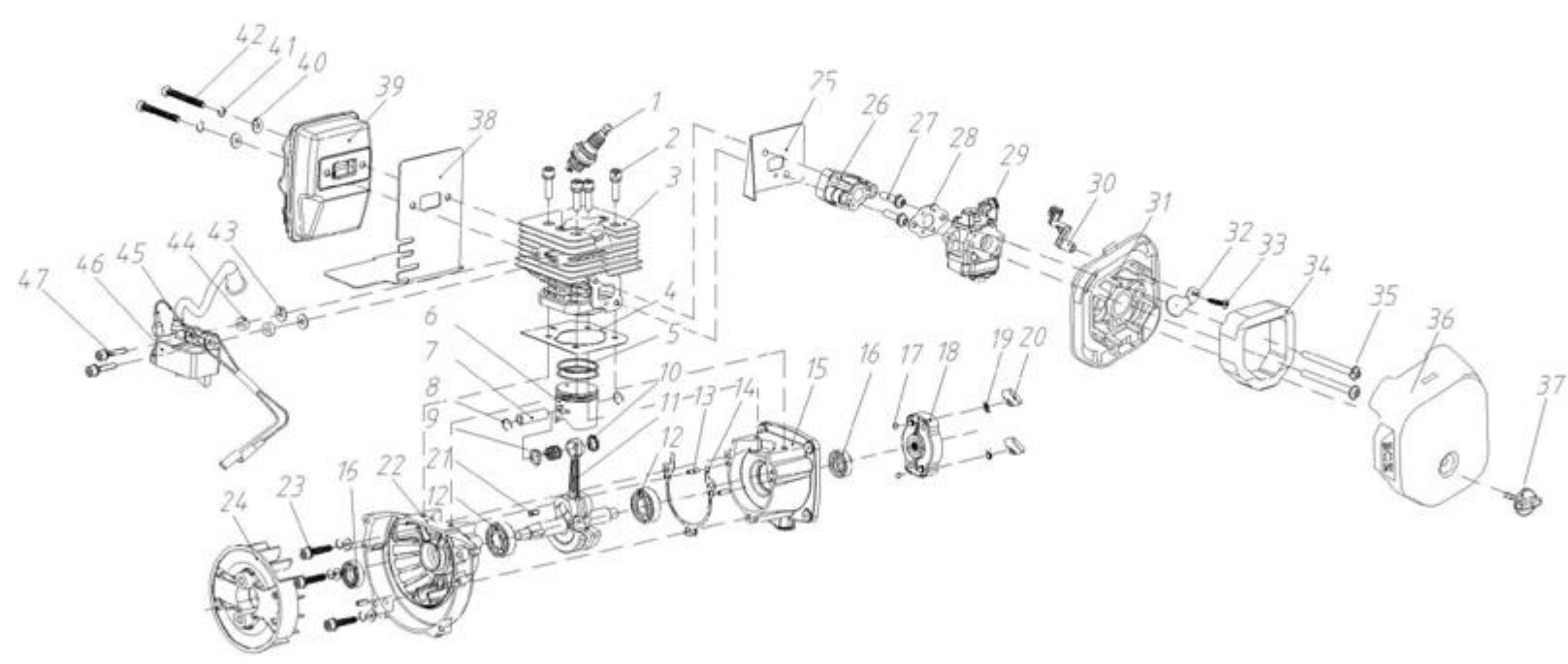


EB260 (motor)

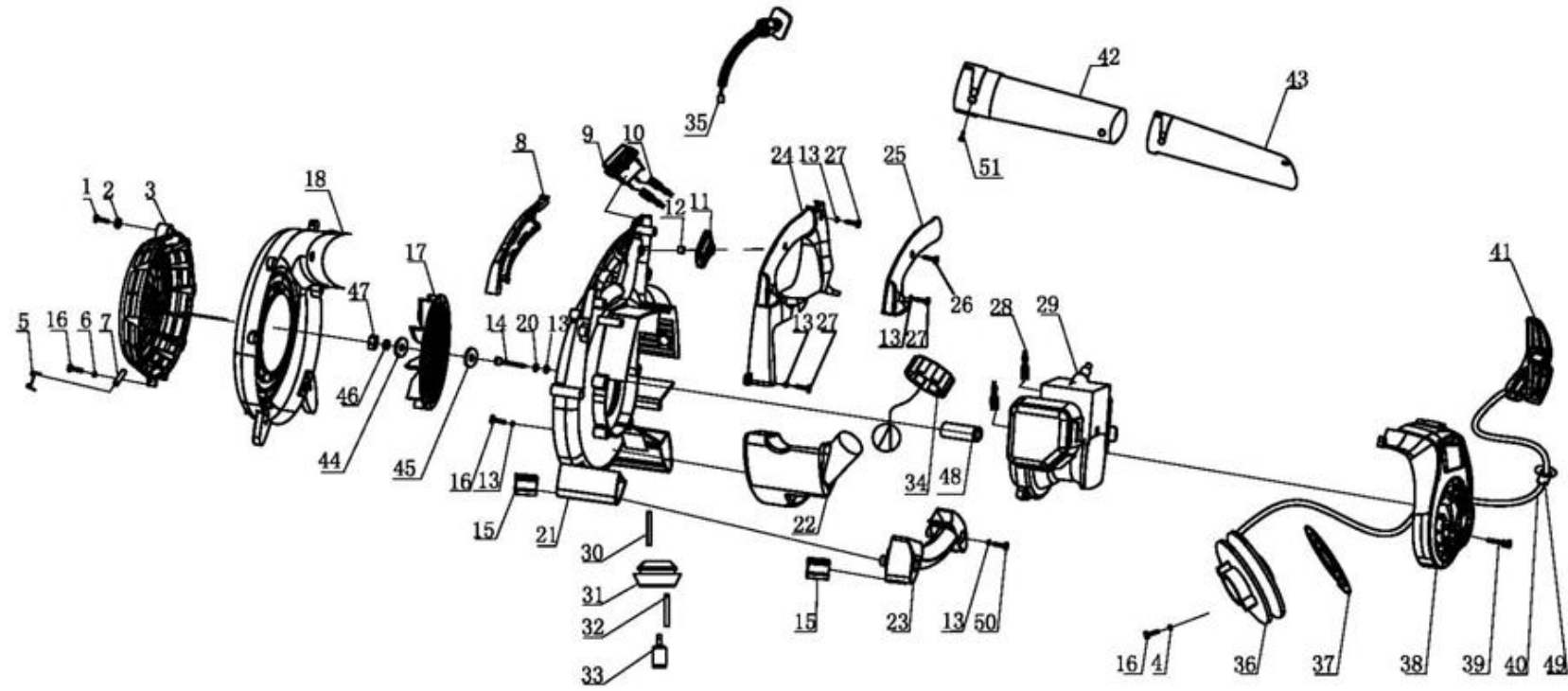


EB260 (motor)

FIGURA	RREFERENCIA			DENOMINACION	CANTIDAD
1-16	03100010009	0047	12X22X7	Oil seal 12X22X7	2
1-12	03090010028	0473	6001/P5	Bearing 6001/P5	2
1-9	03090020018	0498	8*11*9	Needle bearing	1
1-5	02020020003	0508		Ring, piston	2
1-7	02020010004	0513	8X28	Pin, piston 8X28	1
1-34	02090010011	0745		Air filter element	1
1-39	02050010018	0900		Muffler assy	1
1-46	02050030024	0919		Ignition coil comp	1
1-38	02070010141	0955		Gasket, muffler	1
1-3	70070130011	0956		Cylinder	1
1-45	02050050141	0957		Stop wire	1
1-36	70030040078	0963		Cover, cleaner	1
1-37	70030180012	1000		Knob, cover	1
1-30	70030040038	1028		Choke Handle	1
1-29	02050020045	1067		Carburetor comp	1
1-28	02070010061	1154		Gasket, carburetor	1
1-26	02110030031	1190		Insulator	1
1-32	70030040028	1339		Choke	1
1-31	70080120007	1355		Cleaner inside cover	1
1-27	03020020012	1848	GB9074. 4	Bolt assy M5X20	2
1-24	02050030018	1957		Rotor	1
1-10	02020150007	3355		Washer, thrust	2
1-44	02070010048	3477	E1001 7211A	Space, ig coil	2
1-1	03130010013	3480	RCJ6Y	Spark plug RCJ6Y	1
1-33	03010040008	4238	ST4×10	Bolt ST4×10	1
1-47	03020020013	4242	GB9074. 4	SCREW M4X20	2
1-23	03010010045	4373	GB70	Bolt M5X30	3
1-35	03020020030	4402	M5X60	Bolt assy M5X60	2

1-43	03040010007	4451	GB96	Washer 4	2
1-42	03010010049	4459	GB70	SCREW M5X50	2
1-8	02020030017	4555		Ring, snap	2
1-21	03070010001	4562		Woodruff key	1
1-13	03060010002	4567	GB119	PIN B3X10	2
1-11	02020120026	4653		Crank shaft assy	1
1-2	03010010061	5711		Bolt M5X20	4
1-19	02020110088	5774		Starter pawl spring	2
1-17	03120030003	6074		Stop ring	2
1-6	02010020006	6457		Piston	1
1-18	70070080010	6468		Starter pulley	1
1-40	03040020019	6536	5	Washer 5	2
1-25	02070010078	7389		Gasket, insulator	1
1-4	02070010020	7431		Gasket, cylinder	1
1-14	02070010110	7433		Gasket, crankcase	1
1-22	70070050001	7437		Front crankcase	1
1-15	03050010014	7813	GB93	Rear crankcase	1
1-41	03050010014	7813	5	Washer 5	3
1-20	70030140014	8575		Starter pawl	2

EB260 (soplador)



EB260 (soplador)

Figura	Referencia			NOMBRE	Cantidad
1-33	02050120002	0554		FILTER CLEANER	1
1-31	02080030025	0709		FUEL PIPE RUBBER BUNG	1
1-41	70030140013	1079		STARTER HANDLE	1
1-29	51010040002	2415		GASOLING ENGING	1
1-32	01040010014	2718	(L=220)	INLET FUEL PIPE (L=220)	1
1-44	03040010014	2994	8	φ 8	1
1-40	01050010009	3517		STARTER POPE	1
1-48	02040030020	3785		BUSHING	1
1-4	03040050022	4109		WASHER	1
1-50	03010060076	4237	M5×30	SCREW M5×30	2
1-47	03030020002	4243	M8×1	NUT M8×1	1
1-6	03040050017	4263	6	WASHER 6	1
1-46	03050010007	4281	8	WASHER 8	1
1-51	03020020018	4358	M5×10	SCREW M5×10	1
1-14	03010010045	4373	M5×30	SCREW M5×30	4
1-1	03010060059	4387	GB818	M4*14	1
1-16	03010060078	4388	M5×10	SCREW M5×10	4
1-2	03040010007	4451	GB96	φ 4	1
1-39	03020020041	4483	M5×30	SCREW M5×30	3
1-12	02020160398	5280		THROTTLE LEVER SHAFT	1
1-5	02020110048	5281		WREST SPRING	1
1-7	02020160312	5282		WREST SPRING SHAFT	1

1-15	02020160117	5283		PEDESTAL	4
1-8	02080020046	5285		LEFT HANDLE RUBBER COVER	1
1-25	02080020046	5285		RIGHT HANDLE RUBBER COVER	1
1-9	02050050111	5292		STOP SWITCH COMP	1
1-10	02050050171	5295		STOP WIRE	1
1-28	02050050171	5295		SHORT STOP WIRE	2
1-35	02050040087	5296		THROTTLE WRIE COMP	1
1-42	70050010066	5302	A	BLOW THE BREEZE TUBE A	1
1-24	70030160048	5303		UPPER HANDLE	1
1-23	70030160093	5304		LOWER HANDLE	1
1-11	70030070109	5305		THROTTLE LEVER HANDLE	1
1-43	70050010067	5306	B	BLOW THE BREEZE TUBE B	1
1-21	70030010055	5311		FRONT COCHLEA CASE	1
1-18	70030010071	5312		REAR COCHLEA CASS	1
1-3	70030030303	5313		FAN NET COVER	1
1-22	70050030063	5316		FUEL TANK	1
1-17	70030090006	5317		IMPELLER	1
1-36	02060020003	5349		STARTER POPE REEL	1
1-49	02050070048	5402		GUIDE, rope	1
1-38	70080100004	5907	021C	EBV260BN	1
1-13	03040020020	6536		WASHER 5	5
1-26	03010040017	6622	4. 2×10	ST4. 2×10	1
1-27	03010040057	7048	QC/T713-2004	NST5*20	4
1-45	03040050005	7493	23*8*1	WASHER 23*8*1	1
1-34	02110020026	7560		37F	1

1-20	03050010015	7813	5	WASHER 5	4
1-19	03010040048	7917	NST5*16	QC/T713	8
1-30	01040010003	8600	(L=70)	RETURN FUEL PIPE (L=70)	1
1-37	02060020009	8973		COLE SPRING	1