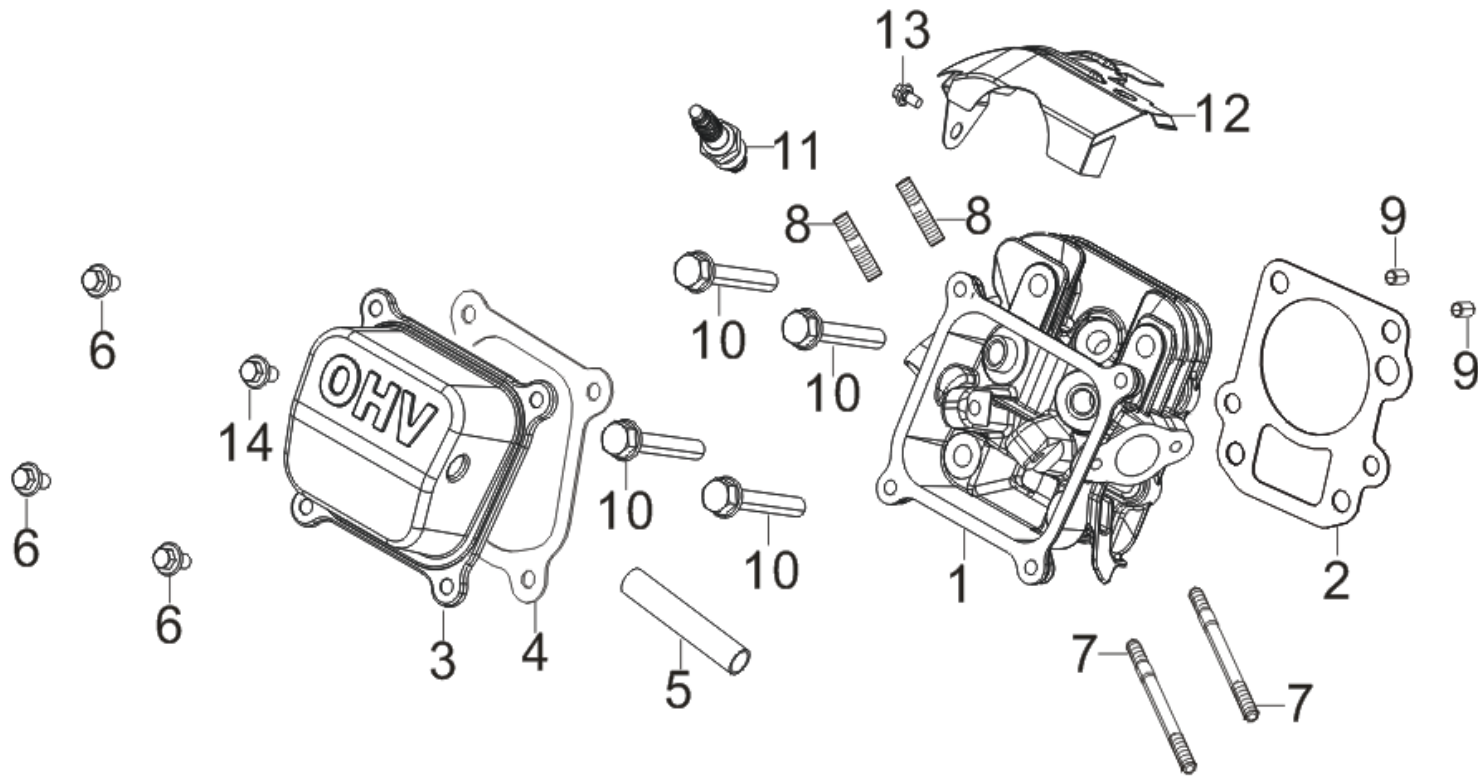


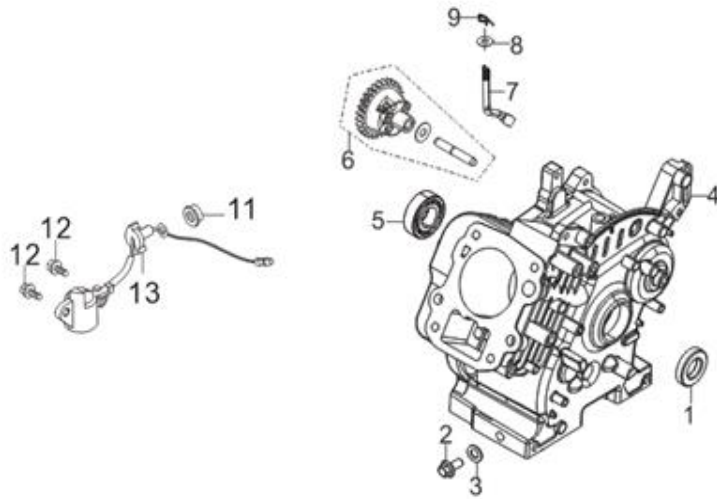
Motor 4T. FANTON R80-V

FIG.1 HEAD SUBASSEMBLY, CYLINDER / PLUG, SPARK (E04)



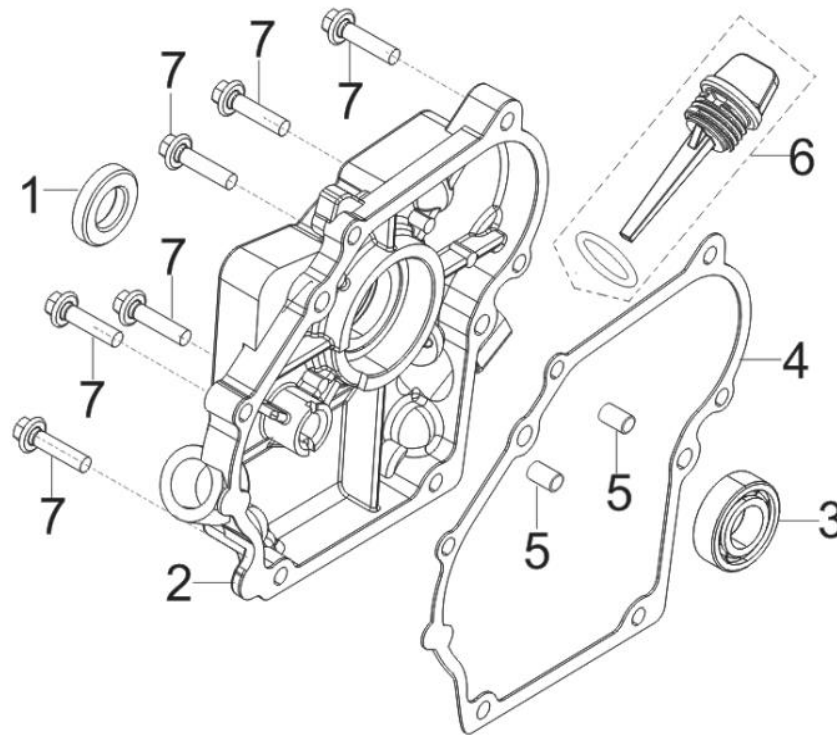
REF.NO.	PART NO		DESCRIPTION	PEDIDO
E04-1	12140-Z0M0110-0BA0		HEAD SUBASSEMBLY, CYLINDER	
E04-2	12131-Z210110-00A0		GASKET, CYLINDER HEAD	
E04-3	12410-Z0M0110-00A0		COVER SUBASSEMBLY, CYLINDER HEAD	
E04-4	12004-Z0M0110-00A0		CYLINDER HEAD COVER GASKET	
E04-5	17004-Z0M0310-00A0		TUBE, BREATHER	
E04-6	90001-0612-01A0		HEXAGON SOCKET FLANGE FACE BOLT - SMALL SERIES	
E04-7	90204-Z010210-00A0		STUD BOLT	
E04-8	90203-Z010110-00A0		STUD BOLT	
E04-9	90502-0814-00A0		POSITION PIN - TYPE A	
E04-10	12003-Z510110-00A0		CYLINDER HEAD BOLT	
E04-11	30010-Z350210-00A0		PLUG, SPARK	
E04-12	19304-Z510310-00A0		SHROUD, CYLINDER BODY	
E04-13	90001-0610-01A0		HEXAGON SOCKET FLANGE FACE BOLT - SMALL SERIES	
E04-14	90001-0614-01A0		HEXAGON SOCKET FLANGE FACE BOLT - SMALL SERIES	

FIG.2 CRANKCASE. / GEAR ASSY, GOVERNOR. (E17)



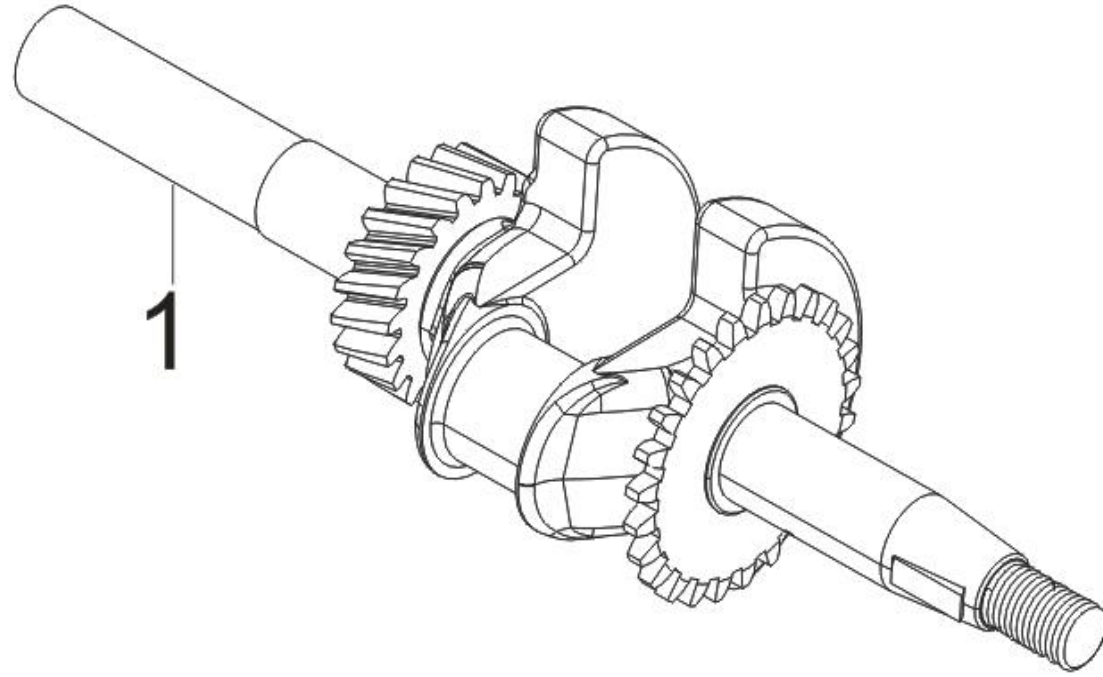
REF.NO.	PART NO		DESCRIPTION	PEDIDO
E17-1	90682-Z510110-00A0		SEAL, OIL	
E17-2	11007-Z010110-00A0		BOLT, DRAIN PLUG	
E17-3	90408-Z010110-00A0		FLAT WASHER - GRADE A	
E17-4	11310-Z210711-0BA0		CRANKCASE SUBASSEMBLY.	
E17-5	90548-0203-CLA0		DEEP GROOVE BALL BEARING	
E17-6	16400-Z210110-00A0		GEAR ASSY, GOVERNOR	
E17-7	16061-Z510210-00A0		ARM, GOVERNOR	
E17-8	90408-Z010210-00A0		FLAT WASHER	
E17-9	90501-Z010110-00A0		COTTER PIN	
E17-11	90305-Z010210-01A0		HEXAGON NUT WITH FLANGE	
E17-12	90001-0614-01A0		BOLT	
E17-13	37060-Z510140-00A0		SENSOR, ENGINE OIL	

FIG.3 COVER SUBASSEMBLY, CRANKCASE (E01)



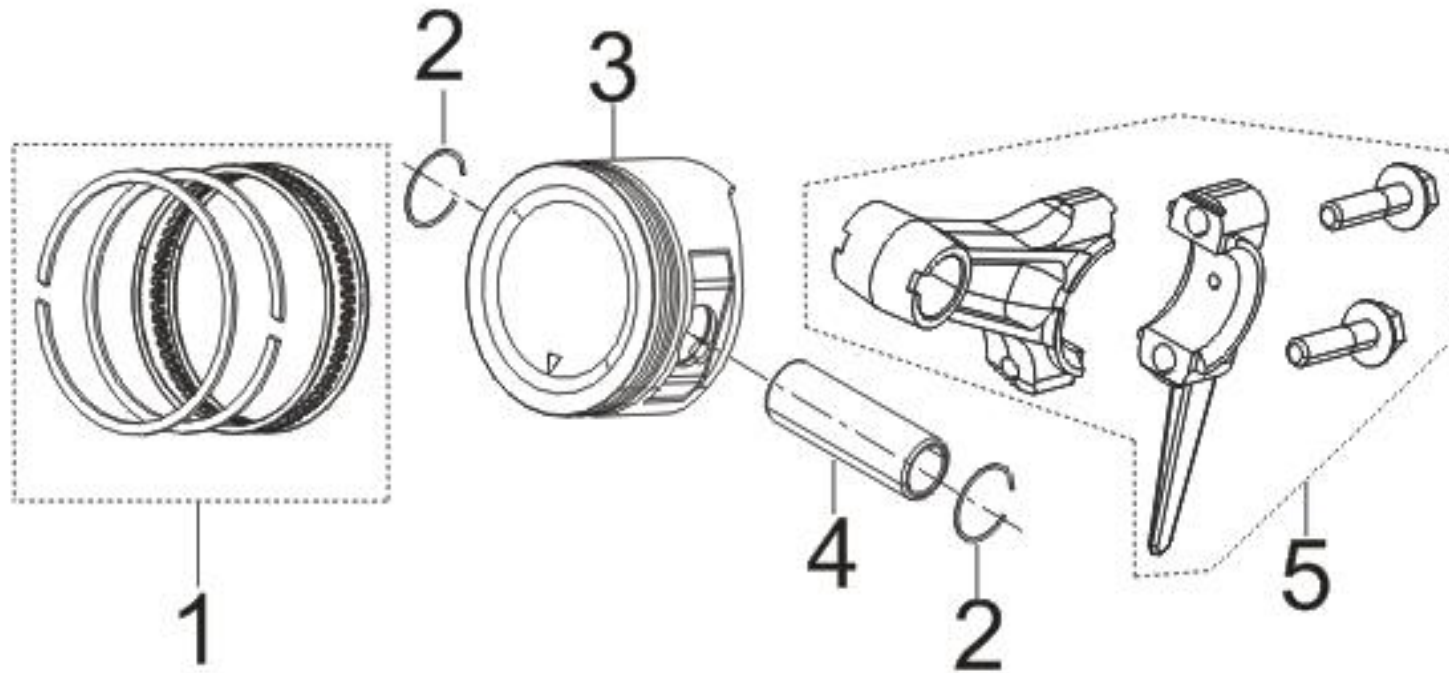
REF.NO.	PART NO		DESCRIPTION	PEDIDO
E01-1	90682-Z510110-00A0		SEAL, OIL	
E01-2	11411-Z510111-0BA0		COVER, CRANKCASE	
E01-3	90548-0303-CLA0		DEEP GROOVE BALL BEARING	
E01-4	11001-Z510130-00A0		GASKET, CRANKCASE	
E01-5	90502-0812-00A0		POSITION PIN - TYPE A	
E01-6	15010-Z510140-Q5A0		DIPSTICK SUBASSEMBLY, OIL	
E01-7	90001-0625-01A0		HEXAGON SOCKET FLANGE FACE BOLT - SMALL SERIES	

FIG.4 ROD,CRANKSHAFT CONNETING (E03)



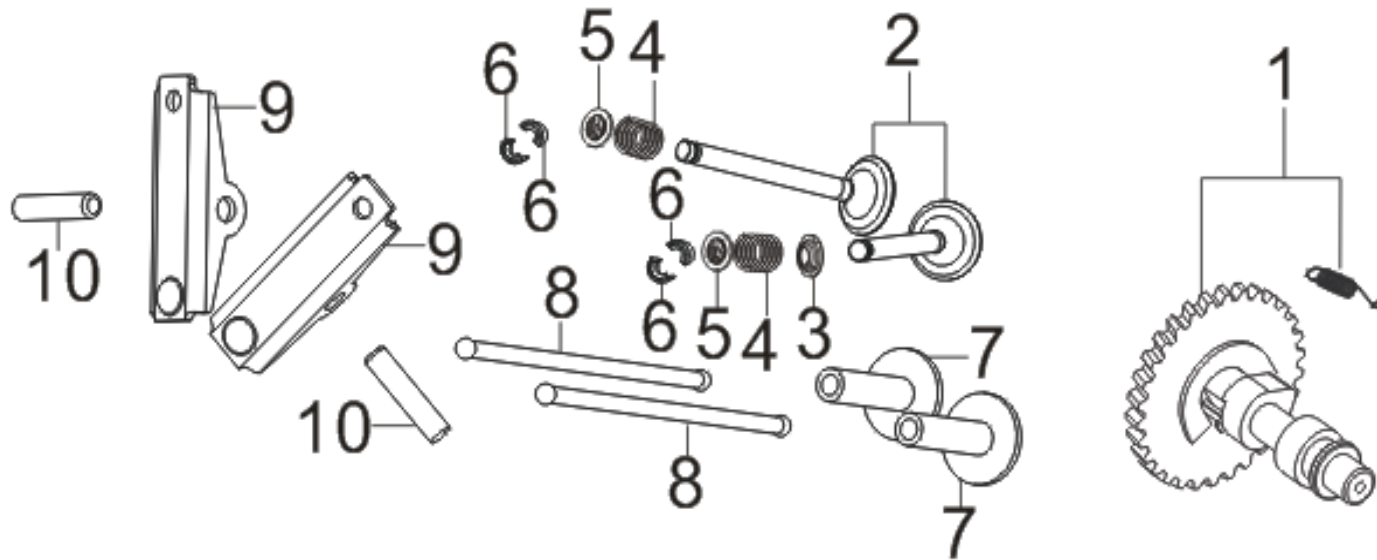
REF.NO.	PART NO		DESCRIPTION	PEDIDO
E03-1	13300-Z212210-00A0		CRANKSHAFT ASSY.	

FIG.5 RING SET,OIL / ROD,CRANKSHAFT CONNETING (E03)



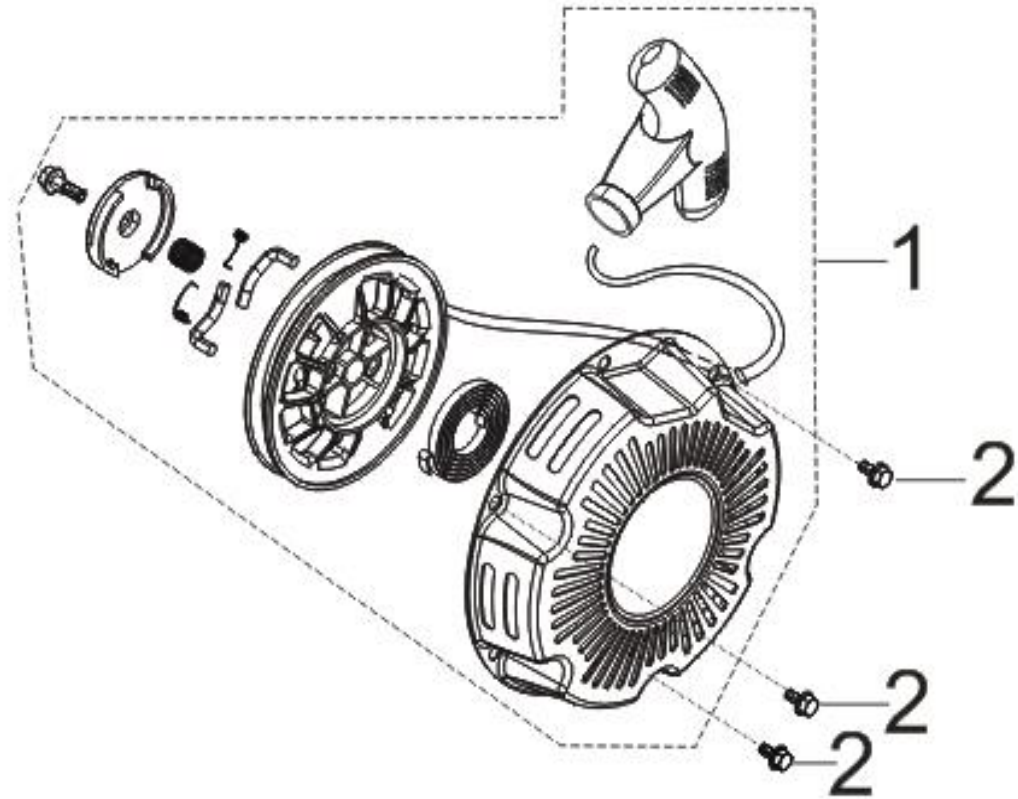
REF.NO.	PART NO		DESCRIPTION	PEDIDO
E04-1	13200-Z450210-00A0		RING ASSY, PISTON	
E04-2	13122-Z450110-00A0		CLIP, PISTON PIN	
E04-3	13111-Z0M0110-00A0		PISTON	
E04-4	13121-Z450110-00A0		PIN, PISTON	
E04-5	13010-Z210110-00A0		ROD, CONNECTING	

FIG.6 TRAIN,VALVE / CAMSHAFT SUBASSEMBLY (E05)



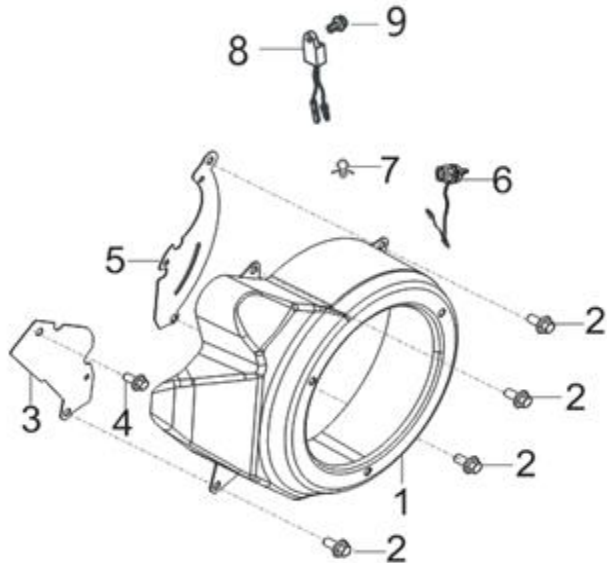
REF.NO.	PART NO		DESCRIPTION	PEDIDO
E04-1	14200-Z0M0110-00A0		CAMSHAFT ASSY.	
E04-2	12110-Z0M0110-00A0		VALVES SET	
E04-3	12101-Z810210-00A0		GUIDE, SEAL	
E04-4	12103-Z510110-00A0		SPRING, VALVE	
E04-5	12112-Z810210-00A0		SEAT, VALVE SPRING	
E04-6	12109-Z810110-00A0		CLAMP, VALVE LOCK	
E04-7	14081-Z010110-00A0		TAPPET, VALVE	
E04-8	14071-Z0M0110-00A0		LIFTER, VALVE	
E04-9	14310-Z0M0110-00A0		ROCKER SUBASSEMBLY, VALVE	
E04-10	14318-Z950110-00A0		SHAFT, VALVE ROCKER	

FIG.7 STARTER,RECOIL (E08)



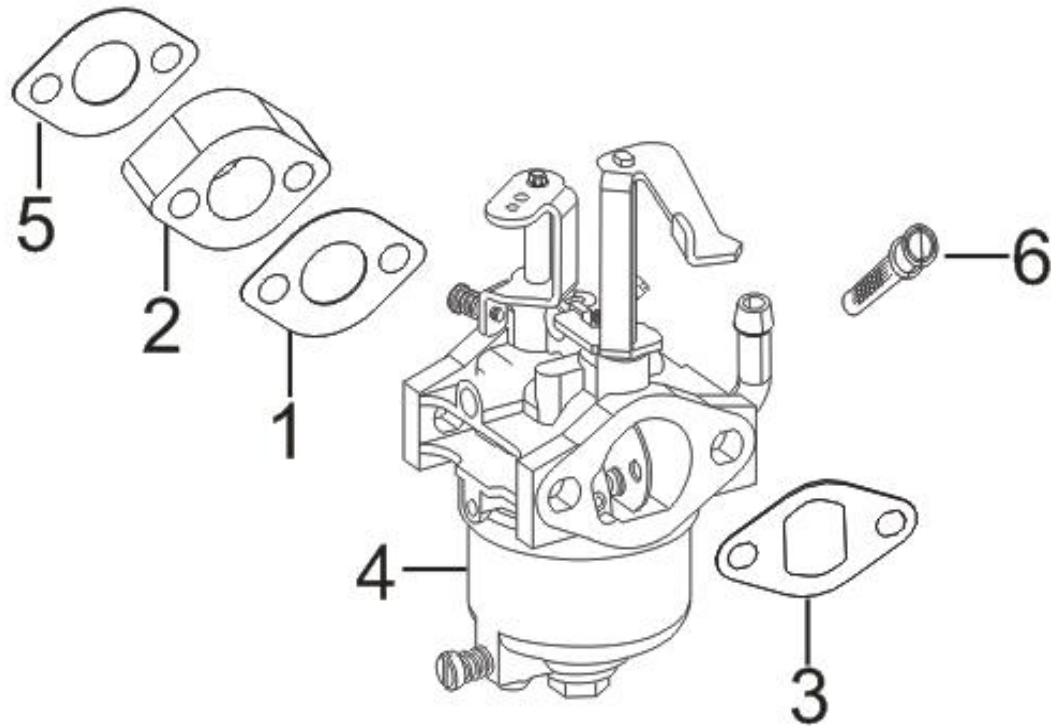
REF.NO.	PART NO		DESCRIPTION	PEDIDO
E08-1	28200-Z510210-VC00		STARTER ASSY, RECOIL	
E08-2	90001-0608-01		HEXAGON SOCKET FLANGE FACE BOLT - SMALL SERIES	

FIG.8 SHROUD / SHIELD,LOWER (E14)



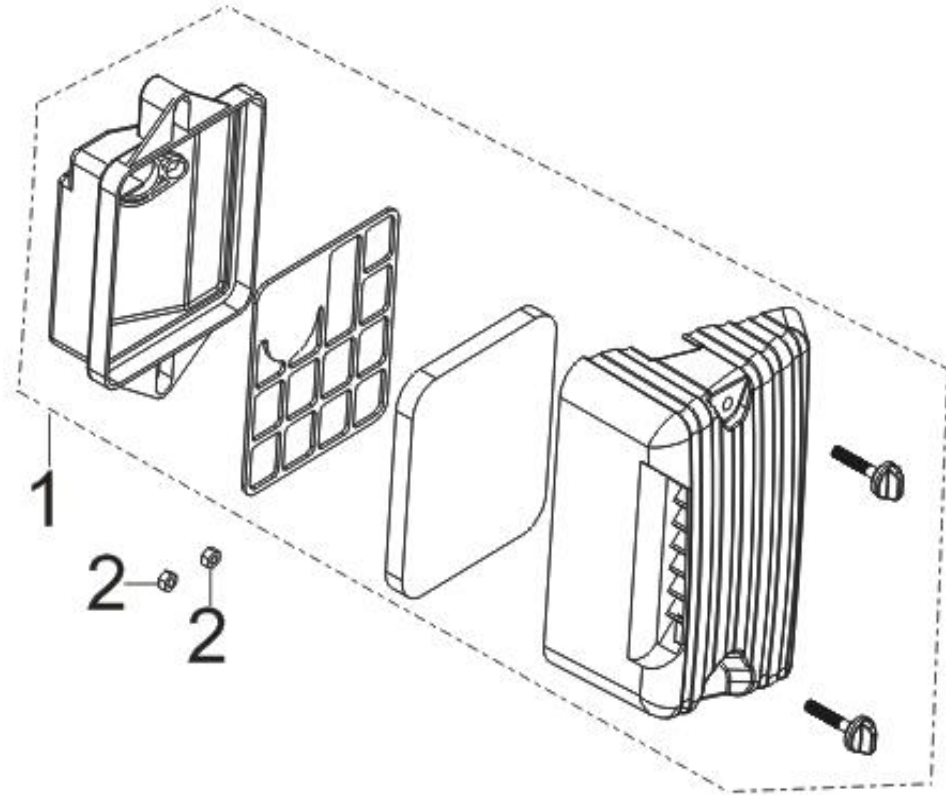
REF.NO.	PART NO		DESCRIPTION	PEDIDO
E14-1	28110-Z510110-VC00		SHROUD	
E14-2	90001-0612-01A0		HEXAGON SOCKET FLANGE FACE BOLT - SMALL SERIES	
E14-3	19306-Z510110-00A0		DEFLECTOR, CRANKCASE AIR	
E14-4	90001-0610-01A0		HEXAGON SOCKET FLANGE FACE BOLT - SMALL SERIES	
E14-5	30028-Z510110-00A0		SHIELD, SHROUD	
E14-6	35540-Z060140-QGA0		SWITCH SUBASSEMBLY, STOP ENGINE	
E14-7	90684-Z250110-00A0		WIRE CLIP	
E14-8	37050-Z010210-00A0		PROTECTOR, OIL	
E14-9	90001-0610-01A0		BOLT	

FIG.9 CARBURETOR ASSY. (E11)



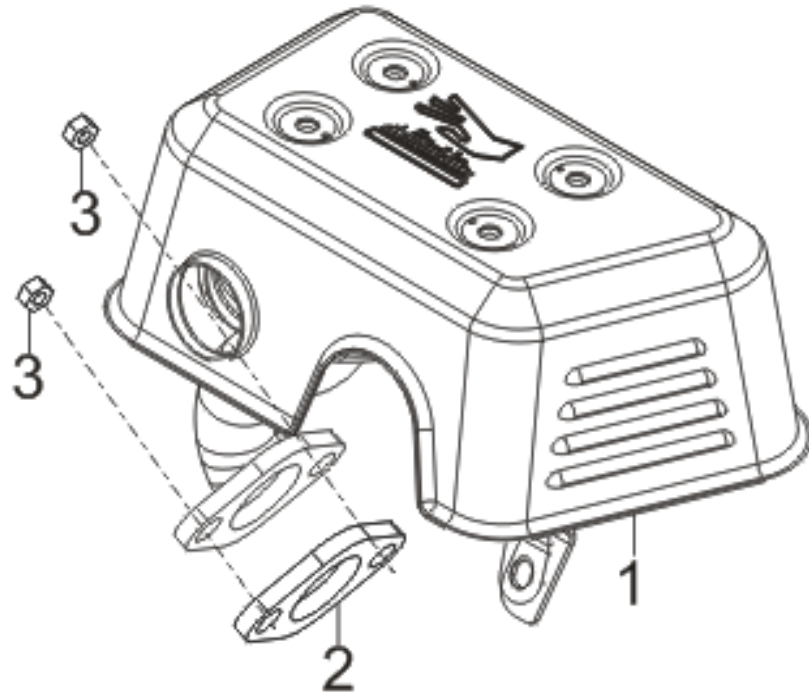
REF.NO.	PART NO		DESCRIPTION	PEDIDO
E11-1	16001-Z510110-00A0		CARBURETOR SEAL GASKET	
E11-2	16003-Z510210-00A0		PLATE, CARBURETOR INSULATOR	
E11-3	17001-Z510110-00A0		AIR CLEANER SEAL GASKET	
E11-4	16100-Z0M0110-00A9		CARBURETOR ASSY.	
E11-5	17002-Z510110-00A0		GASKET, INLET	
E11-6	16652-Z800110-00A0		STRAINER, FUEL	

FIG.10 CLEANER, AIR (F02)



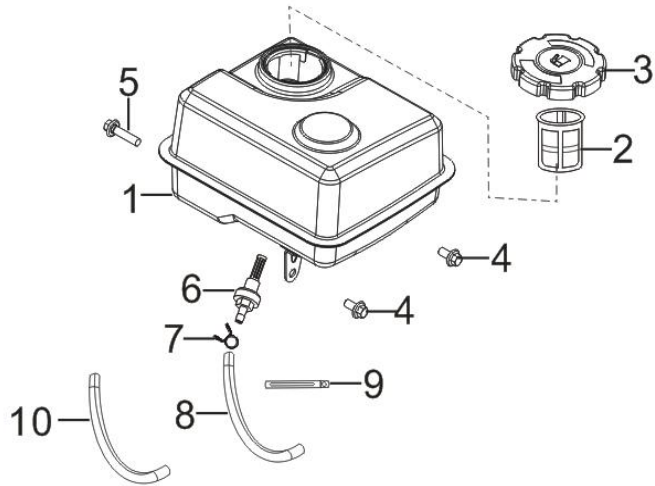
REF.NO.	PART NO		DESCRIPTION	PEDIDO
E04-1	17100-Z510510-00A0		AIR CLEANER	
E04-2	90305-0600-31A0		NUT	

FIG.11 MUFFLER ASSY. (F04)



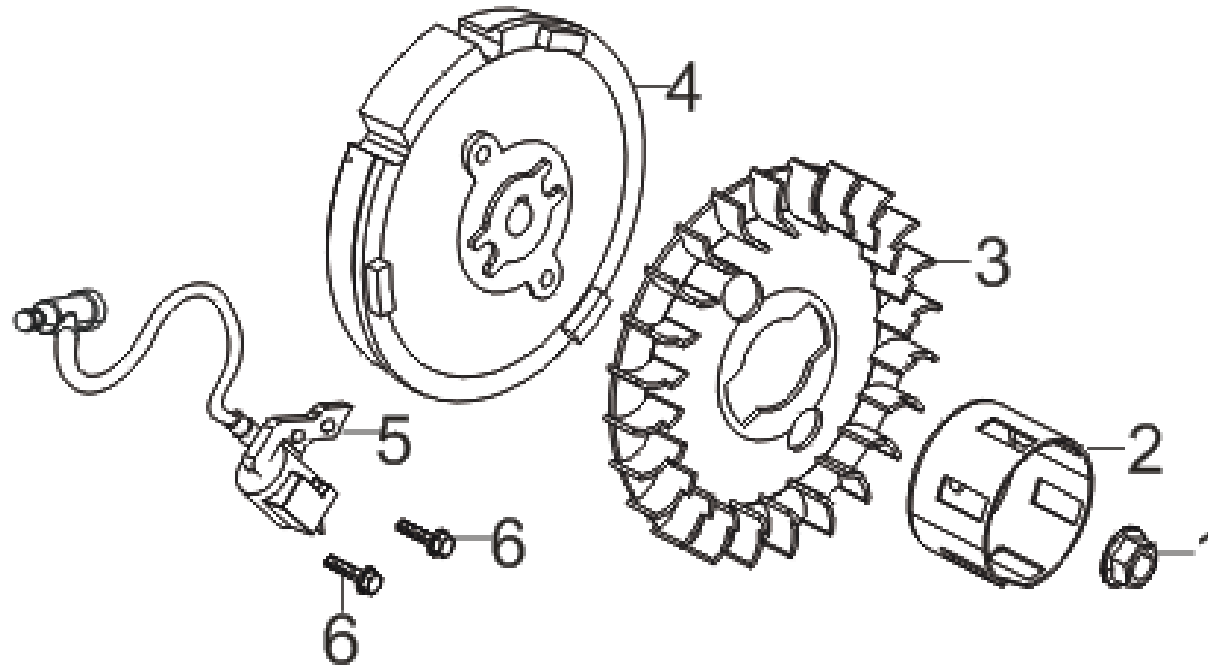
REF.NO.	PART NO		DESCRIPTION	PEDIDO
F04-1	18100-Z0M0411-00B0		MUFFLER ASSY.	
F04-2	18001-Z510110-00A0		GASKET, EXHAUST OUTLET	
F04-3	90303-0800-31A0		TYPE 1 HEXAGON NUT	

FIG.12 TANK ASSY, FUEL (F01)



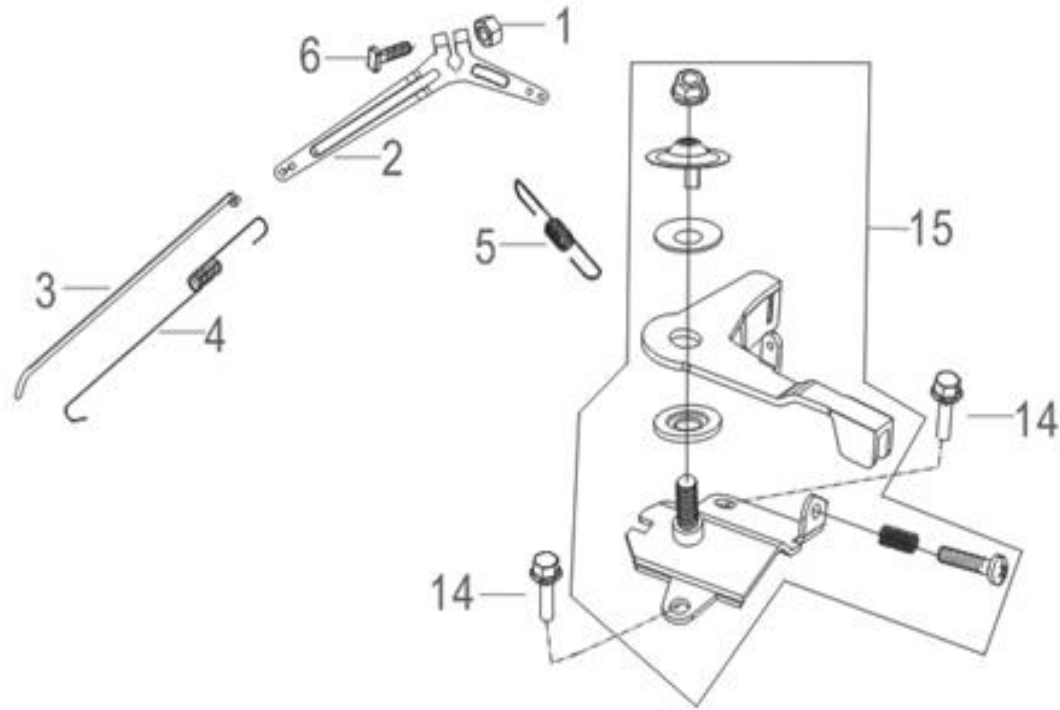
REF.NO.	PART NO		DESCRIPTION	PEDIDO
F01-1	16620-Z510120-VCA0		FUEL TANK	
F01-2	16652-Z0M0110-00A0		STRAINER, FUEL	
F01-3	16730-Z300120-00A0		COVER, FUEL TANK	
F01-4	90001-0612-01A0		HEXAGON SOCKET FLANGE FACE BOLT - SMALL SERIES	
F01-5	90001-0612-01A0		HEXAGON SOCKET FLANGE FACE BOLT - SMALL SERIES	
F01-6	16680-Z010110-00A0		OUTLET SUBASSEMBLY, FUEL TANK OIL	
F01-7	90740-Z010510-00A0		COLLAR	
F01-8	90686-Z511110-00A0		TUBE, FUEL	
F01-9	90684-Z030120-00A0		WIRE CLIP	
F01-10	30431-Z010110-00A0		JACKET, RUBBER	

FIG.13 FLYWHEEL / IMPELLER / STARTER PULLEY / IGNITION COIL (E15)



REF.NO.	PART NO		DESCRIPTION	PEDIDO
E15-1	13501-Z510110-00A0		NUT, FLYWHEEL	
E15-2	28002-Z510110-00A1		PULLEY,STARTER	
E15-3	19352-Z510110-00A1		IMPELLER	
E15-4	13510-Z510110-00A0		FLYWHEEL SUBASSEMBLY	
E15-5	30400-Z0M0211-00B1		COIL, IGNITION	
E15-6	90001-0620-01A0		HEXAGON SOCKET FLANGE FACE BOLT - SMALL SERIES	

FIG.14 CONTROL ASSY, THROTTLE (E13)



REF.NO.	PART NO		DESCRIPTION	PEDIDO
E13-1	90305-0600-31A0		HEXAGON NUT WITH FLANGE	
E13-2	16070-Z510210-00A0		GOVERNOR BRACKET SUBASSEMBLY	
E13-3	16062-Z0M0110-00A0		ROD, GOVERNEOR	
E13-4	16012-Z510110-00A0		SPRING, THROTTLE VALVE RETURNING	
E13-5	16063-Z0M0110-00A0		SPRING, GOVERNOR	
E13-6	16072-Z010110-00A0		BOLT, GOVERNOR SUPPORT	
E13-14	90001-0608-01A0		HEXAGON SOCKET FLANGE FACE BOLT - SMALL SERIES	
E13-15	16520-Z510120-00A0		CONTROL ASSY, THROTTLE	