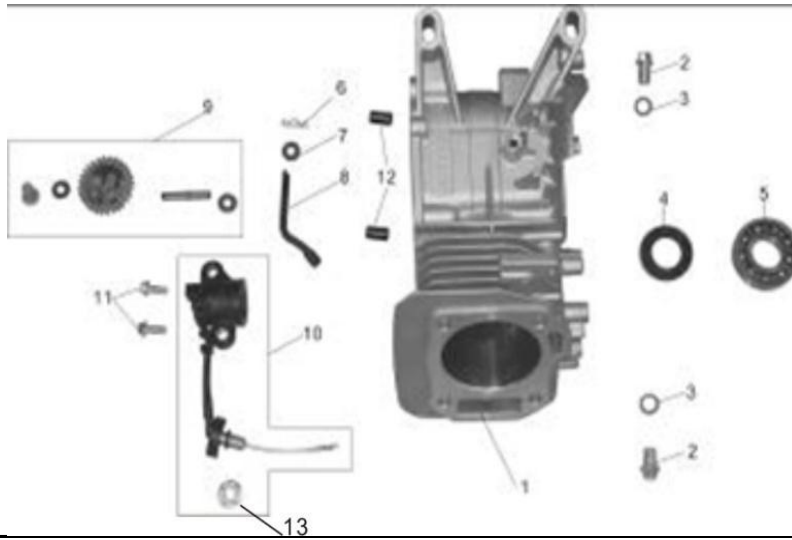


A107

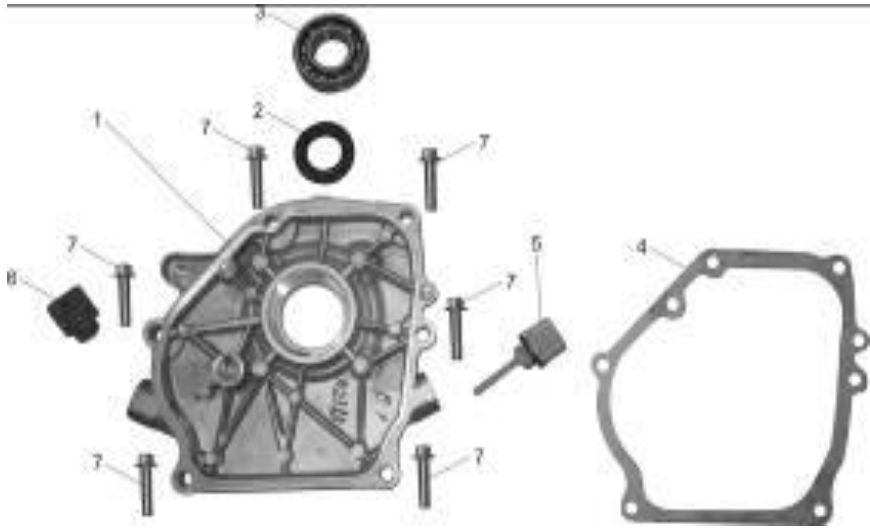
SR170F ECO new engine FOR SR1Z-75 ECO TILLER



Model No.						SR170F	SR170FE	
Series No.	Part Code		English Name	Unit	Quantity for	Order Quantity	Order Quantity	Note
1	2.63.01.00406		DOWEL PIN/10*16	PCS	2			
2	2.60.08.003300	SR170F/P	HEAD GASKET	PCS	1			
3	2.63.01.03476		BOLT / GB5789-M8*55	PCS	4			
4	2.63.01.03115		BOLT STUD EX / M8*34	PCS	2			
5	2.60.03.000200	SR168F/P	PAPER WASHER ,EXHAUST OPENING	PCS	1			
6	2.60.09.000900	SR168F/P	PACKING HEAD COVER	PCS	1			
7	2.63.01.00180		BOLT / GB5787-M6*14	PCS	4			
8	2.53.06.001800	SR168F/P	PLUG SPARK / F7TC	PCS	1			
9	2.63.01.00052		BOLT STUD / M6*113	PCS	2			
10	2.50.01.007500	SR168F/P (专	COVER,CYLINDER HEAD	PCS	1			
11	2.50.02.005000	SR170FA/P	CYINDER HEAD	PCS	1			



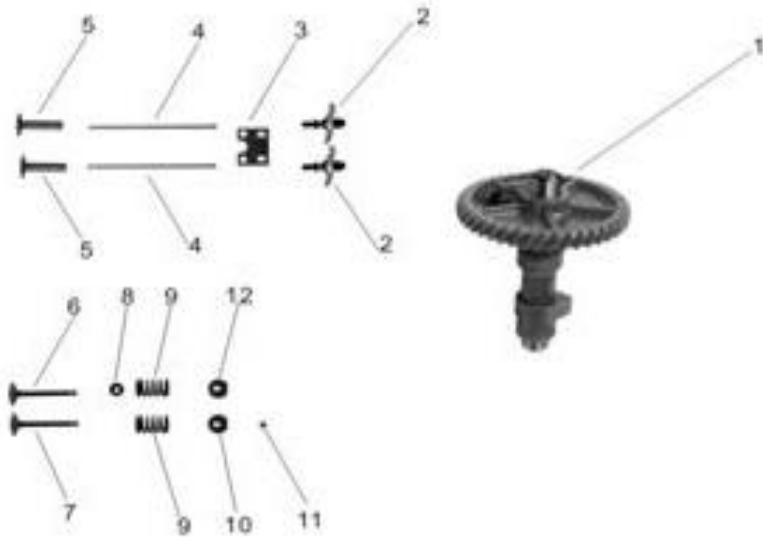
Series No.	Part Code		English Name	Unit	Quantity for	SR170F	SR170FE	Note
						Order Quantity	Order Quantity	
1	2.51.01.017700	SR170FB/P	CRANKCASE WITH HOLE	PCS	1			
2	2.63.01.01754	8.8级	BOLT / GB5787-M10*15*1.25	PCS	2			
3	2.63.01.00497		PARONITE GASKET φ10×φ15×1.2	PCS	2			
4	2.51.17.001900	SR168F/P	OIL SEAL 25*41.25*6	PCS	1			
5	2.63.02.006000		BEARING / GB276-6205	PCS	1			
6	2.63.01.00387		LOCK PIN/1*5.7	PCS	1			
7	2.63.01.00370		IRON WASHER /GB97-6*15*0.5	PCS	1			
8	2.51.03.000100	SR168F/P	SHAFT GOVERNOR ARM	PCS	1			
9	2.51.02.000100	SR168F/P	GOVERNOR GEAR	SET	1			
10	2.51.04.000100		OIL LEVEL SWITCH	PCS	1			
11	2.63.01.00191		BOLT / GB5787-M6*16	PCS	2			
12	2.63.01.00404		DOWEL PIN / 8*14	PCS	2			
13	2.63.01.01762				1			



Model No.						SR170F	SR170FE	
Series No.	Part Code		English Name	Unit	Quantity for	Order Quantity	Order Quantity	Note
1	2.51.05.000800	SR168F/P	CRANKCASE COVER	PCS	1			
2	2.51.17.001900	SR168F/P	OIL SEAL 25*41.25*6	PCS	1			
3	2.63.02.006000		BEARING / GB276-6205	PCS	1			
4	2.60.01.004500	SR168F/P-2	PACKING CASE COVER	PCS	1			
5	2.51.06.000400	SR168F/P	OIL DIPSTICK	PCS	1			
6	2.51.07.000200		OIL FILLER PLUG	PCS	1			
7	2.63.01.02743		BOLT//GB5787-M8*32	PCS	6			



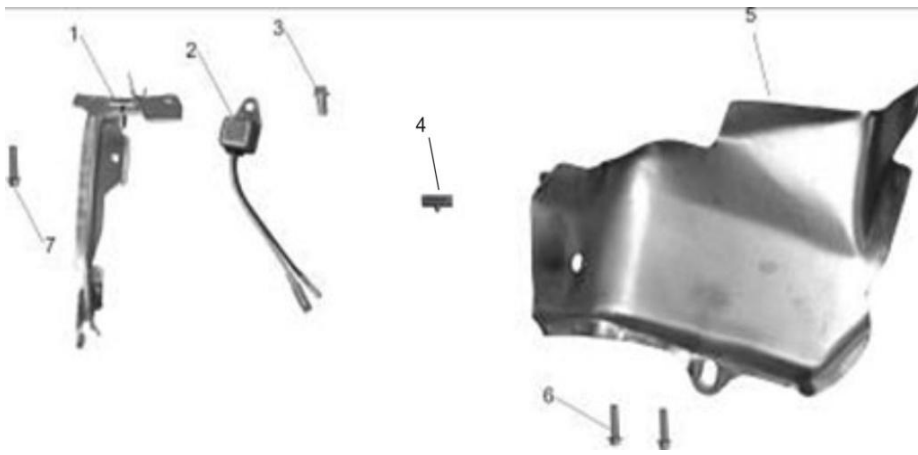
							SR170F	SR170FE	
Series No.	Part Code		English Name	Unit	Quantity for	Order Quantity	Order Quantity	Note	
1	2.51.15.046400	SR170F/P	CRANKSHAFT COMP	PCS	1				
2	2.51.11.004100	SR170FB/P	RING SET	SET	1				
3	2.51.08.004700	SR170FA/P	PISTON	PCS	1				
4	2.51.10.000100	SR168F/P	CLIP PISTON PIN	PCS	2				
5	2.51.09.002100	SR170FA/P	PIN PISTON	PCS	1				
6	2.51.12.005000	SR170FA/P	ROD ASSY CONNECTING	PCS	1				
7	2.63.01.00023				1				
8	2.62.01.000600	SR188F/P			1				



Series No.	Part Code		English Name	Unit	Quantity for	SR170F	SR170FE	Note
						Order Quantity	Order Quantity	
1	2.51.16.006500	SR170FA/P	CAMSHAFT	PCS	1			
2	2.50.05.000100	SR168F/P	ARM VALVE ROCKER ASSEMBLY	SET	2			
3	2.50.06.000100	SR168F/P	SR168F/P	PCS	1			
4	2.50.07.000100	SR168F/P	ROD PUSH	PCS	2			
5	2.50.08.000200	SR168F/P-2	LIFTER VALVE	PCS	2			
6	2.50.03.000900	SR1P70F/P	VALVE IN	PCS	1			
7	2.50.04.000800	SR1P70F/P	VALVE EX	PCS	1			
8	2.50.10.000100	SR168F/P	SR168F/P	PCS	1			
9	2.50.09.000100	SR168F/P	SPRING, VALVE	PCS	2			
10	2.50.09.000300	SR168F/P	RETAINER, EX.VALVE SPRING	PCS	1			
11	2.50.09.001300	SR168F/P	RATATOR VALVE	PCS	1			
12	2.50.09.000200		RETAINER, IN.VALVE SPRING	PCS	1			



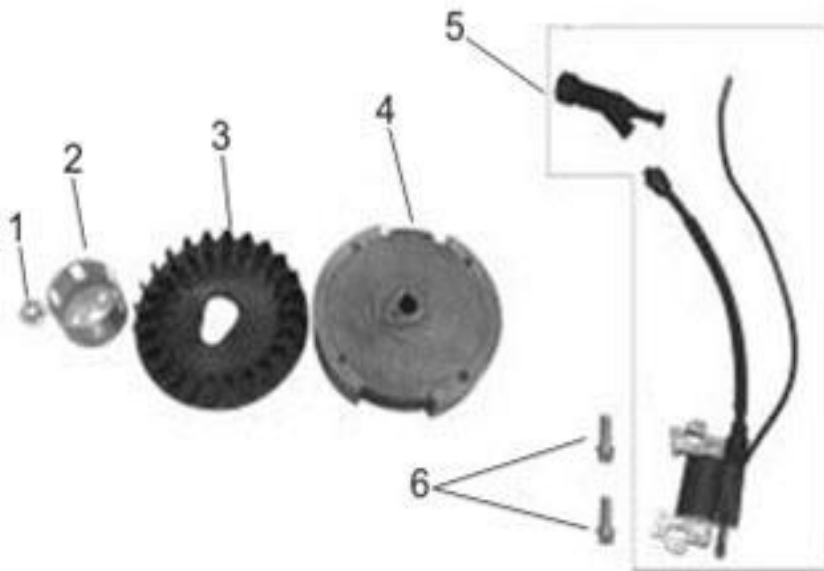
Series No.	Part Code		English Name	Unit	Quantity for	SR170F	SR170FE	Note
						Order Quantity	Order Quantity	
1	2.52.01.131500		RECOIL STARTER COMP	PCS	1			
2	2.60.10.000800		RED PAPER WASHER /	PCS	4			
3	2.63.01.01756		BOLT / GE5787-M6*12	PCS	4			
4	2.53.05.002500	SR168F/P	REEL RECOIL STARTER	PCS	1			
5	2.57.04.041800	SR168F/P	A new starter decorating plate/take \"SHINERAY\" logo	PCS	1			
6	2.63.01.03114	8.8级			2			
7	2.63.01.00176				1			



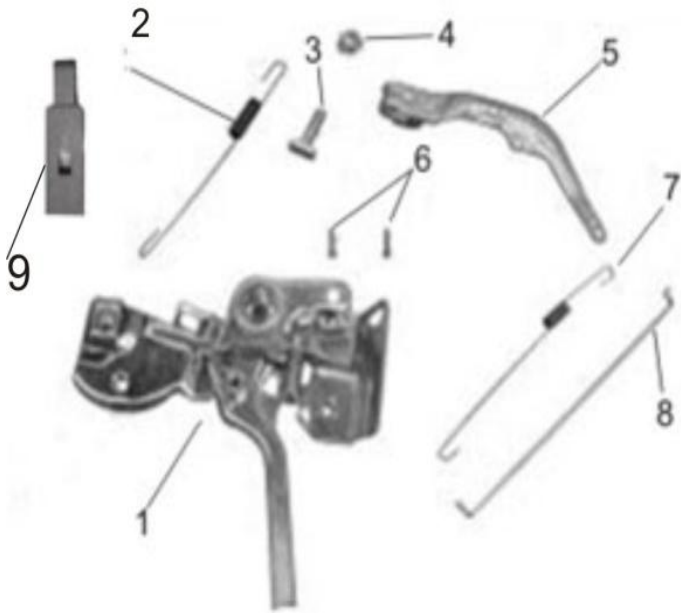
						SR170F	SR170FE	
Series No.	Part Code		English Name	Unit	Quantity for	Order Quantity	Order Quantity	Note
1	2.52.07.004400	SR168F/P	PLATE SIDE	PCS	1			
2	2.51.04.000700		ALART UNIT OIL	PCS	1			
3	2.63.01.01756		BOLT / GE5787-M6*12	PCS	1			
4	2.62.01.000300	SR168F/P	WIRE CLIP	PCS	1			
5	2.52.06.003400	SR168F/P	POD	PCS	1			
6	2.63.01.01756		BOLT / GE5787-M6*12	PCS	2			
7	2.63.01.01750		BOLT / GE5787-M6*20	PCS	1			



						SR170F	SR170FE	
Series No.	Part Code		English Name	Unit	Quantity for	Order Quantity	Order Quantity	Note
1	2.60.10.001100	SR168F/P	PAPER WASHER,AIR CLEANER	PCS	1			
2	2.55.01.028900	SR170FA/P	CARBURETOR	SET	1			
3	2.60.04.000200	SR168F/P	PAPER WASHER, CARBURETOR	PCS	1			
4	2.55.02.000100	SR168F/P	INSULATOR CARBURETOR	PCS	1			
5	2.60.02.000200	SR168F/P	PAPER WASHER,AIR INTAKE	PCS	1			



						SR170F	SR170FE	
Series No.	Part Code		English Name	Unit	Quantity for	Order Quantity	Order Quantity	Note
1	2.63.01.00299		NUT / GB6177-M14	PCS	1			
2	2.52.03.004500	SR168F/P	FULLEY STARTER	PCS	1			
3	2.52.04.002300	SR170FB/P	FAN COOLING / BLACK PP	PCS	1			
4	2.53.01.000100	SR168F/P	FLYWHEEL COMP	PCS	1			
5	2.53.02.003200	SR168F/P	COIL ASSY IGNITION	SET	1			
6	2.63.01.00914	8.8级	BOLT / GB5787-M6*25	PCS	2			

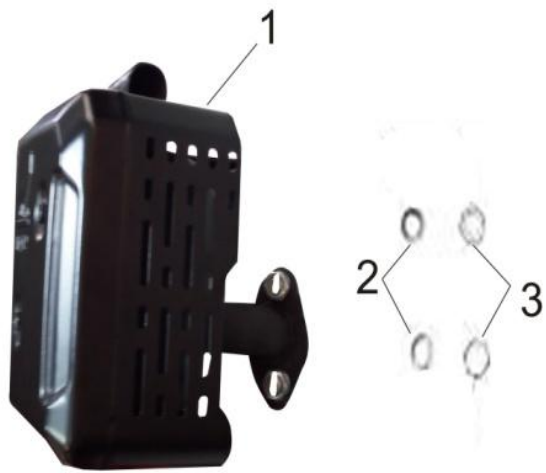


						SR170F	SR170FE	
Series No.	Part Code		English Name	Unit	Quantity for	Order Quantity	Order Quantity	Note
1	2.54.01.013300	SR168F/P	CONTROL ASSY	PCS	1			
2	2.54.02.003400	SR168F/P	SPRING GOVERNOR	PCS	1			
3	2.63.01.00124		NUT FLANGE M6*21	PCS	1			
4	2.63.01.00291		NUT / GB6177-M6	PCS	1			
5	2.54.04.002000	SR168F/P	ARM GOVERNOR	PCS	1			
6	2.63.01.01756		BOLT / GB5787-M6*12	PCS	2			
7	2.54.02.000200	SR168F/P	SPRING THROTTLE RETURN	PCS	1			
8	2.54.03.002400	SR168F/P	ROD GOVERNOR	PCS	1			
9	2.09.06.005500	SR168F/P	CHOKE LEVER	PCS	1			



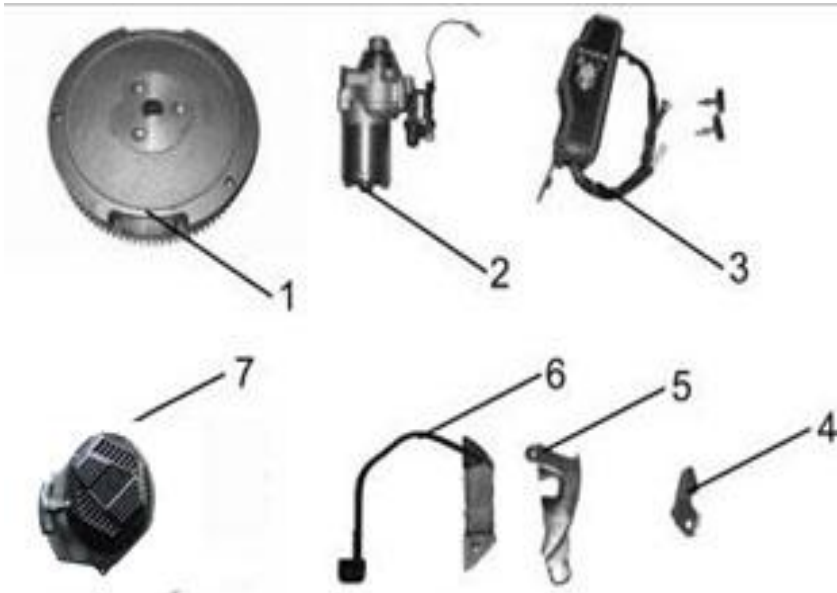
1
2

						SR170F	SR170FE	
Series No.	Part Code		English Name	Unit	Quantity for	Order Quantity	Order Quantity	Note
1	2.50.11.015300	SR168F/P	FILTER	SET	1			
2	2.63.01.00291		NUT / GB6177-M6	PCS	2			



						SR170F	SR170FE	
Series No.	Part Code		English Name	Unit	Quantity for	Order Quantity	Order Quantity	Note
1	2.50.12.027100	SR168F/P	MUFFLER	PCS	1			
2	2.63.01.01705		ELASTIC RING / GB93-φ8	PCS	2			
3	2.63.01.00287		NUT / GB6170-M8	PCS	2			

OPTIONAL : SPECIAL PARTS FOR ELECTRIC START



						SR170F	SR170FE	
Series No.	Part Code		English Name	Unit	Quantity for One Unit	Order Quantity	Order Quantity	Note
1	2.53.01.000900		FLYWHEEL COMP (ELECTIRC START)	PCS	1			
2	2.52.02.000100		STARTER MOTOR	PCS	1			
3			ELECTIRC START SWITCH WITH KEY	PCS	1			
4	2.53.07.000800		LOCK BLOCK OF WIRE	PCS	1			
5	2.52.07.003300		PLATE SIDE (ELECTIRC START)	PCS	1			
6	2.53.03.000100		CHARGE COIL ASSY (ELECTIRC START)	PCS	1			
7	2.52.01.131500		STARTER COMP (ELECTIRC START)	PCS	1			