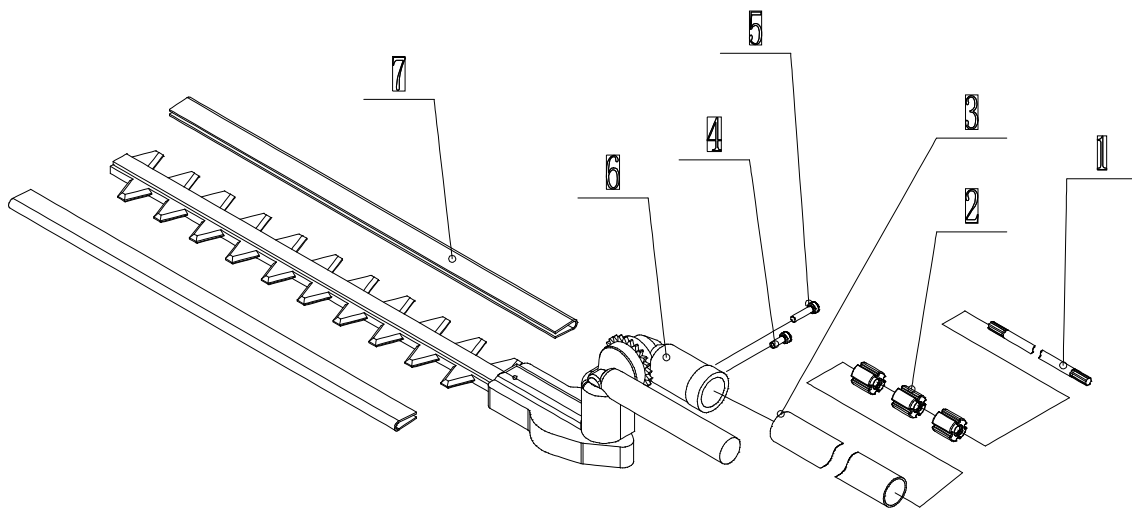


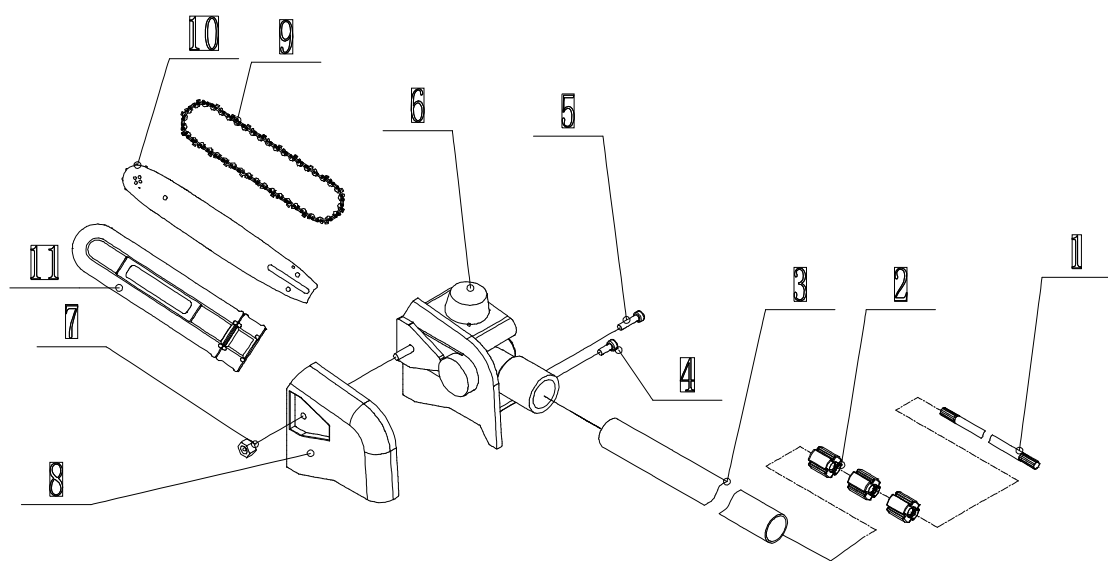
FANTON
mod: RLMT40SR

Máquina + Barra desbrozador



FANTON
mod. RLMT40SR

Cortasetos



FANTON
mod. RLMT40SR
MOTOSIERRA

RLMT40SR Listado piezas (máquina + desbrozador)

Pieza		Description-English	Cantidad
1		Battery pack holder-left	1
2		electrode socket	1
3		battery insert	2
4		Controller assembly	1
5		Battery pack holder-right	1
6		Cross recessed pan head tapping screws ST4.2*	18
7		Right cover	1
8		Right engine cover-rear	1
9		Cross recessed pan head tapping screws ST4.2*	4
10		Single handle wire rod	1
11		Hexagonal cylinder set bolt M4*20	1
12		Hexagonal cylinder set bolt M5*12	1
13		Motor assembly	1
14		Left engine cover-rear	1
15		Display board	1
16		Left cover	1
17		Hexagonal cylinder bolt M5*16	1
18		Hanging rings set components	1
19		Locknut M5	5
20		shoulder strap	1
21		Sponge coat	1
22		P shape handle	1
23		Rubber ring for P shape handle	1
24		P shape handle cover	1
25		Hexagonal cylinder bolt M5*30	4
26		Quick joint set	1
27		Hexagonal cylinder set bolt M5*16	2
28		Hexagonal cylinder set bolt M5*25	2
29		Left cover shell-single handle	1
30		Cross recessed pan head tapping screws ST2.2*	4
31		Control panel	1
32		Switch plate	1
33		Speed-control switch	1
34		Trigger spring	1
35		Trigger-single handle	1
36		Trigger-control button spring	1
37		Trigger-control button - single handle	1
38		Output shaft connector	1
39		Power aluminum tube	1
40		Cross recessed pan head tapping screws ST4.2*	1

41		Right cover shell-single handle	1
42		Power transmission shaft	1
43		Oil-retaining bearing	6
44		Small blade	1
45		Cross recessed pan head tapping screws ST4.2*	2
46		Protect cover	1
47		Working transmission shaft	1
48		Lock banking stop	1
49		Grass-cutting pole	1
50		Hexagonal cylinder bolt M6*25	3
51		Protect cover plate	1
52		Protect cover connecting plate	1
53		Gear case assy	1
54		Top board	1
55		Bottom board	1
56		Bottom cover plate	1
57		Locknut M10	1
58		Nylon cutter	1
59		3-T metal blade	1
60		Battery pack	1
61		Charger	1

RLMT40SR Listado piezas cortasetos

Pieza		Description-English	Cantidad
1		TRANSMISSION BEARING	1
2		BEARING NEEDLE	3
3		TRANSMISSION SHAFT	1
4		M5*16 SCREW	1
5		M5*25 SCREW	1
6		HEDGE TRIMMER	1
7		HEDGE TRIMMER COVER	2

RLMT40SR Listado piezas motosierra

Pieza		Description-English	Cantidad
1		TRANSMISSION BEARING	1
2		BEARING NEEDLE	3
3		TRANSMISSION SHAFT	1
4		M5*16 SCREW	1
5		M5*25 SCREW	1
6		POLE MOUNTED PRUNNER ASSY	1
7		GEAR CASE COVER NUT	1
8		GEAR CASE COVER	1
9		CHAIN	1
10		GUIDE BAR	1
11		GUIDE BAR COVER	1