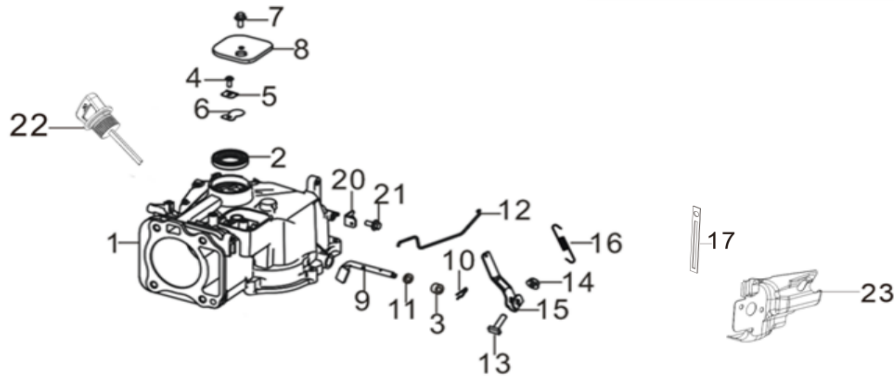


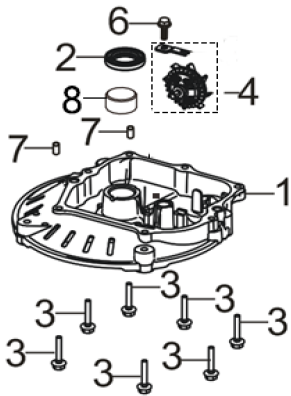
FANTON FM45

FIG.1 CRANKCASE. / GEAR ASSY, GOVERNOR.



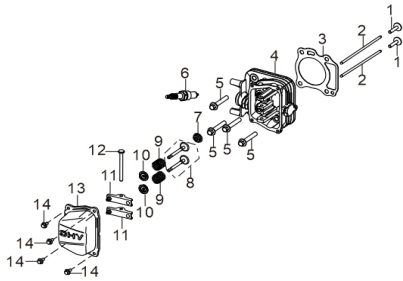
REF.NO.	DESCRIPTION	Q'TY
E01-1	Crankcase Subassembly.	1
E01-2	Seal, Oil	1
E01-3	Seal, Oil	1
E01-4	Cross-Recessed Pan Head Screw	1
E01-5	Breath Sheet	1
E01-6	Breath Sheet Stop Plate	1
E01-7	Bolt	1
E01-8	Plate, Breath Groove Cover	1
E01-9	Arm, Governor	1
E01-10	Cotter Pin	1
E01-11	Flat Washer	1
E01-12	Rod, Governeor	1
E01-13	Bolt, Governor Support	1
E01-14	Hexagon Nut With Flange	1
E01-15	Governor Bracket Subassembly	1
E01-16	Spring, Governor	1
E01-17	Wire Clip	1
E01-20	Throttle Operating Bottom Plate	1
E01-21	Bolt	1
E01-22	Dipstick, Oil	1
E01-23	Shield	1

FIG.2 COVER SUBASSEMBLY, CRANKCASE



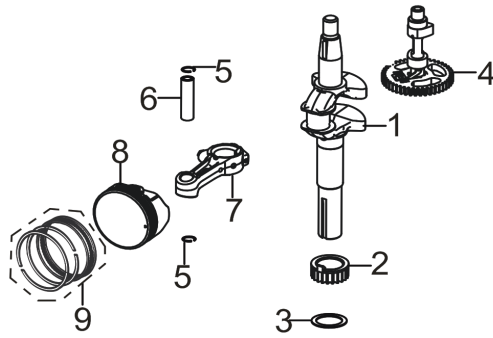
REF.NO.	DESCRIPTION	Q'TY
E02-1	Cover, Crankcase	1
E02-2	Seal, Oil	1
E02-3	Bolt	7
E02-4	Gear Assy, Governor	1
E02-6	Bolt	1
E02-7	Position Pin	2
E02-8	Sliding Bearing	1

FIG.3 HEAD SUBASSEMBLY, CYLINDER / PLUG, SPARK



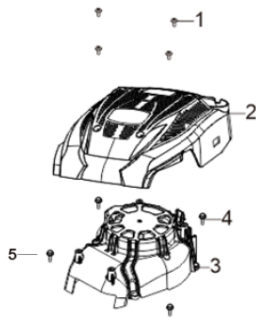
REF.NO.	DESCRIPTION	Q'TY
E03-1	Tappet, Valve	2
E03-2	Lifter, Valve	2
E03-3	Gasket, Cylinder Head	1
E03-4	Head Subassembly, Cylinder	1
E03-5	Cylinder Head Bolt	4
E03-6	Plug, Spark	1
E03-7	Guide, Seal	1
E03-8	Valves Set	2
E03-9	Spring, Valve	2
E03-10	Seat, Valve Spring	2
E03-11	Rocker Subassembly, Valve	2
E03-12	Shaft, Valve Rocker	1
E03-13	Cover, Cylinder Head	1
E03-14	Bolt	4

FIG.4 ROD, CRANKSHAFT CONNETING



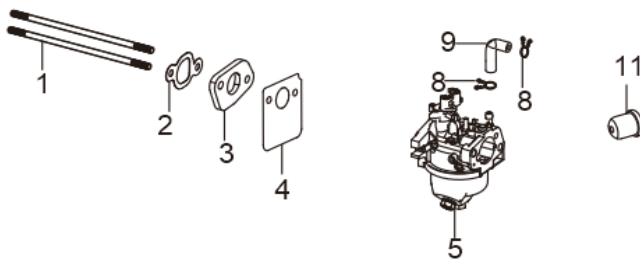
REF.NO.	DESCRIPTION	Q'TY
E04-1	Crankshaft Assy.	1
E04-2	Gear, Timing Drive	1
E04-3	Flat Washer	1
E04-4	Camshaft Assy.	1
E04-5	Clip, Piston Pin	2
E04-6	Pin, Piston	1
E04-7	Rod, Connecting	1
E04-8	Piston	1
E04-9	Ring Assy, Piston	1

FIG.5 STARTER,RECOIL



REF.NO.	DESCRIPTION	Q'TY
E05-1	Cross-Recessed Pan Head Self-Tapping Screw	4
E05-2	Housing, Engine	1
E05-3	Starter Assy, Recoil	1
E05-4	Bolt	2
E05-5	Hexagon Socket Flange Face Bolt - Big Series - Grade B	2

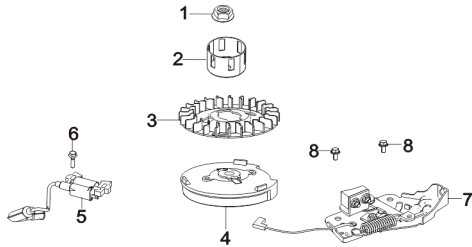
FIG.6 CARBURETOR ASSY.



REF.NO.	DESCRIPTION	Q'TY
E06-1	Stud Bolt	1
E06-2	Gasket, Inlet	1
E06-3	Plate, Carburetor Insulator	1
E06-4	Carburetor Seal Gasket	1
E06-5	Carburetor Assy.	1

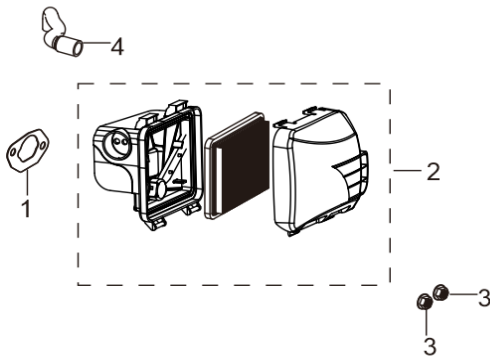
E06-8	Pipe Clamp	2
E06-9	Tube, Starting Riched Valve	1
E06-11	Valve, Starting Riched	1

FIG.7 FLYWHEEL / IMPELLER / STARTER PULLEY / IGNITION COIL



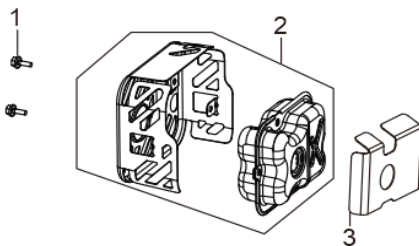
REF.NO.	DESCRIPTION	Q'TY
E10-1	Nut, Flywheel	1
E10-2	Pulley, Starter	1
E10-3	Impeller	1
E10-4	Flywheel Subassembly	1
E10-5	Coil, Ignition	1
E10-6	Bolt	1
E10-7	Brake Assy.	1
E10-8	Bolt	3

FIG.8 CLEANER, AIR (F01)



REF.NO.	DESCRIPTION	Q'TY
F01-1	Air Cleaner Seal Gasket	1
F01-2	Air Cleaner	1
F01-3	Hexagon Nut With Flange	2
F01-4	Tube, Breather	1

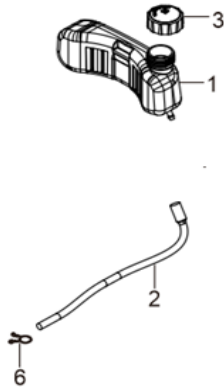
FIG.9 MUFFLER ASSY.



REF.NO.	DESCRIPTION	Q'TY
---------	-------------	------

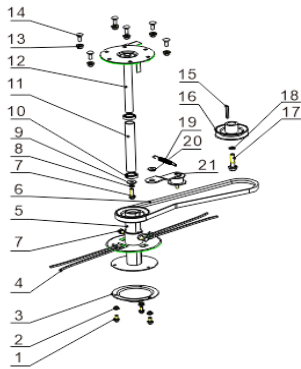
F02-1	Bolt	2
F02-2	Muffler Assy.	1
F02-3	Plate, Muffler Insulator	1

FIG.10 TANK ASSY, FUEL



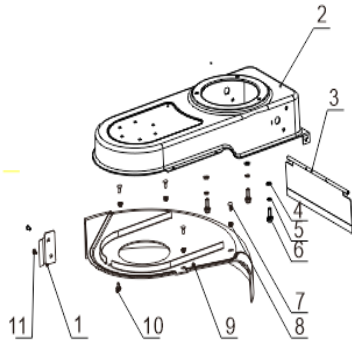
REF.NO.	DESCRIPTION	Q'TY
F03-1	Tank Assy, Fuel	1
F03-2	Tube, Fuel	1
F03-3	Cover, Fuel Tank	1
F03-6	Pipe Clamp	1

11



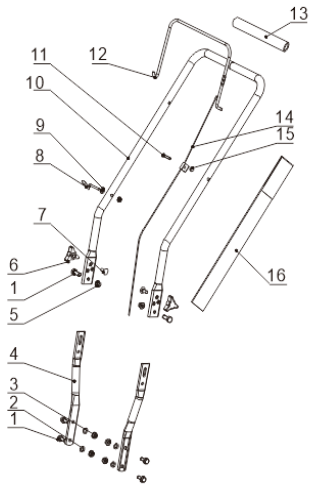
REF.NO.	DESCRIPTION	Q'TY
E01-1	Hexagon Socket Flange Face Bolt - Big Series - Grade B	3
E01-2	Hexagon Nut With Flange	3
E01-3	Mower Head Cap	1
E01-4	Straw Rope	10
E01-5	Mower Head Components	1
E01-6	Belt, Driving	1
E01-7	Hexagon Socket Flange Face Bolt - Small Series	3
E01-8	Standard Spring Washer	1
E01-9	Washer , Flat	2
E01-10	Deep Groove Ball Bearing - P6	2
E01-11	Bush	1
E01-12	Mower Head Seat	1
E01-13	Type 1 Non-Metallic Insert Hexagon Lock Nut	6
E01-14	Reinforced Cup Head Square Neck Bolt	6
E01-15	Flat Key	1
E01-16	Belt Pulley	1
E01-17	Bolt	1
E01-18	Standard Spring Washer	1
E01-19	Spring, Tension	1
E01-20	Bush	1
E01-21	Tension Pulley Assembly	1

12



REF.NO.	DESCRIPTION	Q'TY
E01-1	Wire Cutter	1
E01-2	Grass Shield	1
E01-3	Grass Shield	1
E01-4	Flat Washer - Grade A	3
E01-5	Standard Spring Washer	3
E01-6	Bolt	3
E01-7	Reinforced Cup Head Square Neck Bolt	4
E01-8	Type 2 All Metal Hexagon Lock Nut With Flange	6
E01-9	Grass Shield	1
E01-10	Hexagon Socket Flange Face Bolt - Big Series - Grade B	1
E01-11	Hexagon Socket Flange Face Bolt - Big Series - Grade B	2

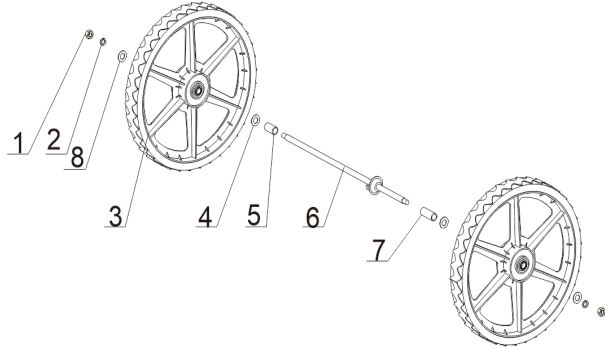
13



REF.NO.	DESCRIPTION	Q'TY
E01-1	Bolt	6
E01-2	Flat Washer	4
E01-3	Hexagon Nut With Flange	4
E01-4	Push Rod	2
E01-5	Type 1 Non-Metallic Insert Hexagon Lock Nut	2
E01-6	Fast Screw	2
E01-7	Reinforced Cup Head Square Neck Bolt	2
E01-8	Hanger	1
E01-9	Hexagon Nut With Flange	2
E01-10	Push Rod	1
E01-11	Cross-Recessed Small Pan Head Screw	1
E01-12	Emergency Stop Device	1
E01-13	Sleeve, Handle Rubber	1

E01-14	Emergency Stop Cable	1
E01-15	Acorn Hexagon Nuts	2
E01-16	Bag , Tool	1

14 Wheels



REF.NO.	DESCRIPTION	Q'TY
E01-1	Type 1 Non-Metallic Insert Hexagon Lock Nut	2
E01-2	Standard Spring Washer	2
E01-3	Wheel, Transportation	2
E01-4	Flat Washer - Grade A	2
E01-5	Bush	1
E01-6	Shaft , Rear Wheel	1
E01-7	Bush	1
E01-8	Flat Washer - Grade A	1