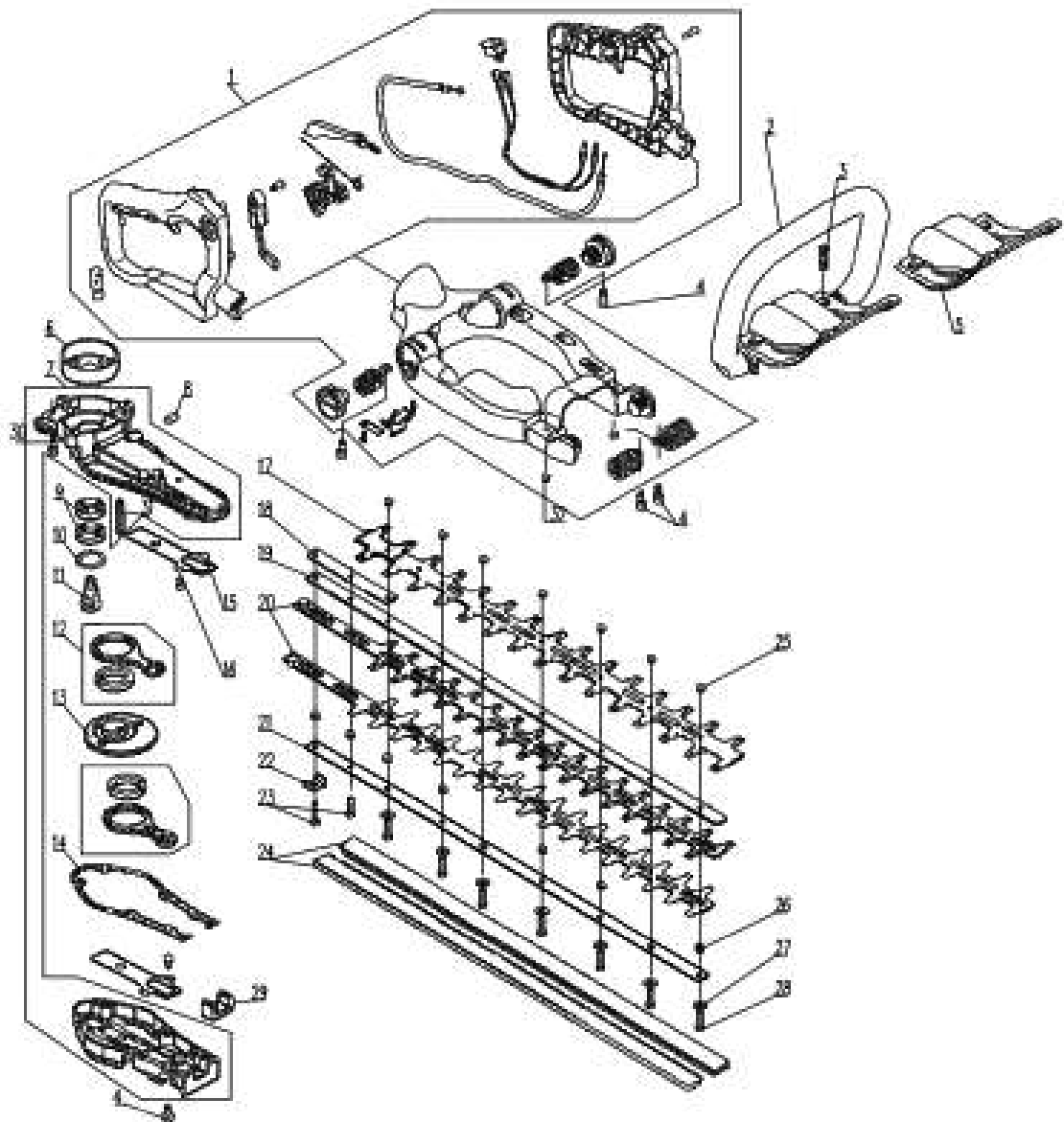


# Despiece **FANTON HT55**

(Kit de corte)



# Cortasetos FANTON HT55

(Kit de corte)

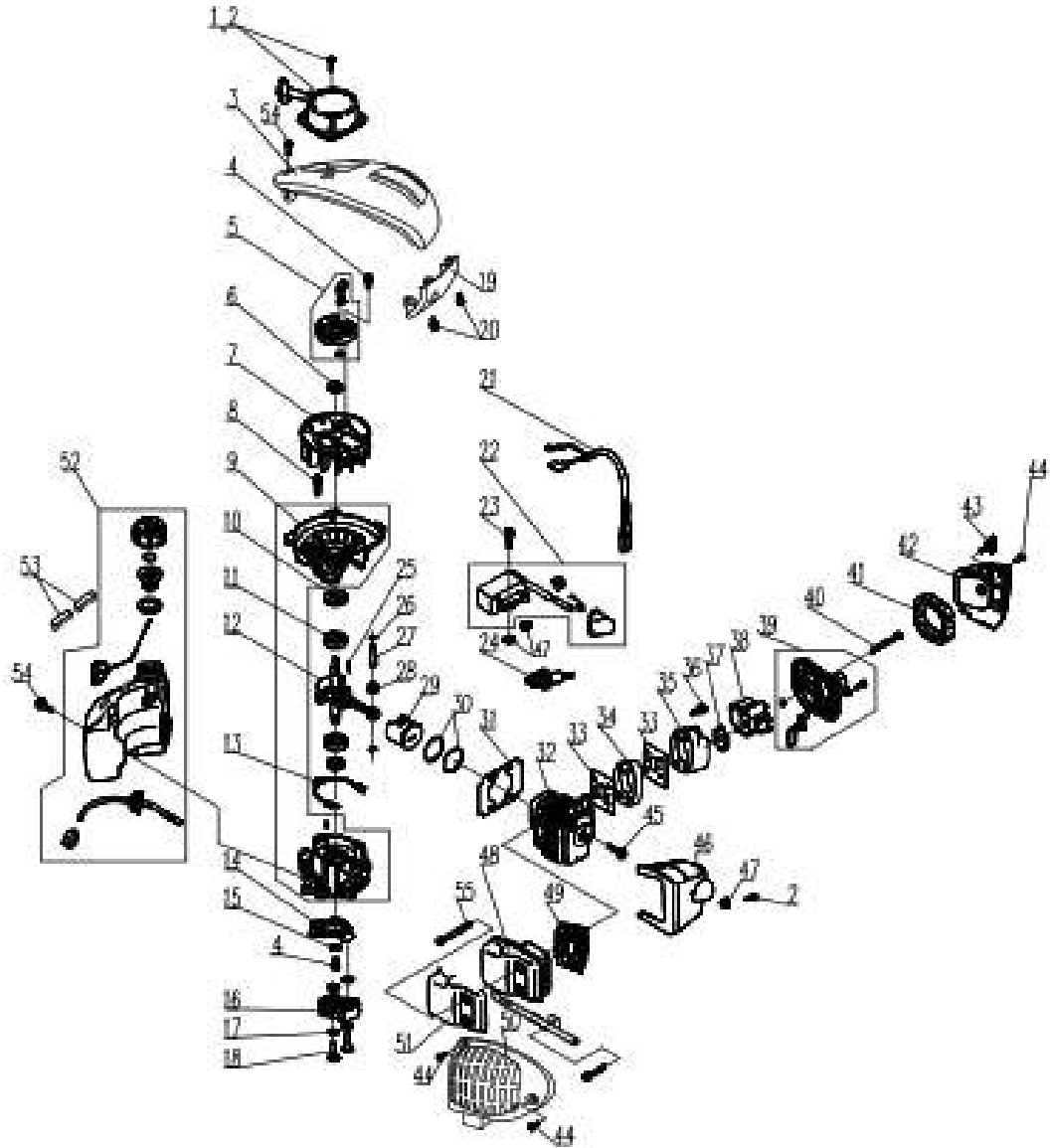
## Listado de piezas

NO	NAME		QTY	单价
1	CRANK CASE ASSY		1	\$2,70
2	FRONT HANDLE		1	\$0,45
3	SCREW M6×35		2	\$0,25
4	SCREW M5×16		10	\$0,23
5	VISOR		1	\$0,55
6	CLUTCH DRUM		1	\$1,49
7	GEAR BOX ASSY		1	\$5,95
8	GREASE FITTING M6 螺孔		1	\$0,02
9	BEARING NEEDLE 6001 闭式		2	\$0,95
10	SHIELD $\phi$ 28		1	\$0,04
11	SMALL GEAR BOX		1	\$8,65
12	CRANK SHAFT ASSY		1	
13	BIG GEAR BOX		1	
14	GASKET OF GEAR BOX		1	\$0,23
15	Antifriction pad		2	\$0,05
16	SCREW M4×14		4	\$0,05
17	MOUTHGUARD		1	\$0,35
18	Three pad		1	\$0,02
19	THICK STRIP		1	\$13,95
20	HEDGE-TRIMMER BLADE		2	
21	THIN STRIP		1	
22	PLATE-BRAKE		1	\$0,08
23	SCREW M5×30		2	\$0,05
24	BLADE COVER		2	\$0,78

25	FLANGE NUT M5		7	\$0,08
26	SLIDER 5×9×8×5.5		7	\$0,25
27	WASHER 5×16×1.5		7	\$0,25
28	SCREW M5×20		7	\$0,08
29	SPONGE		1	\$0,02
30	SCREW M6×20		3	\$0,03
31	SOLID PIN		1	\$0,02
32	FLANGE NUT M6		2	\$0,05

# Despiece FANTON HT55

(motor)



Cortasetos **FANTON HT55**  
(motor)

Listado de piezas

NO	NAME	QTY	Price
1	EASY STARTER	1	\$2,13
2	SCREW M4x14	6	\$0,02
3	PLASTIC COVER	1	\$1,56
4	SCREW M6x14	3	\$0,05
5	REAL STARTER	1	\$0,70
6	NUT M8x1	1	\$0,01
7	FLYWHEEL	1	\$2,25
8	SCREW M5x30	4	\$0,01
9	CRANK CASE	1	\$4,95
10	SEAL OIL TC12x22x7	2	\$0,31
11	BEARING NEEDLE	2	\$0,60
12	CRANKSHAFT	1	\$4,15
13	CRANK CASE GASKET	1	\$0,15
14	CLUTCH SUPPORT	1	\$0,35
15	WASHER 6x16x1.5	3	\$0,01
16	CLUTCH ASSEMBLY	1	\$1,25
17	WASHER 8x13x0.2	2	\$0,01
18	SCREW M6x22	2	\$0,01
19	TOP COVER	1	\$0,35
20	SCREW ST4.8x16	2	\$0,01
21	IGNITION WIRE	1	\$0,20
22	ELECTRICAL IGNITION	1	\$3,27
23	SCREW M4x20	2	\$0,10
24	SPARK PLUG	1	\$1,75
25	KEY-FLYWHEEL 3x10	1	\$0,02

26	PISTON SPRING $\varnothing 8$	2	\$0,01
27	PISTON PIN	1	\$0,15
28	BEARING NEEDLE K081111	1	\$0,35
29	PISTON	1	\$0,95
30	RING PISTON	2	\$0,55
31	GASKET-CYLINDER	1	\$0,12
32	CYLINDER	1	\$6,15
33	AIR INTAKE GASKE	2	\$0,10
34	potholder	1	\$0,15
35	AIR INTAKE	1	\$0,35
36	SCREW M5x20	7	\$0,10
37	CARBURETOR GASKET	1	\$0,05
38	CARBURETOR ASSY	1	\$5,96
39	CARBURETOR SUPPORT	1	\$0,68
40	SCREW M5x50	2	\$0,10
41	SPONGE-AIR FILTER	1	\$0,05
42	AIR FILTER COVER	1	\$0,20
43	AIR FILTER SCREW	1	\$0,15
44	SCREW ST4.8x16	1	\$0,01
45	SCREW M5x20	2	\$0,05
46	CYLINDER COVER	1	\$0,55
47	INSULATION PAD	1	\$0,15
48	MUFFLER	1	\$1,35
49	MUFFLER GASKET	1	\$0,15
50	MUFFLER COVER	1	\$0,38
52	OIL TANK ASSY	1	\$1,59
53	OIL BUMPER-RUBBER	2	\$0,22
54	SCREW M5x20	5	\$0,15
55	SCREW M5x55	2	\$0,15
32	FLANGE NUT M6	2	\$0,05