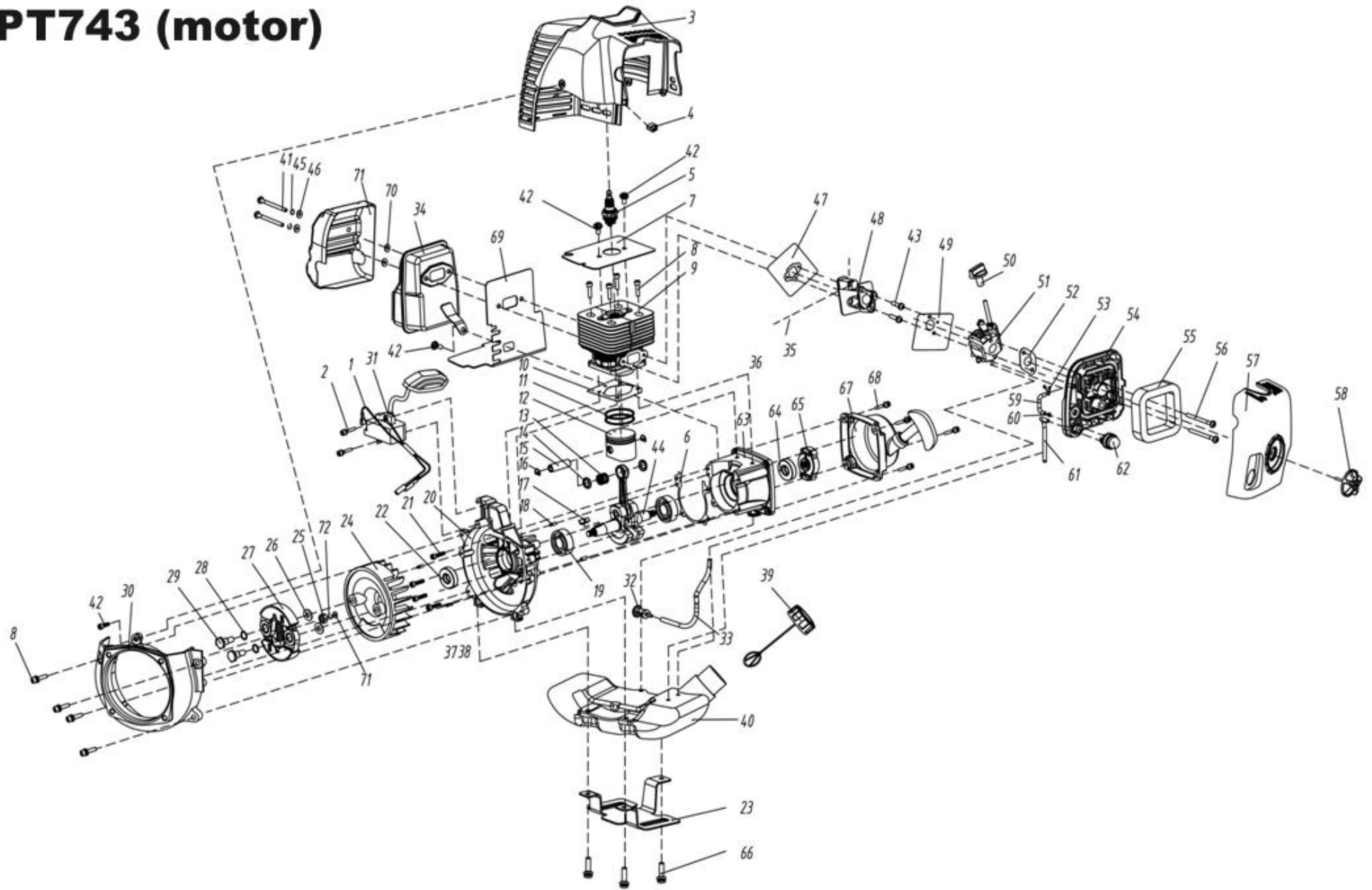


Bomba PT743

Figura	Referencia	.	Nombre	Cantidad
2-1	02050150008	5101	CASING COVER	1
2-2			MECHANICAL SEAL	1
2-3			WASHER ϕ 6.5	4
2-4			SCREW M6X40	4
2-5			O-SEALING RING	1
2-6			IMPELLER	1
2-7			VOLUTE SHELL	1
2-8			O-SEALING RING	1
2-9			WASHER ϕ 8	2
2-10			SCREW M8X25	8
2-11			O-SEALING RING	2
2-12			Fuel Tank Lid Ass's	2
2-13			PACKING	1
2-14			CHECK VALVE	1
2-15			VALVE CASE	1
2-16			SCREW M8X20	3
2-17			PACKING	2
2-18			HOSE COUPING	2
2-19			HOSE JOINT	2
2-20			SCREW M8X35	2
2-21			PACKING	1
2-22	BEND	1		
2-38	Water Filter	1		

2-37	03010060087	2993		SCREW M5X12	4
2-34	03040020018	3357		WASHER ϕ 8	2
2-29	03020020032	4265		SCREW M4X12	2
2-24	03030010013	4419		NUT M5	1
2-36	03040010009	5582		WASHER ϕ 5	4
2-35	03030010017	5610		NUT M8	2
2-32	02080030010	6184		UNTI VIBRATION RUBBER	4
2-23	02050150035	6188		HANDLE	1
2-27	02050150032	6193		THROTTLE LEVER	1
2-28	02050040097	6194		CABLE COMP	1
2-39	02020040042	6198		Clamp	1
2-26	03040020020	6536		WASHER ϕ 5	1
2-30	03040020019	6536		WASHER ϕ 5	2
2-25	03050010015	7813		WASHER ϕ 5	1
2-31	02080050043	9385		Rubber Damping Seat	2
2-33	02020160122	6191		BASE	1

PT743 (motor)



PT743 (motor)

Figura	Referencia			Cantidad
1	02050050137		1011 4221 1E34FN	1
2	03020020029		GB/T9074.4 M4*16	2
3	70030030416		YJ1E40FN-1	1
4	02080020012		40F-3B (CG415)	1
5	03130010013		GB/T7825 RCJ6Y	1
6	02070010111		1031 3151 1E40FN	1
7	02010030022		YJ1E40FN-4	1
8	03010010062	M5*20	M5*20	8
9	70070130003		1031 1211 1E40FN	1
10	02070010021		1031 1221 1E40FN	1
11	02020020009		1031 2121 1E40FN	2
12	02010020015		1031 2111 1E40FN	1
13	03090020009	KBK10*14*10	JB/T3372 KBK10X14X10	1
14	02020150001		1031 2133 1E40FN	2
15	02020010011	10*30.5	1031 2131 1E40FN	1
16	02020030014		1E40F.1-6	2
17	03070010001	3*3.7*12	GB/T1099.1 3x3.7x12	1
18	03060010004	B4*10	GB119 4*10	4
19	03090010037	6202/P53	N30 6202P53	2
20	70070050005		1031 3111 1E40FN	1
21	03010010071	M5*35	M5*35(8.8)	4
22	03100010024	15*30*7	15*30*7	1
23	02020160445		1031 5494 1E40FN	1
24	02050030003		1031 4110 1E40FN	1
25	03030010017	M8*1.25	GB6170 8*1.25	1
26	03040050048		1E36F-3 φ8	2
27	02050160006		1E40F-5.6 (36F-2A)	1
28	03040050043		1E40F-5-11 φ10*14	2
29	02020130003		1E40F-5-12 (1E36F-2A)	2
30	70070030023		YJ1E40FN-3	1
31	02050030137		YJ1E40FN.2	1
32	02050120002		1E34F.9-4 (34F)	1
33		190mm		1
34	02050010080		1E40FN(1E40F-5A)	1
35				

36				
37				
38				
39	02110020026		37F	1
40	70050030075		YJ1E40FN. 1	1
41	03010010039	M6*60	GB/T70. 1 M6×60	2
42	03020020053	M5*12	GB/T9074. 4 M5*12	4
43	03020020034	M5*25	GB/T9074. 4 M5*25	2
44	02020120068		1031 2210 (1E40FN)	1
45	03050010012	6	GB/T93 6	2
46	03040020015	6	GB/T97. 1 6	2
47	02070010178		YJ1E40FN-5	1
48	70030020014		1031 1311 1E40FN	1
49	02020160250		1031 5211 1E40FN	1
50	70030040044		1031 5213 1E40FN	1
51	02050020033	H142A-40A	H142A-40A 1E40FN	1
52	02070010055		1031 5212 1E40FN	1
53	02020040036		N30 E1001 8342A	1
54	70030040047		1031 5310 1E40FN	1
55	02090010014		1031 5411 1E40FN	1
56	03020020031	M5*60	GB/T9074. 4 M5*60	2
57	70030040140		YJQE40FN-2	1
58	70030180372		YJ1E34FN. 1	1
59		90mm		1
60	02050010007		1031 1541 1E40FN	1
61		100mm		1
62	02050020127		1E37F	1
63	70070050006		1031 3113 1E40FN	1
64	03100010025	12*28*7	8940122807 12*28*7	1
65	02050100010		1021 6210 1E36FN	1
66	03020020012	M5*20	GB/T9074. 4 M5*20	3
67	02050070004		1031 6100 1E40FN	1
68	03020020027	M5*16	GB/T9074. 4 M5*16	4
69	02070010137		1031 1561 1E40FN	1
70	03040050050	6	DGJ260. 5-5 φ6	2
71	03040020018	8	GB/T97. 1 8	1
72	03050010008	8	GB/T93	1