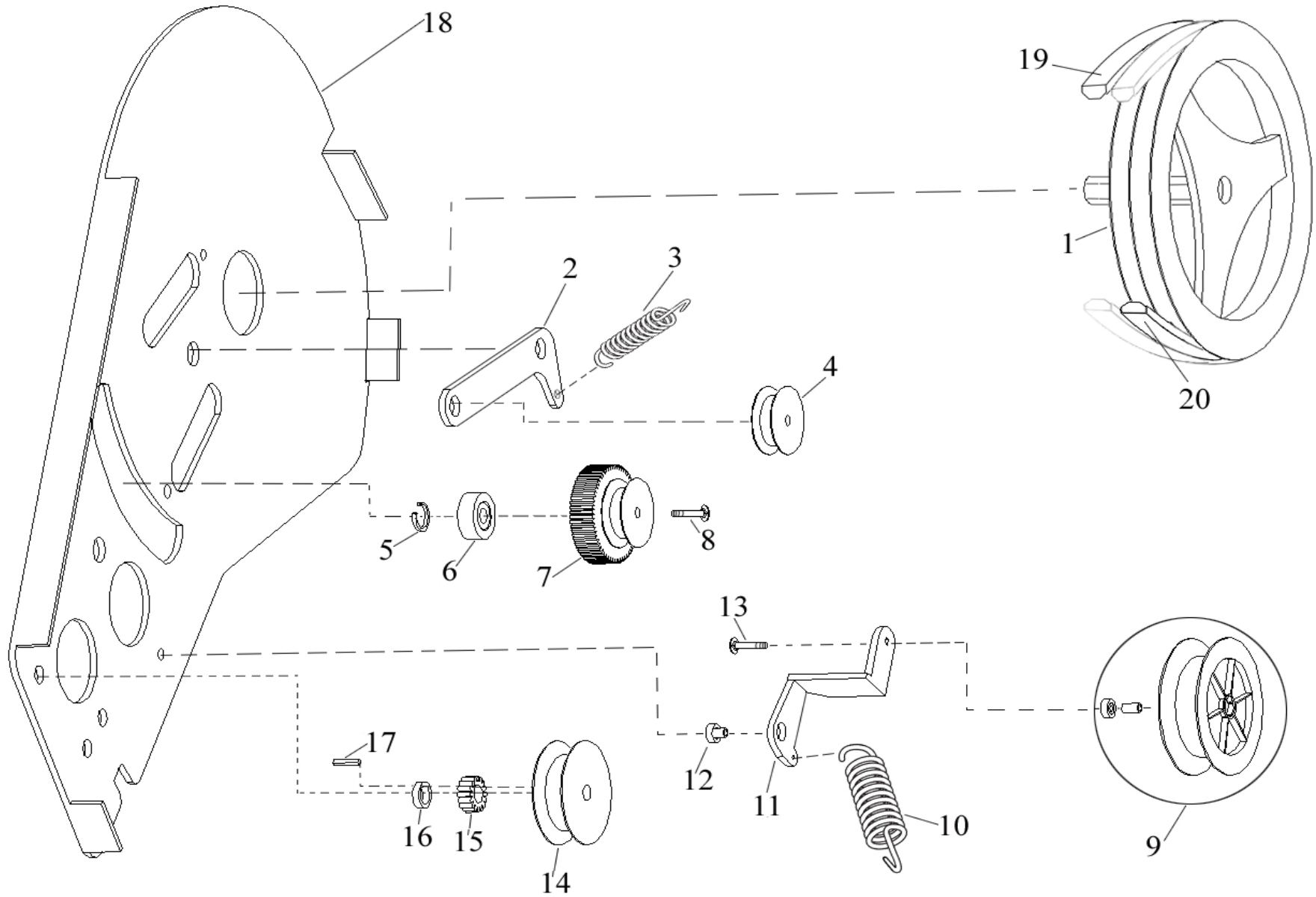
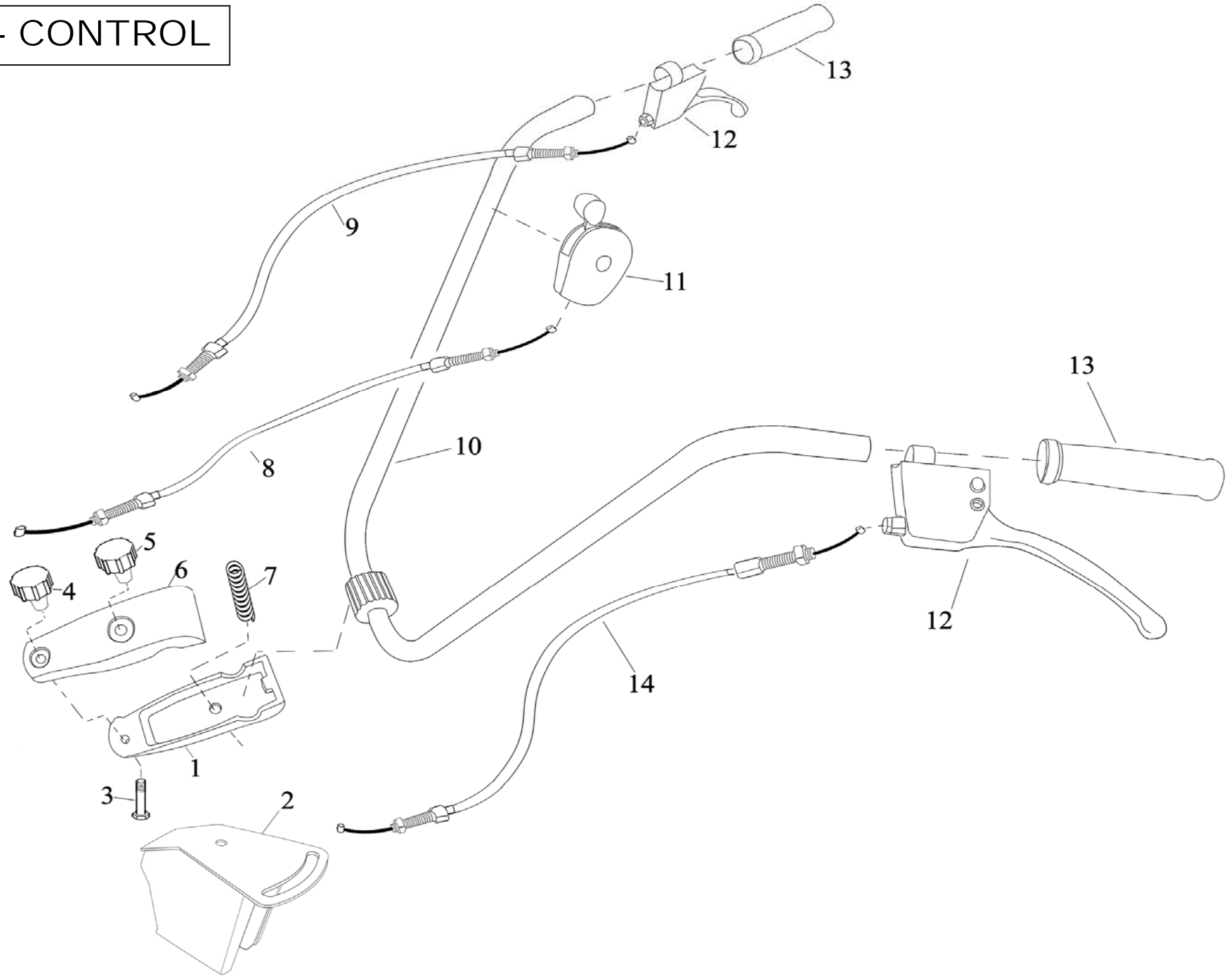


# 01 V-BELT



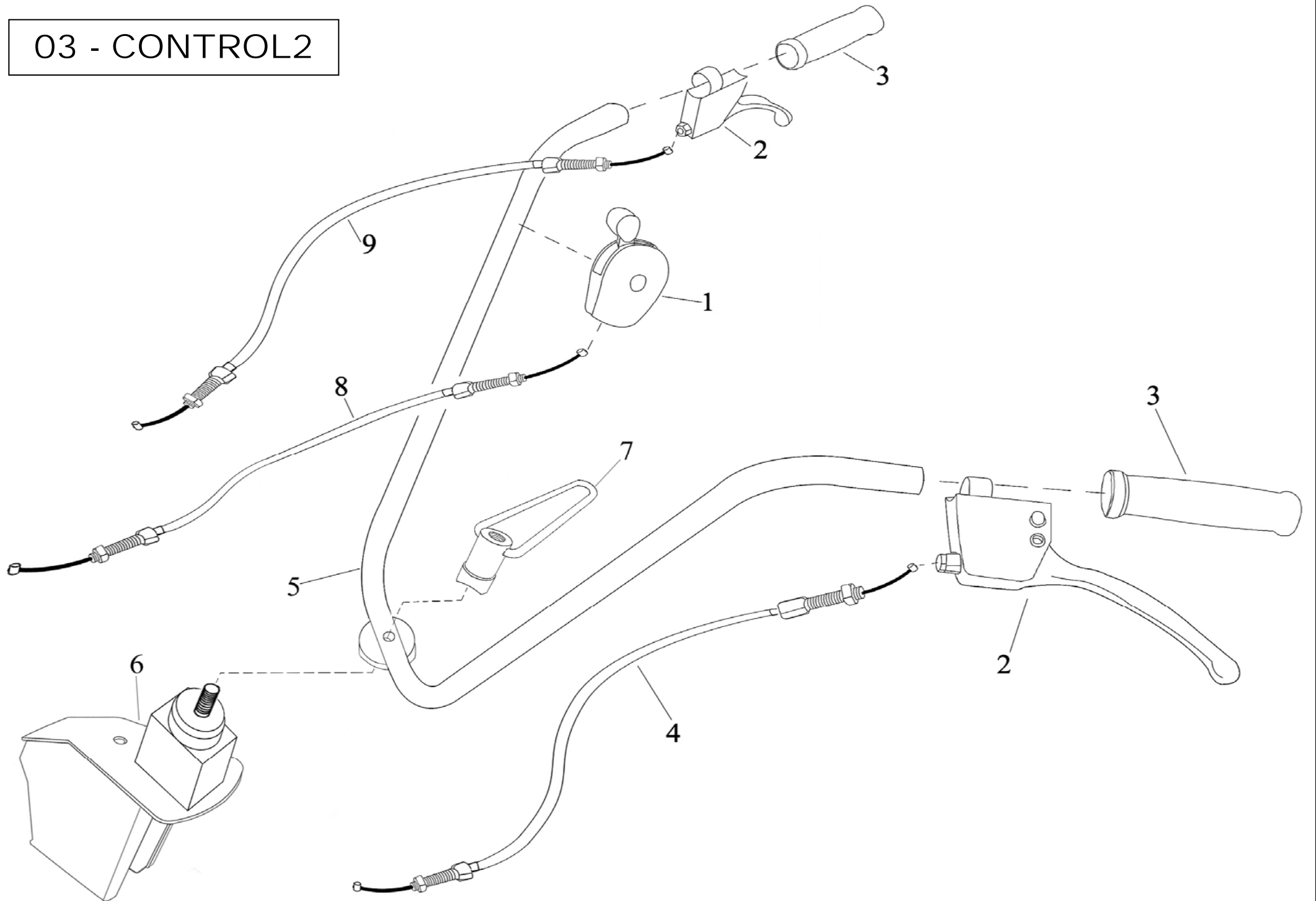
<b>N.</b>	<b>GSP CODE</b>	<b>DESCRIPTION</b>	<b>QTY</b>	
1	TB50003000	Driving Pulley	1	
2	TB50003001	Arm	1	
3	TB50003002	Spring	1	
4	TB50003003	Pulley	1	
5	TB50003004	Circlip	1	
6	TB50003005	Ball bearing	1	
7	TB50003006	Gear	1	
8	TB50003007	Pulley	1	
9	TB50003008	Tensioner Pulley comp.	1	
10	TB50003009	Spring	1	
11	TB50003010	Stand jointing	1	
12	TB50003011	Bush	1	
13	TB50003012	Bolt	1	
14	TB50003013	Driving Pulley	1	
15	TB50003014	Gear	1	
16	TB50003015	Fitting	1	
17	TB50003016	Key	1	
18	TB50003017	Internal Plate	1	
19	TB50003018	Reverse Belt	1	
20	TB50003019	Forward Belt	1	

# 02 - CONTROL



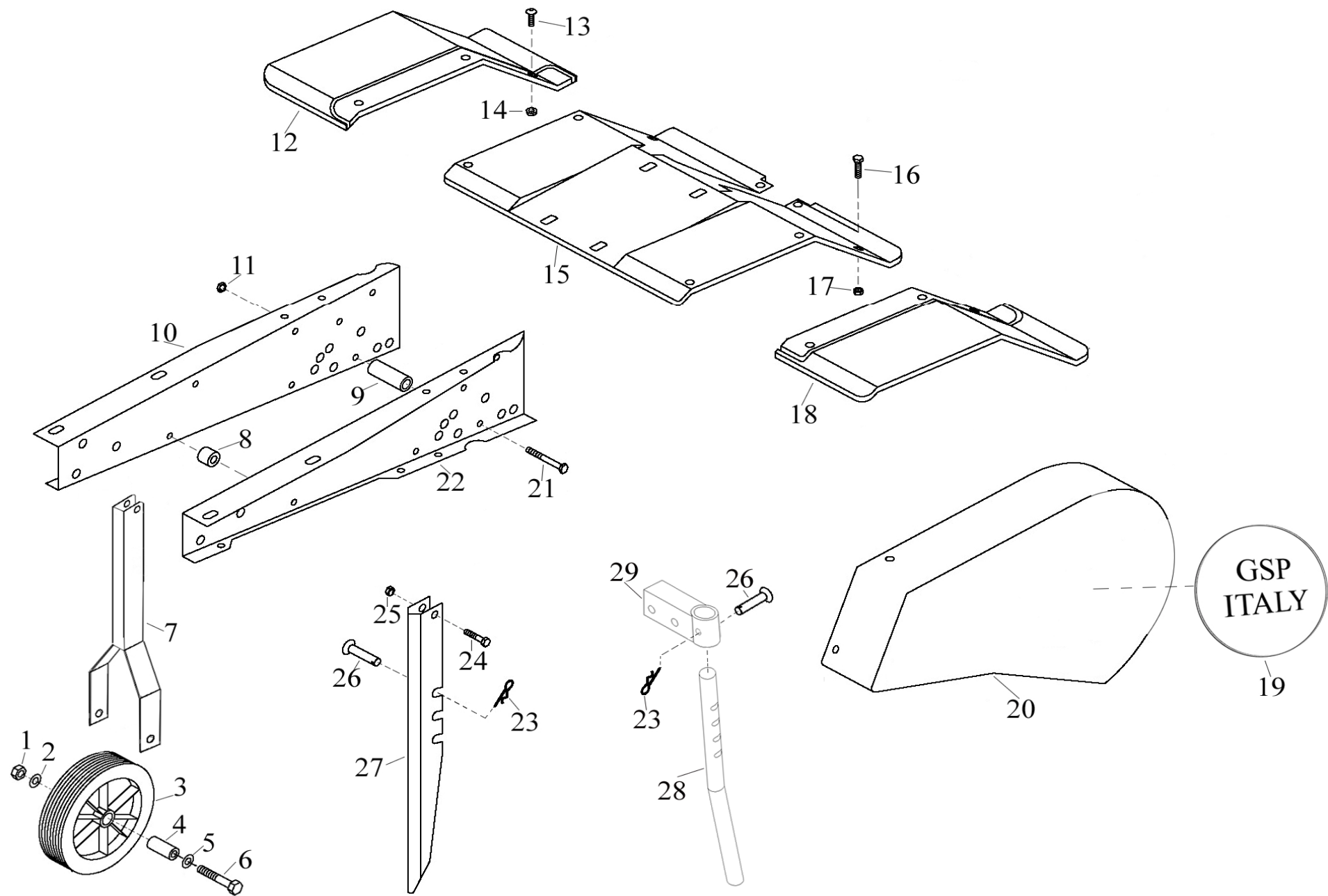
<b>N.</b>	<b>GSP CODE</b>	<b>DESCRIPTION</b>	<b>QTY</b>	
1	TB50002000	Handle Support Down	1	
2	TB50002001	Consol	1	
3	TB50002002	Screw	1	
4	TB50002003	Closing Knob M8	1	
5	TB50002004	Closing Knob M10	1	
6	TB50002005	Handle Support Up	1	
7	TB50002006	Spring	1	
8	TB50002007	Throttle Cable	1	
9	TB50002008	Forward Cable	1	
10	TB50002009	Handle	1	
11	TB50002010	Throttle Control	1	
12	TB50002011	Clutch handle	2	
13	TB50002012	Plast grip	3	
14	TB50002013	Reverse Cable	1	

# 03 - CONTROL2



<b>N.</b>	<b>GSP CODE</b>	<b>DESCRIPTION</b>	<b>QTY</b>	
1	TB50002010	Throttle Control	1	
2	TB50002011	Clutch handle	2	
3	TB50002012	Plast grip	2	
4	TB50002013	Reverse Cable	1	
5	TB50001001	Handle2	1	
6	TB50001002	Handle Support	1	
7	TB50001003	Handle Closing Lever	1	
8	TB50002007	Throttle Cable	1	
9	TB50002008	Forward Cable	1	

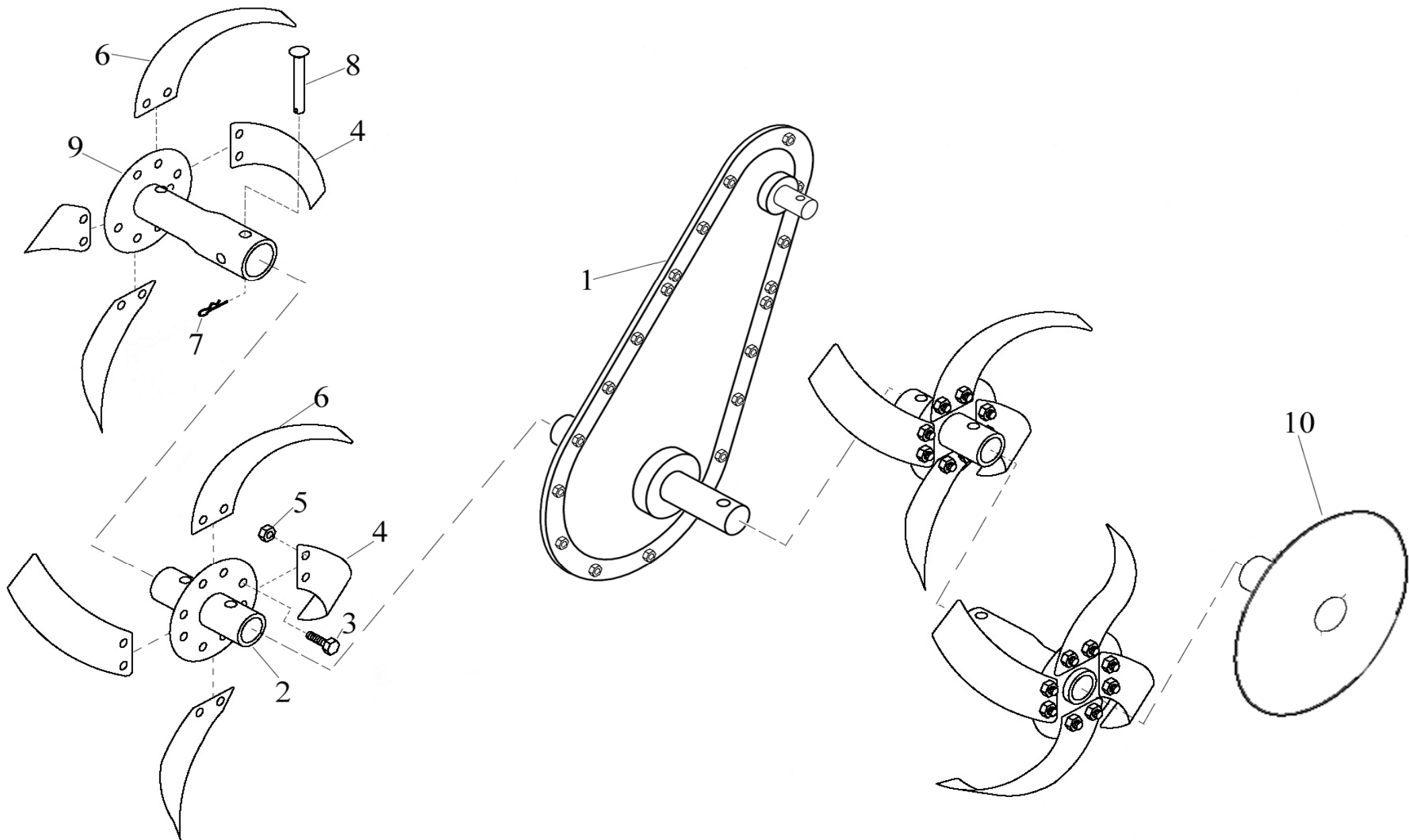
# 04 - FRAME



<b>N.</b>	<b>GSP CODE</b>	<b>DESCRIPTION</b>	<b>QTY</b>	
1	\	Nut		
2	\	Washer		
3	TB50004000	Wheel		
4	\	Bushing (Wheel)		
5	\	Washer		
6	\	Bolt		
7	TB50004001	Fork, Wheel		
8	TB50004002	Bushing1		
9	TB50004003	Bushing2		
10	TB50004004	Frame R		
11	\	Nut		
12	TB50004005	Outer Sheet R		
13	\	Bolt		
14	\	Nut		
15	TB50004006	Sheet		
16	\	Bolt		
17	\	Nut		
18	TB50004007	Outer Sheet L		
19	TB50004008	Label		
20	TB50004009	Cover		
21	\	Bolt		
22	TB50004010	Frame L		
23	TB50004011	Cotter pin		
24	\	Bolt		
25	\	Nut		
26	TB50004012	Cotter bolt		
27	TB50004013	Depth skid (Old model)		
28	TB50004014	Depth skid (New model)		



05 - BLADE



<b>N.</b>	<b>GSP CODE</b>	<b>DESCRIPTION</b>	<b>QTY</b>	
1	TB50005000	Chain Box	1	
2	TB50005001	Tube inner	2	
3	\	Bolt		
4	TB50005003	Knives L	8	
5	\	Nut		
6	TB50005005	Knives R	8	
7	TB50005006	Cotter pin	2	
8	TB50005007	Cotter bolt	2	
9	TB50005008	Tube outer	2	
10	TB50005009	Blade Protection		