

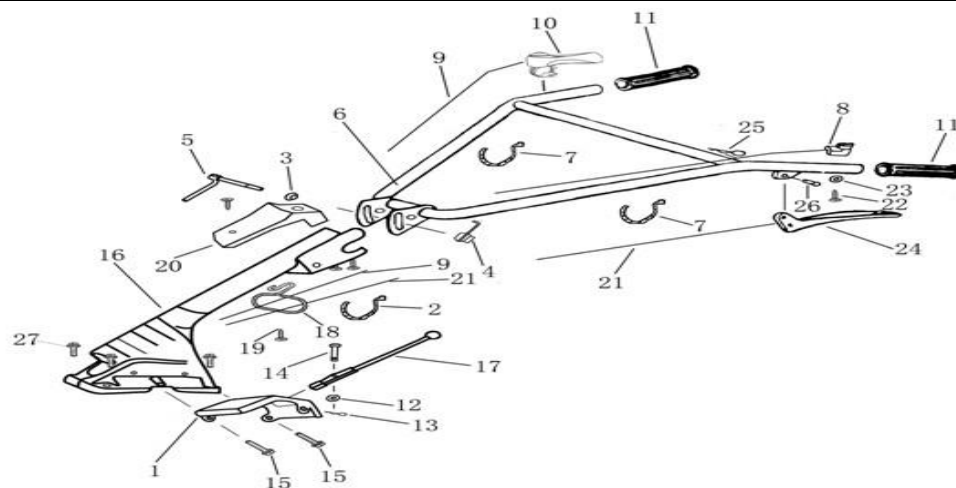
CATALOGUE

FRONT WHEEL PART	1
TENSION PULLEY	3
ARMREST CONTROL ASSY	4
(1) GEAR BOX(1)	7
(2) GEAR BOX(2)	11
TILLING BLADE	13
GUARDS OF TILLER.....	14
JUNCTION PIECES.....	16
DEEP FURROWING RESISTANCE PART.....	21



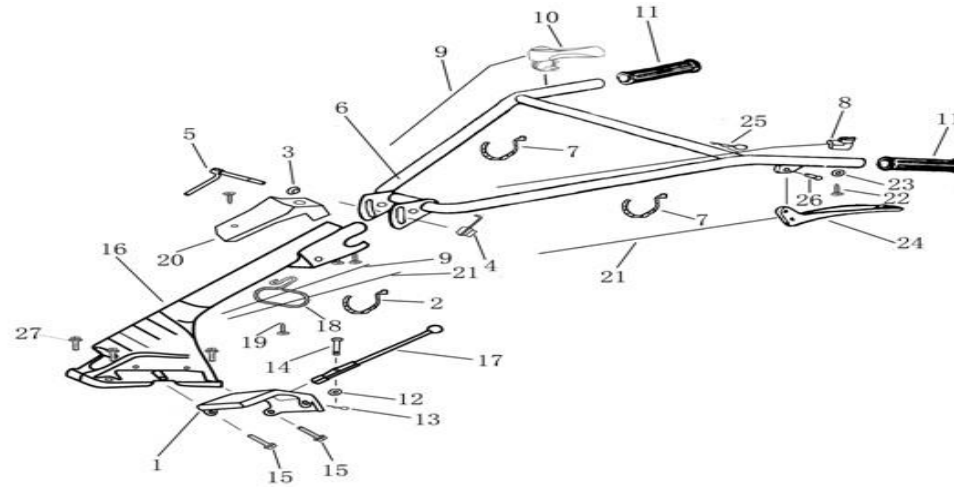
TENSION PULLEY

No.	Part No.		DESCRIPTION	Quantity
1	2.06.04.002300		STAND JOINTING COMP	1
2				
3				



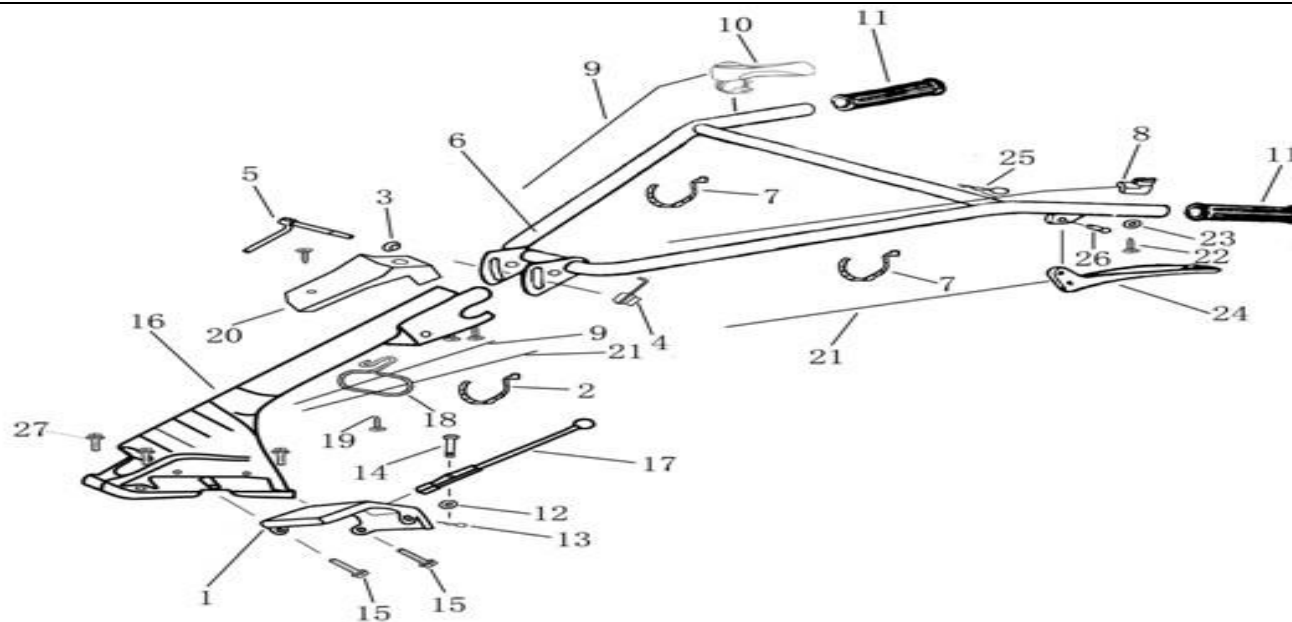
ARMREST CONTROL ASSY

No.	Part No.	DESCRIPTION	Quantity
1	2.05.01.003700	Gear Position Indication Stand	1
2	2.09.07.000100	BAND A	1
3	2.07.01.009900	WIMBLE BUSH	1
4	2.06.04.002400	STAND COMP	1
5	2.03.06.001200	HANDLE ADJUSTER COMP	1
6	2.04.08.000500	HANDLE COMP	1
7	2.09.07.000200	BAND B	2
8/22/23	2.10.03.000400	SHUT DOWN SWITCH COMP	1
/	/	/	/
9/10	2.08.01.000800	THROTTLE HANDLEBAR	1



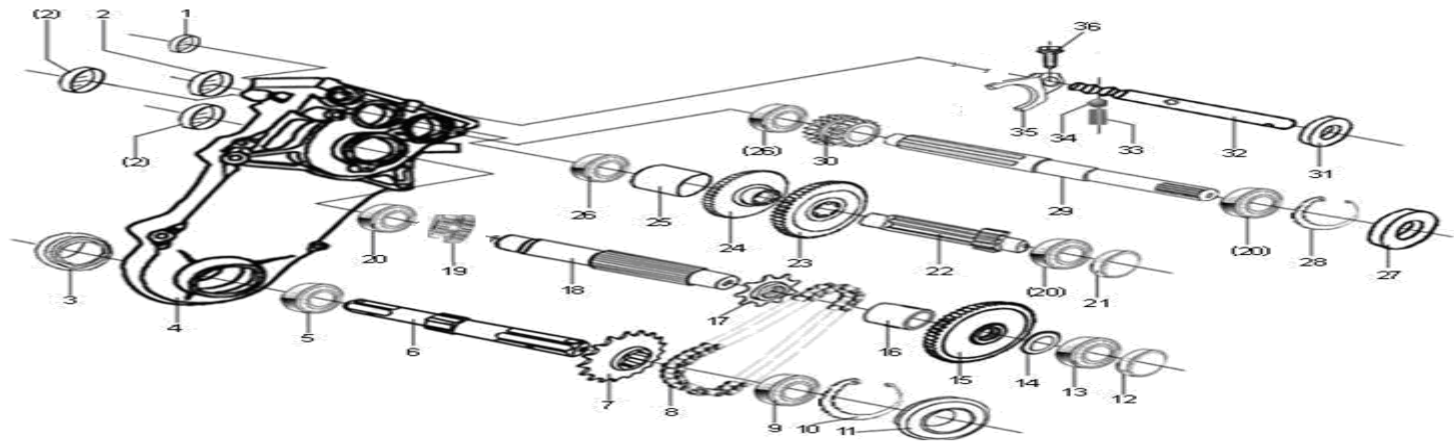
ARMREST CONTROL ASSY

No.	Part No.	DESCRIPTION	Quantity
11	2. 09. 06. 000400	GRIP	2
/	/	/	/
13	2. 63. 01. 00040	GARTER SPRING A	1
14	2. 63. 01. 00574	PIN 5×23	1
15	2. 63. 01. 00167	BOLT M6×10	2
16	2. 04. 09. 004000	TANDING PIPE JOINTING	1
17	2. 03. 01. 002300	SHIFT LEVER	1
18	2. 06. 04. 000800	LOOP	1
19	2. 63. 01. 00330	SCREW M5×10	4
20	2. 09. 03. 000200	INLET COVER	1



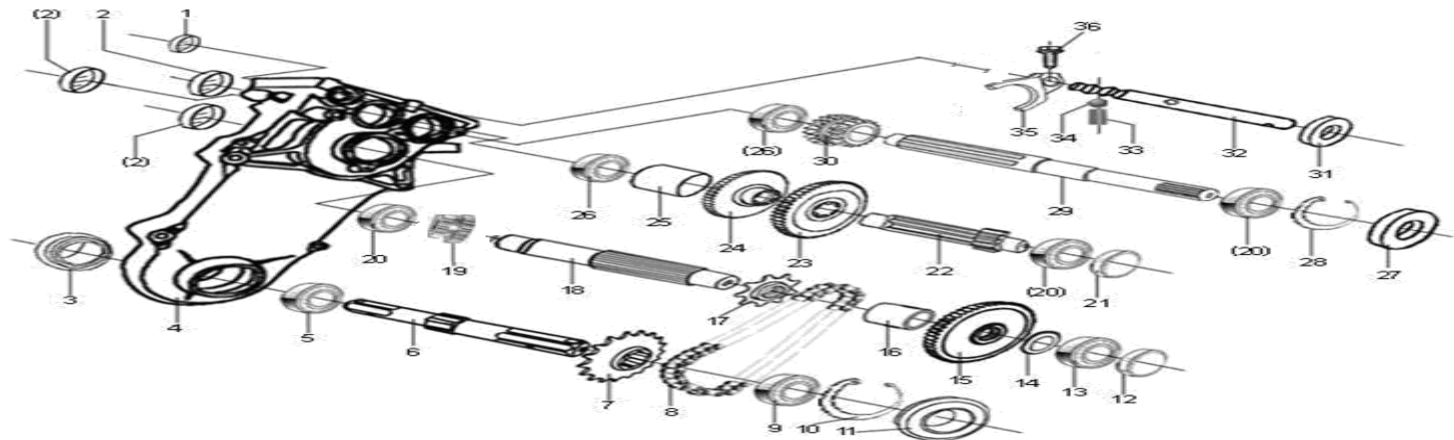
ARMREST CONTROL ASSY

No.	Part No.		DESCRIPTION	Quantity
21	2.08.02.002800		TENSIONER CABLE	1
/	/	/	/	/
/	/	/	/	/
24	2.03.05.000300		TENSIONER HANDLE	1
/	/	/	/	/
26	2.06.01.001000		PIN 8×27	1
27	2.63.01.00202		BOLT M8×16	4



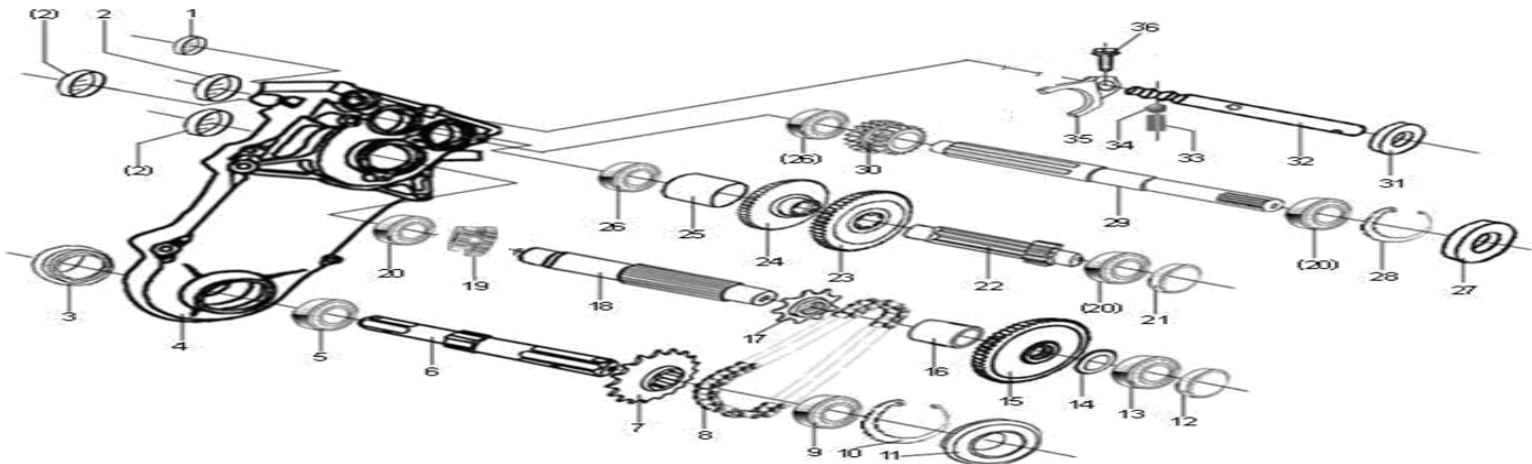
GEAR BOX (1)

No.	Part No.		DESCRIPTION	Quantity
1	2. 09. 02. 000200		OIL PLUG B	1
2	2. 09. 02. 000100		OIL PLUGA	3
3	2. 09. 04. 000400		OIL PLUG B	1
4	2. 01. 01. 000400		GEAR BOX	1
5	2. 63. 02. 000800		BEARING 6005	1
6	2. 02. 01. 001800		DRIVEN SPROCKET SHAFT	1
7	2. 02. 04. 000300		DRIVERN SPOCKET	1
8	2. 02. 03. 001200		CHAIN	1
9	2. 63. 02. 001100		BEARING 6205	1
10	2. 63. 01. 00347		CHECK RING 52	1



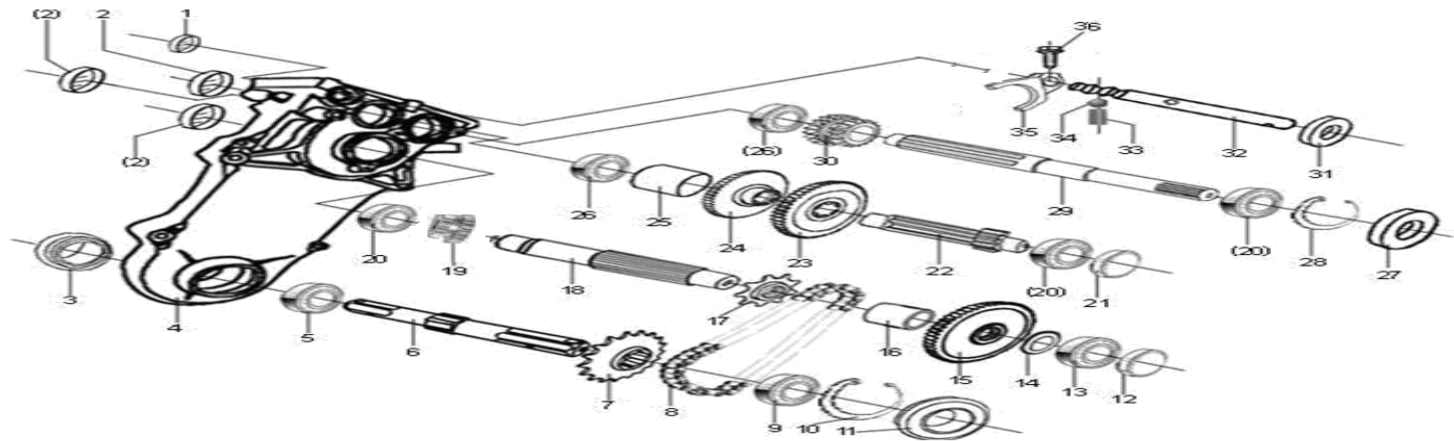
GEAR BOX (1)

No.	Part No.	DESCRIPTION	Quantity
11	2. 09. 04. 000500	OIL PLUG A	1
12	2. 07. 01. 002100	BUSH D	1
13	2. 63. 02. 001000	BEARING 6203	1
14	2. 07. 01. 003500	SR1Z-750/80B BAKUP PLATE	1
15	2. 02. 02. 001000	DRIVING GEAR	1
16	2. 07. 01. 000400	BUSH I	1
17	2. 02. 04. 000100	DRIVING SPROCKET	1
18	2. 02. 01. 001000	DRIVING SPROCKET SHAFT	1
19	2. 02. 02. 004400	IDLER	1
20	2. 63. 02. 000900	BEARING 6202	3



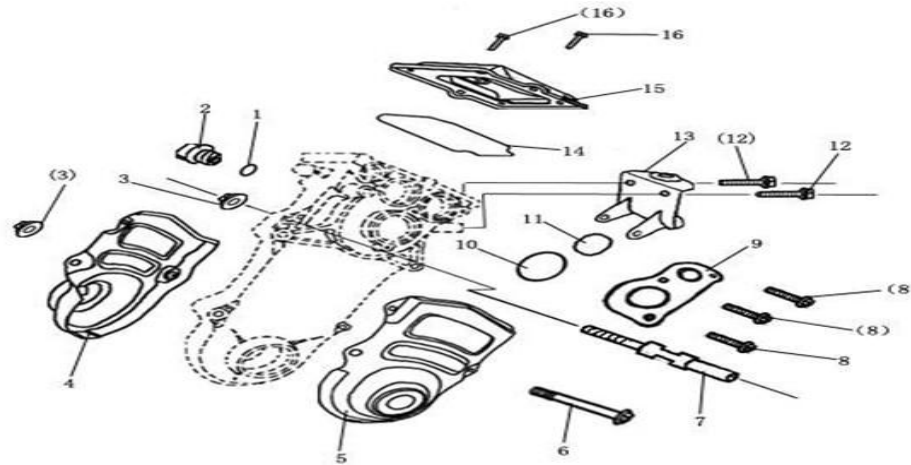
GEAR BOX (1)

No.	Part No.	DESCRIPTION	Quantity
21	2.07.01.002100	BUSH C	1
22	2.02.01.000900	COUNTER SHAFT	1
23	2.02.02.000600	THE 1ST DRIVEN GEAR	1
24	2.02.02.000800	THE 2ST DRIVEN GEAR	1
25	2.07.01.000100	BUSH F	1
26	2.63.02.000700	BEARING 6002	2
27	2.09.04.000200	OIL SEAL 16×35×7	1
28	2.07.03.000100	CIRCLIP35.3	1
29	2.02.01.000200	MAIN SHAFT	1
30	2.02.02.003900	TWO-THROW GEAR	1



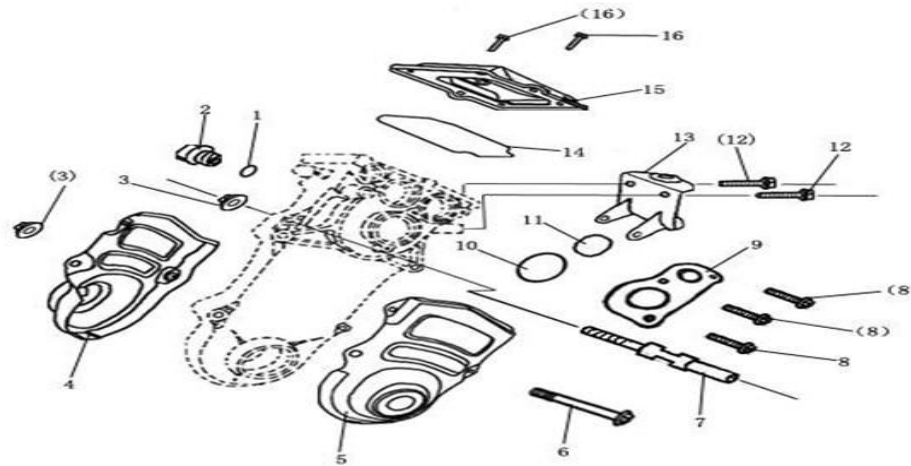
GEAR BOX (1)

No.	Part No.		DESCRIPTION	Quantity
31	2.09.04.000100		OIL SEAL 12×22×6	1
32	2.02.06.000900		SHIFT FORK SHAFT	1
33	2.07.04.000200		SPRING	1
34	2.06.04.000100		STELL BALL SΦ6.3	
35	2.02.05.000100		SHIFT FORK	1
36	2.63.01.00178		BOLT M6×20	1



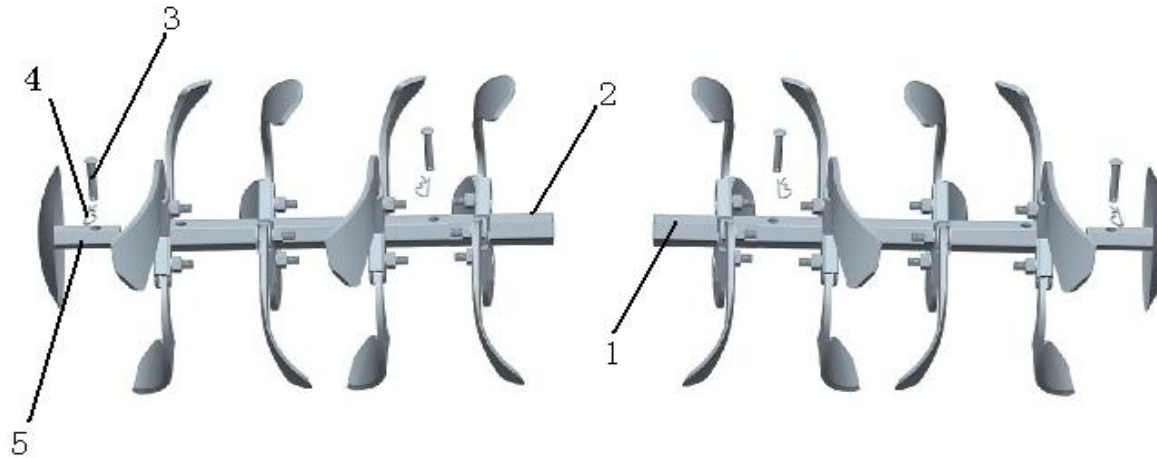
GEAR BOX (2)

No.	Part No.		DESCRIPTION	Quantity
1	2.09.01.000800		O-RING 17×2	1
2	2.51.07.000300		OIL HOLE PLUG	1
3	2.63.01.00811		NUT M8	2
4	2.05.01.007800		GEAR BOX RIGHT COVER	1
5	2.05.01.007700		GEAR BOX LEFT COVER	1
6	2.63.01.00187		BOLT M6×40	1
7	2.06.04.018800		TAKE-UP TUMBLER BACKING ROLLER	1
8	2.63.01.00172		BOLT M6×12	3
9	2.06.02.000500		OIL STOPPER	1
10	2.09.01.000200		O-RING 43.5×2.6	1



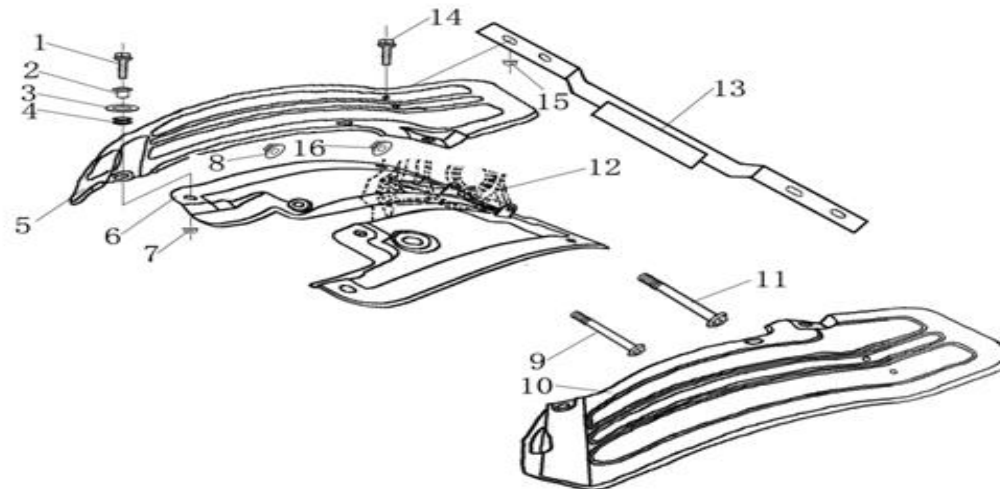
GEAR BOX (2)

No.	Part No.		DESCRIPTION	Quantity
11	2.09.01.000100		O-RING 39X2.6	1
12	2.63.01.00203		BOLT M8×20	2
13	2.04.11.002500		HINGE COMP	1
14	2.09.01.002900		SEAL RING OF TOP COVER	1
15	2.05.01.008500		TOP COVER COMP OF GEAR BOXT	1
16	2.63.01.00172		BOLT M6×12	2



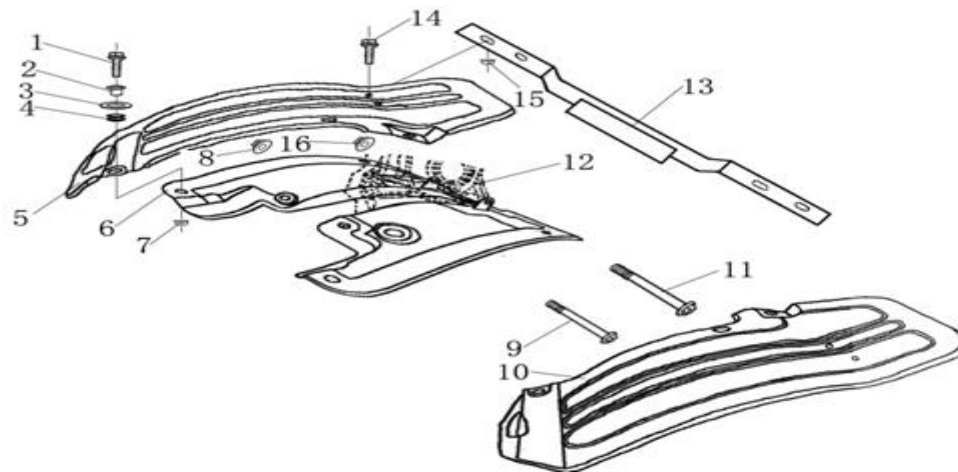
TILLING BLADE

No.	Part No.	DESCRIPTION	Quantity
1	2. 12. 01. 008600	ROTRAY BLADE (RIGHT)	1
2	2. 12. 01. 008500	ROTRAY BLADE (LEFT)	1
3	2. 63. 01. 00339	PIN ROLL / ϕ 8*50	4
4	2. 63. 01. 01502	PIN B	4
5	2. 12. 01. 003003	TRIMMING WHEEL	2



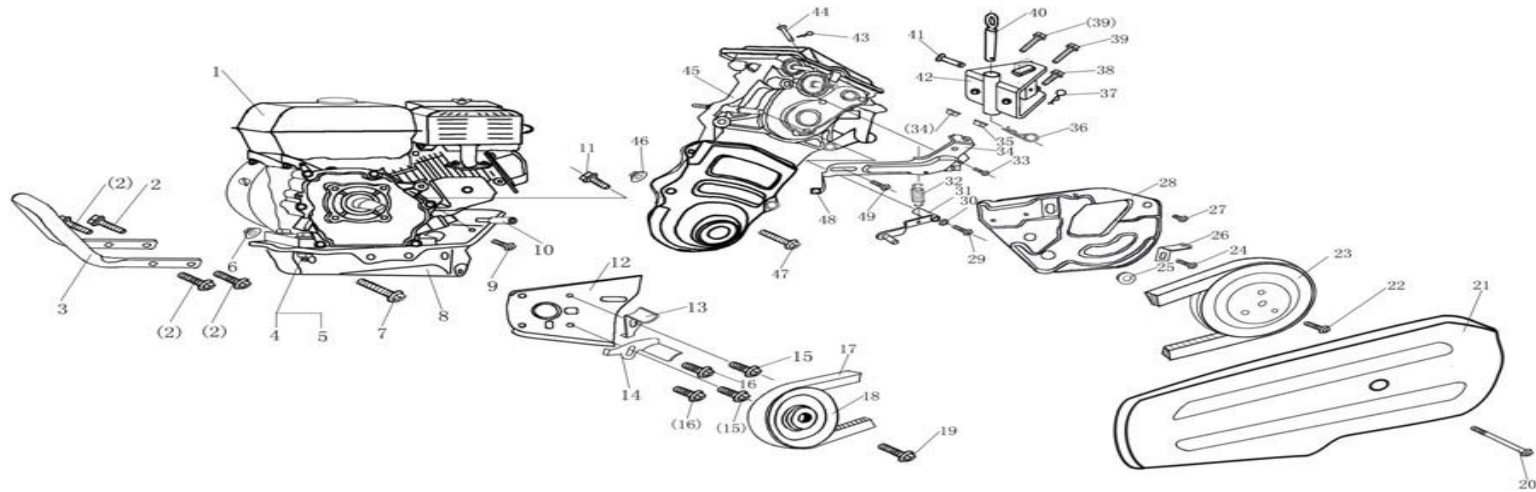
GUARDS OF TILLER

No.	Part No.		DESCRIPTION	Quantity
1	0004.00062		BOLT M6×16	6
2	2.07.01.001700		BUSH J	6
4	2.09.06.001100		RUBBER SLEEVE	6
5	2.04.04.001700		RIGHT FENDER	1
6	2.04.04.002200		INNER FENDER	1
7	2.63.01.00890		NUT M6	6
8	2.63.01.00577		NUT M8	1
9	2.63.01.00218		BOLT M8×70	1
10	2.04.04.001600		LEFT FENDER	1



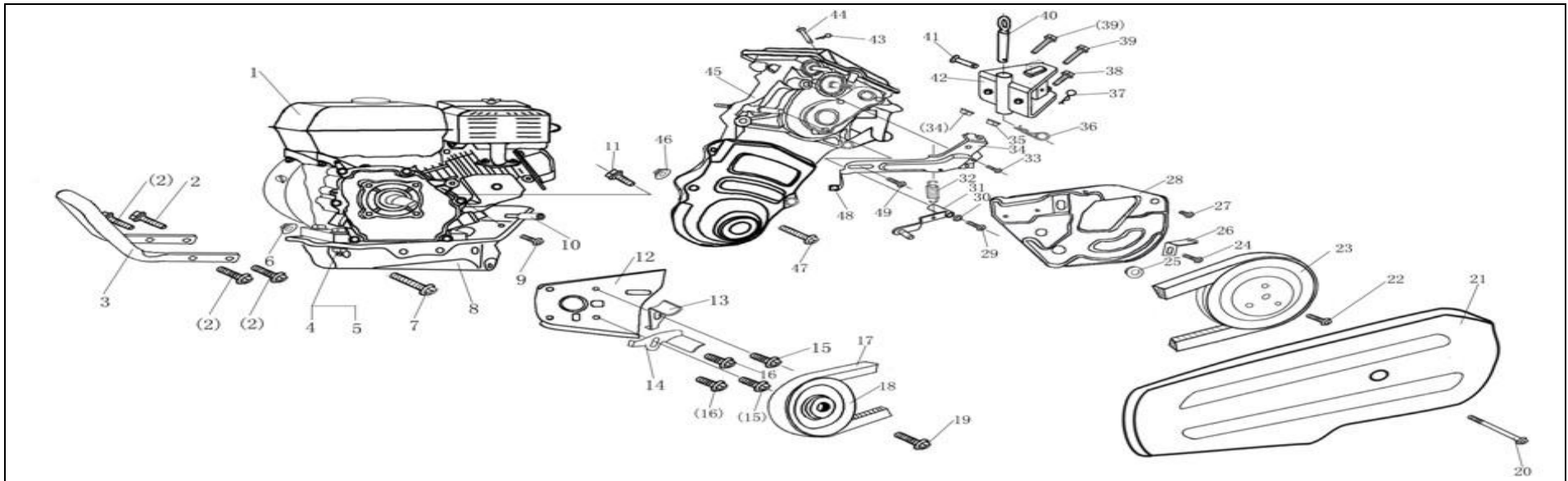
GUARDS OF TILLER

No.	Part No.		DESCRIPTION	Quantity
11	2. 63. 01. 00156		BOLT M10×90	1
/	/	/	/	/
13	2. 04. 05. 020200		CONNECTING PLATE	1
14	2. 63. 01. 00172		BOLT M6×12	4
15	2. 63. 01. 00890		Nut M6	4
16	2. 63. 01. 00261		NUT M10	1



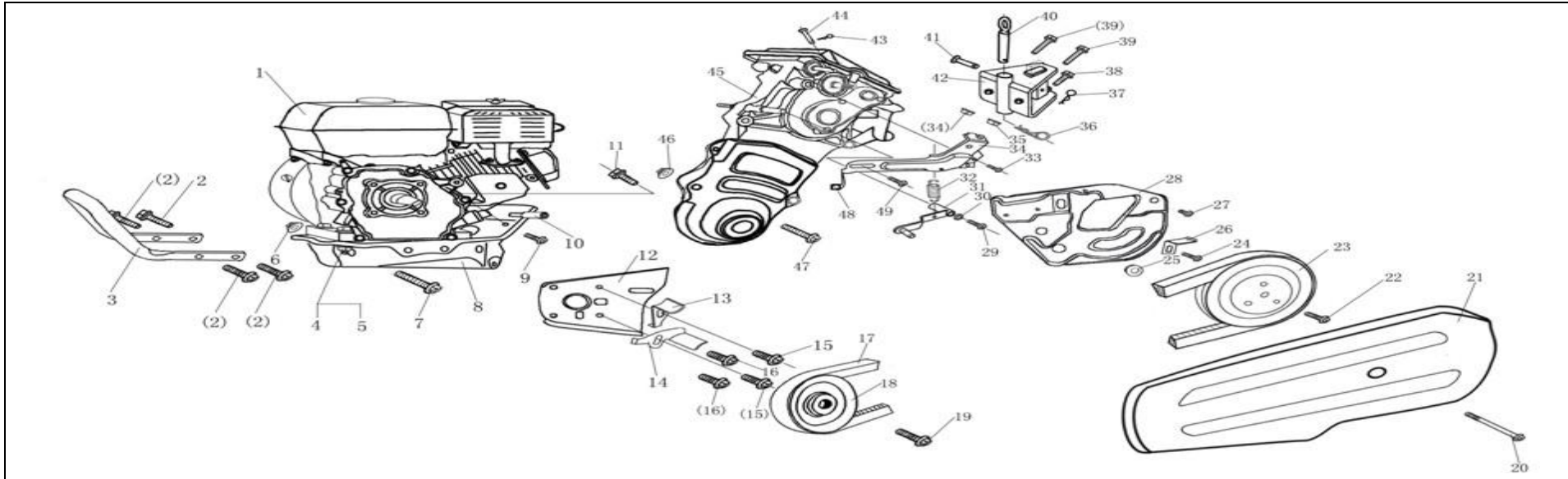
JUNCTION PIECES

No.	Part No.		DESCRIPTION	Quantity
	5.01.010.000067		GASOLINE ENGINE SR168F-2	1
2	2.63.01.00202		BOLT M8×16	4
3	2.04.08.000500		HANDRAIL	1
4	2.63.01.00577		NUT M8	4
5	2.63.01.00211		BOLT M8×40	4
6	2.63.01.00261		NUT M10	2
/	/	/	/	/
8	2.04.01.000600		ENGINEBEARER	1
/	/	/	/	/
10	2.63.01.00205		TENSIONER BUFFER	1



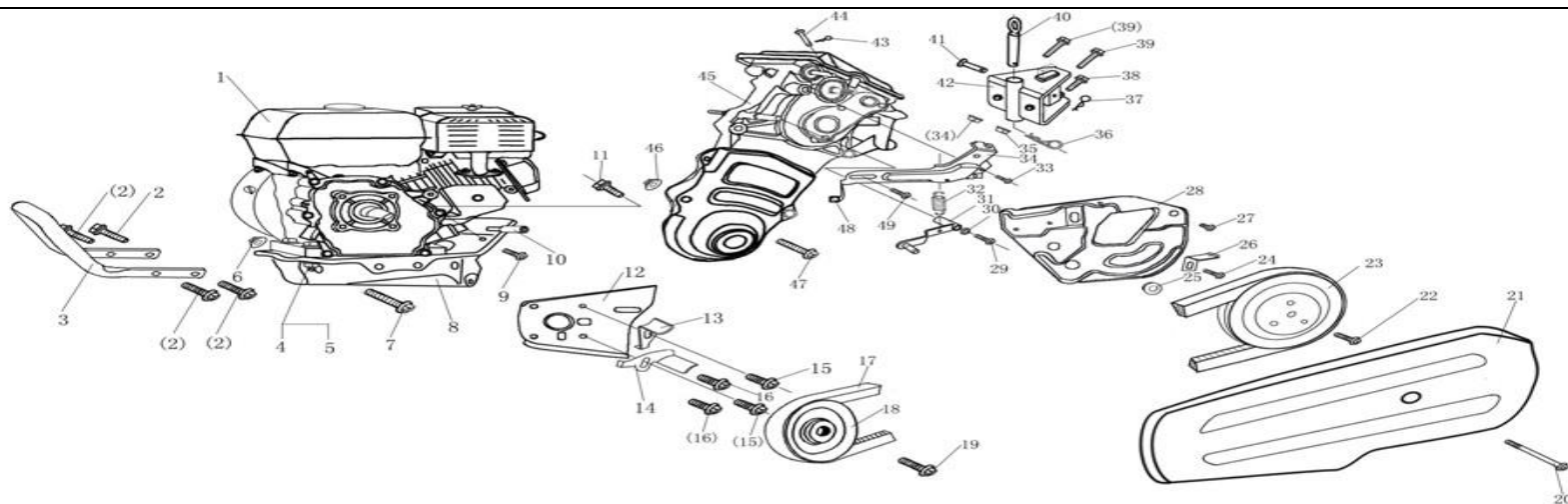
JUNCTION PIECES

No.	Part No.		DESCRIPTION	Quantity
/	/	/	/	/
12	2.05.01.009300		DRIVING PULLEY PLATER	1
13	2.05.01.008100		V-BELT GUARD B	1
14	2.05.01.008200		V-Belt GUARD C	1
15	2.63.01.00202		BOLT M8×16	2
16	2.63.01.00203		BOLT M8×20	2
17	2.02.07.000400		V-BELT	1
18	2.02.08.000800		DRIVING PULLEY	1
19	2.63.01.00203		BOLT M8×20	1
20	2.63.01.00191		BOLT M6×55	1



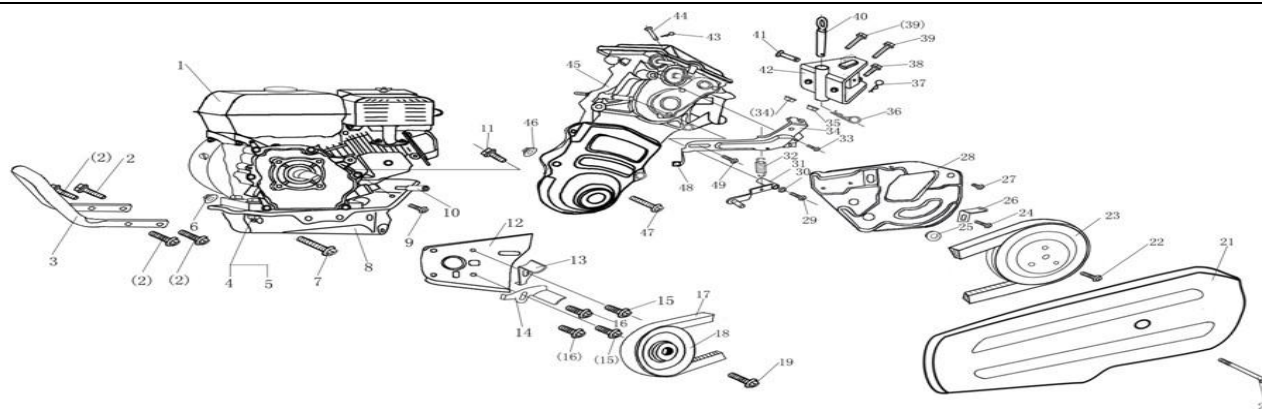
JUNCTION PIECES

No.	Part No.	DESCRIPTION	Quantity
21	2.04.06.000800	BELT PROTECTOR	1
22	2.63.01.00203	BOLT M8×20	1
23	2.02.08.000700	DRIVE PULLEY COMP	1
24	2.63.01.00177	BOLT M6×16	1
25	2.63.01.00398		1
26	2.05.01.008300	V-BELT GUARD A	1
27	2.63.01.00167	BOLT M6×8	1
28	2.05.01.008000	PASSIVITY PULLEY PLATE	1
29	2.63.01.00172	BOLT M6×12	1
30	2.63.01.00398	WASHER 6	1



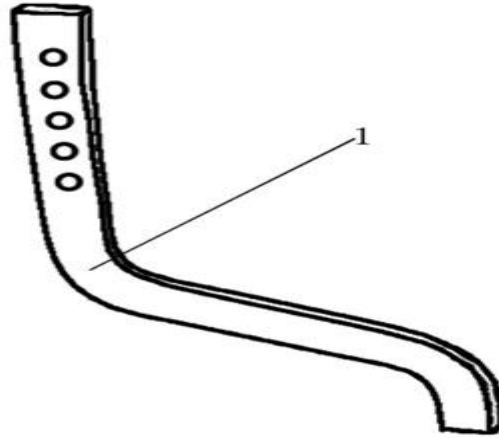
JUNCTION PIECES

No.	Part No.	DESCRIPTION	Quantity
31	2. 06. 04. 002300	SUPPORT WELDING COMP	1
32	2. 07. 04. 005800	TENSIONER SPRING	1
33	2. 63. 01. 00202	BOLT M8×16	1
34	2. 05. 02. 001000	CONNECTING PLATE	1
35	2. 63. 01. 00270	NUT M8	2
36	2. 63. 01. 00043	GARTER SPRING C	1
37	2. 63. 01. 00044	GARTER SPRING B	1
38	2. 63. 01. 00203	BOLT M8×20	1
39	2. 63. 01. 00207	BOLT M8×30	2
40	2. 06. 01. 000100	PIN SPINDLE	1



JUNCTION PIECES

No.	Part No.		DESCRIPTION	Quantity
41	2. 63. 01. 00339		PIN SPINDLE 8×30	1
42	2. 04. 12. 000100		RATORY BLADE CONNECTING SET	1
43	2. 63. 01. 01504		GARTER SPRING A	1
44	2. 63. 01. 00008		PIN SPINDLE 5×25	1
46	2. 63. 01. 00270		NUT M8	1
47	2. 63. 01. 00214		BOLT M8×55	1
48	2. 63. 01. 00203		BOLT M8×18	1



DEEP FURROWING RESISTANCE PART

No.	Part No.		DESCRIPTION	Quantity
1	2. 04. 13. 000400		DEEP FURROWING RESISTANCE PART	1
2				
3				
4				
5				
6				
7				
8				
9				
10				