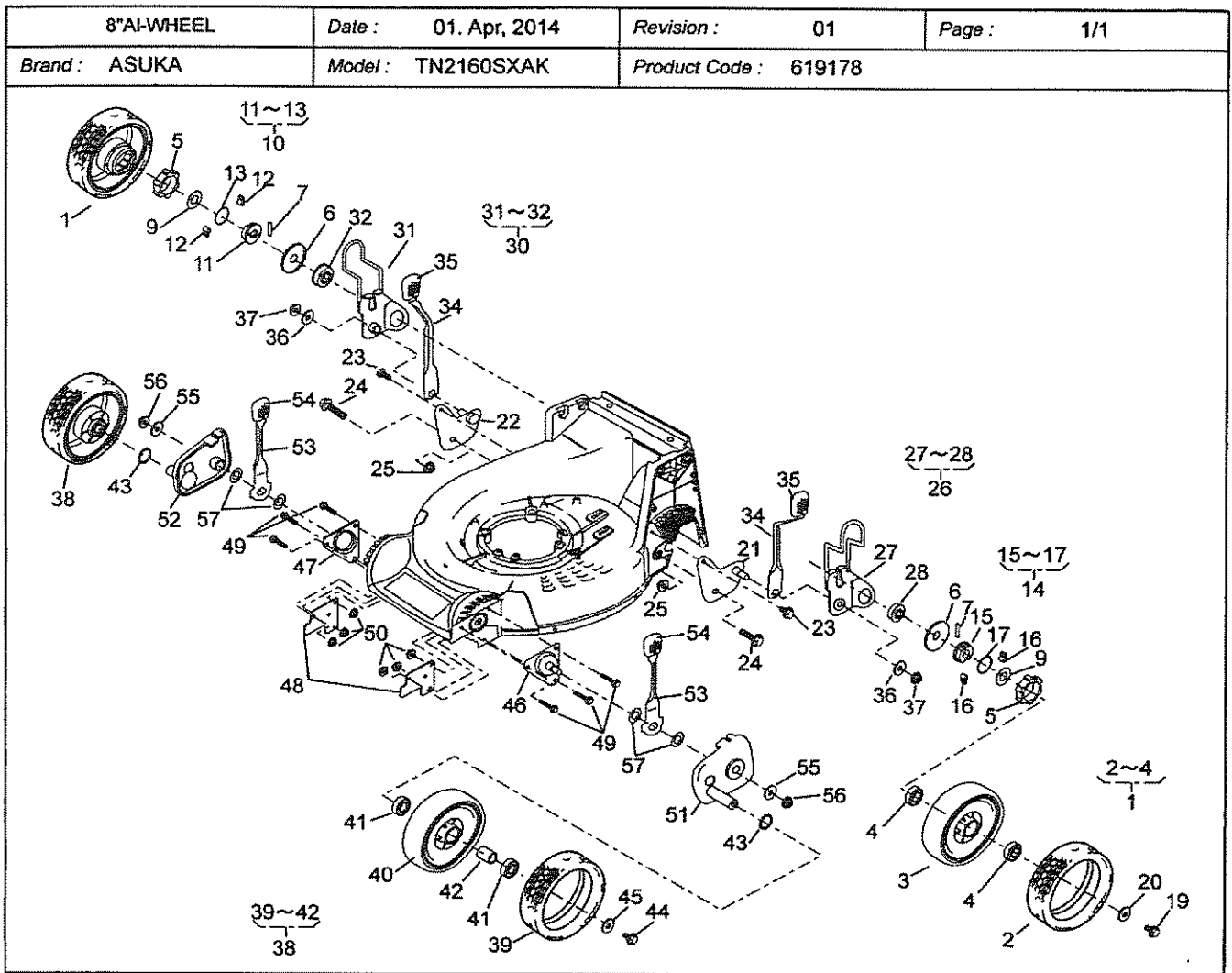


GRASS-CUTTING
 Brand: ASUKA
 P.cd: 619178

Date: 1-Apr-2014
 Revision: 02

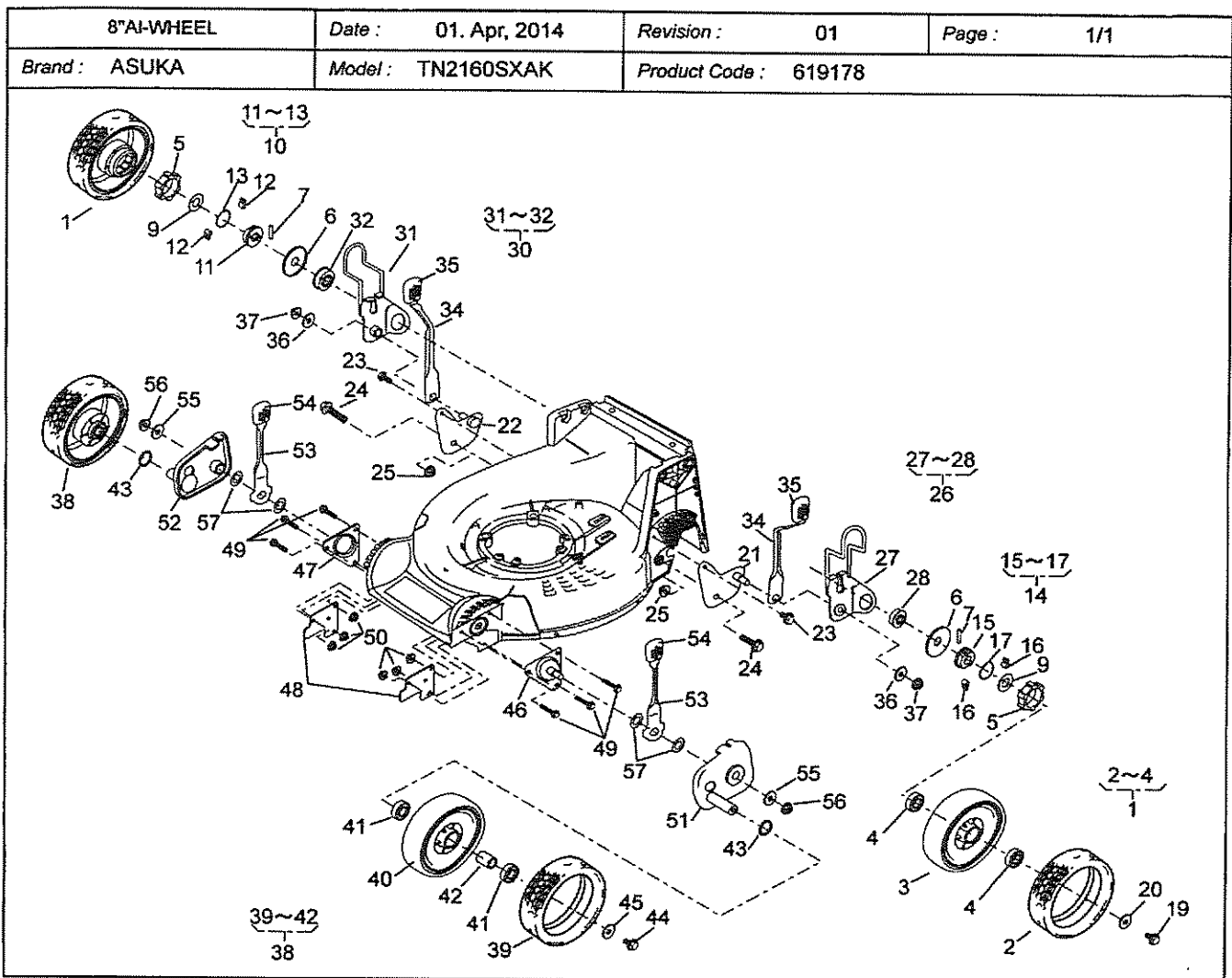
(A): TN2160SXAK
 (B):
 (C):

Ref.No	Parts.No	Parts.Name	Q'ty			Remarks	Recomm(%) Lot.100
			(A)	(B)	(C)		
1	51043-151-02	HOUSING	1				3
3	51090-117-09	PROTECTOR	1				5
4	335L0616	FLANGE BOLT	4				3
5	512L0600	HEXAGON NUT	4				3
6	36065-180	COVER	1				3
7	342L0612	FLANGE TAPPING BOLT	1				3
10	11006-155	STAY C.P.	1				5
11	342L0612	FLANGE TAPPING BOLT	2				3
12	11113-407	STAY	1				3
13	342L0612	FLANGE TAPPING BOLT	1				3
14	11113-292	STAY	1				3
15	342L0612	FLANGE TAPPING BOLT	2				3
16	36068-196-02	GUARD	1				3
17	36080-149	RUBBER SHEET	1				3
18	64014-324	SHAFT	1				3
19	68013-336	SPRING	1				3
20	71082-111	FAN ASS'Y	1				-
21	51125-103	FAN	1				5
22	11102-151	HOLDER	1				5
23	31062-169	PRE-COAT LOCK BOLT	4				5
24	579L0600	FLANGE NUT	4				5
25	61024-209	SPACER	2				3
26	91014-188	BLADE	1				15
27	335M1020	FLANGE BOLT	2				15
28	335L1045	FLANGE BOLT	3				3
29	31039-116	STUD	1				3
30	71182-111	BRAKE SET (BBC)	1				-
33	91097-101	UNIVERSAL JOINT	1				3
34	812V2000	C-SNAP RING	1				1



8"AI-WHEEL (A): TN2160SXAK
 Brand: ASUKA Date: 1-Apr-2014 (B):
 P.cd: 619178 Revision: 01 (C):

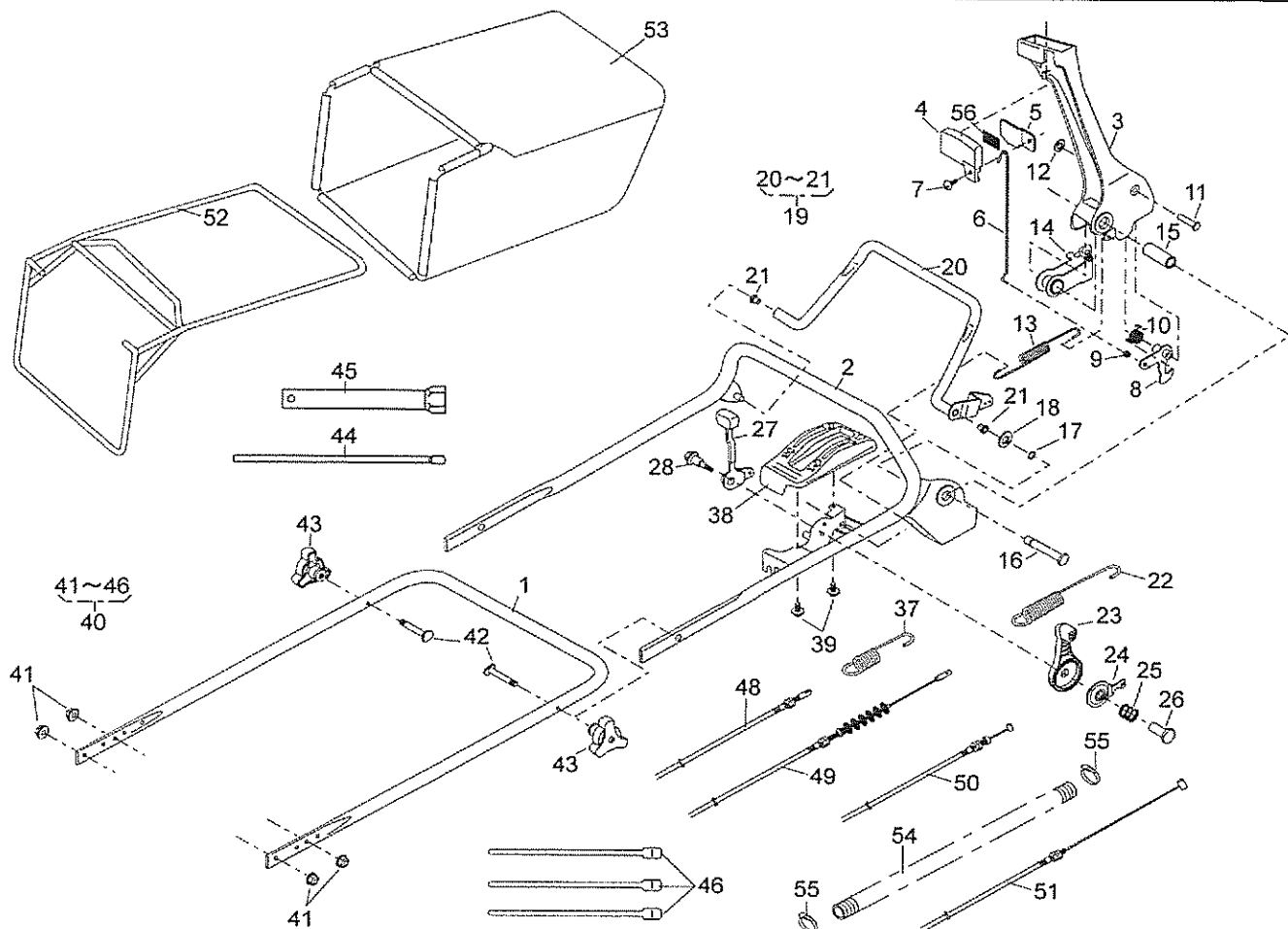
Ref.No	Parts.No	Parts.Name	Q'ty			Remarks	Recomm(%) Lot.100
			(A)	(B)	(C)		
1	71041-136	WHEEL ASS'Y	2				3
2	91086-113	TIRE	2				5
4	916B6002	BEARING (6002DDC3)	4				3
5	11086-119	STOPPER	2				3
6	61003-112	THRUST PLATE	2				10
7	31034-137	PIN	2				10
9	68036-146	WASHER (16x31.5x1.0)	2				5
10	71158-104	RATCHET ASS'Y	1				-
11	11102-235	HOLDER	1				10
12	31034-170	PIN	2				10
13	68013-266	SPRING	1				10
14	71158-103	RATCHET ASS'Y	1				-
15	11102-235	HOLDER	1				10
16	31034-170	PIN	2				10
17	68013-266	SPRING	1				10
19	31057-181	HEXAGON BOLT	2				3
20	68036-101	WASHER (9x25x2.3)	2				3
21	11006-151	STAY C.P.	1				3
22	11006-152	STAY C.P.	1				3
23	342L0612	FLANGE TAPPING BOLT	2				3
24	31057-255	HEXAGON BOLT (M8x25)	2				3
25	584L0800	U-FLANGE NUT	2				3
26	71122-112	ADJUSTER ASS'Y	1				-
27	11142-131	ADJUSTER	1				10
28	945L0349	BEARING (F-PC0349L)	1				10
30	71122-113	ADJUSTER ASS'Y	1				-
31	11142-132	ADJUSTER	1				10
32	945L0349	BEARING (F-PC0349L)	1				10
34	11150-105-09	ADJUST LEVER	2				5



8"AI-WHEEL (A): TN2160SXAK
 Brand: ASUKA Date: 1-Apr-2014 (B):
 P.cd: 619178 Revision: 01 (C):

Ref.No	Parts.No	Parts.Name	Q'ty			Remarks	Recomm(%) Lot.100
			(A)	(B)	(C)		
35	36061-121	KNOB	2				5
36	613L0800	PLAIN WASHER	2				5
37	569L0800	FLANGE NYLON NUT	2				5
38	71041-135	WHEEL ASS'Y	2				3
39	91086-113	TIRE	2				5
41	916B6002	BEARING (6002DDC3)	4				3
42	11083-332	COLLAR	2				3
43	51113-119	RING	2				3
44	31057-181	HEXAGON BOLT	2				3
45	68036-101	WASHER (9x25x2.3)	2				3
46	11006-153	STAY C.P.	1				5
47	11006-154	STAY C.P.	1				5
48	11113-409	STAY	2				3
49	335L0625	FLANGE BOLT	6				5
50	569L0600	FLANGE NYLON NUT	6				5
51	11142-129	ADJUSTER	1				5
52	11142-130	ADJUSTER	1				5
53	11150-109-09	ADJUST LEVER	2				5
54	36061-121	KNOB	2				5
55	68036-101	WASHER (9x25x2.3)	2				5
56	31058-176	HEXAGON NUT	2				5
57	68013-393	SPRING	4				3

HANDLE	Date : 01. Feb, 2010	Revision : 00	Page : 1/2
Brand : ASUKA	Model : TN2160SXAK	Product Code : 619178	



HANDLE

Brand: ASUKA
P.cd: 619178

Date: 1-Feb-2010
Revision: 00

(A): TN2160SXAK
(B):
(C):

Ref.No	Parts.No	Parts.Name	Q'ty			Remarks	Recomm(%) Lot.100
			(A)	(B)	(C)		
1	51027-266-103	HANDLE	1				3
2	51027-267-103	HANDLE	1				3
3	11095-172	LEVER	1				3
4	36110-102	BUTTON	1				5
5	11049-109	SLIDE PLATE	1				5
6	64014-336	SHAFT	1				5
7	376L0612	(+)TRUSS SCREW	1				5
8	71203-135	ARM C.P.	1				3
9	76007-183	BUSH	1				3
10	68013-371	SPRING	1				3
11	31056-127	GIB-HEADED PIN	1				3
12	576V0600	PUSH NUT	1				3
13	68013-392	SPRING	1				3
14	11109-111	LINK	1				3
15	61023-190	SLEEVE	1				3
16	64014-337	SHAFT	1				3
17	812V0800	C-SNAP RING	1				3
18	613L0800	PLAIN WASHER	1				3
19	71161-114-09	LEVER ASS'Y	1				5
21	76007-131	BUSH	2				5
22	68013-391	SPRING	1				3
23	91010-147	THROTTLE LEVER	1				3
24	61003-113	THRUST PLATE	1				3
25	68013-356	SPRING	1				3
26	31058-168	HEXAGON NUT	1				3
27	11095-117	LEVER	1				3
28	31062-109	PRE-COAT LOCK BOLT	1				3
37	68013-161	SPRING	1				5
38	71900-794	COVER ASS'Y	1				3

