

This catalog covers:
FC180V-□C50

This fig. covers:
TITLE

PARTS CATALOG

4-STROKE ENGINE

FC180V

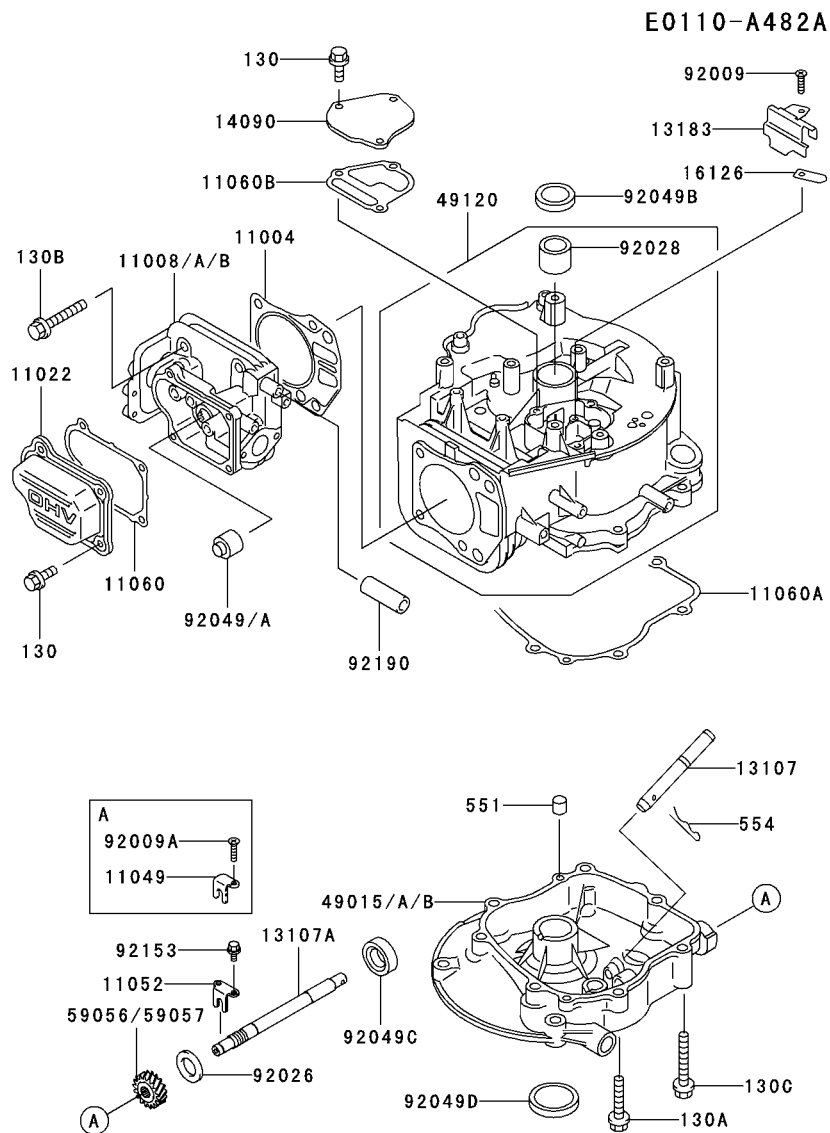
PRODUCT CODE	NOTE
FC180V-AC50	MOWER (LM5350K)
FC180V-BC50	
FC180V-CC50	
FC180V-DC50	

This catalog covers:

FC180V- □ C50

This fig. covers:

01 CYLINDER/CRANKCASE



Ref. No.	Part No.	Description	Quantity			
			A	B	C	D
11004	11004-2117	GASKET-HEAD	1	1	1	1
11008	11008-2097	HEAD-COMP-CYLINDER		1	1	1
11008A	11008-2097	HEAD-COMP-CYLINDER	1			
11008B	11008-2118	HEAD-COMP-CYLINDER	*			
11022	11022-2067	CASE-ROCKER	1	1	1	1
11049	11049-2019	BRACKET	1			
11052	11052-2077	BRACKET		1	1	1
11060	11060-2139	GASKET,ROCKER CASE	1	1	1	1
11060A	11060-2142	GASKET,CRANKCASE COVER	1	1	1	1
11060B	11060-2143	GASKET	1	1	1	1
13107	13107-2255	SHAFT	1	1	1	1
13107A	13107-2272	SHAFT	1	1	1	1
13183	13183-2504	PLATE	1	1	1	1
14090	14090-2094	COVER	1	1	1	1
16126	16126-2146	VALVE	1	1	1	1
49015	49015-2338	COVER-CRANKCASE	*			
49015A	49015-2392	COVER-CRANKCASE		1	1	1
49015B	49015-6245	COVER-CRANKCASE	1			
49120	49120-6103	CRANKCASE-COMP	1	1	1	1
59056	59056-2790	GEAR-HELICAL	1			
59057	59057-2079	GEAR-HELICAL		1	1	1
92009	92009-2166	SCREW,5X8	1	1	1	1
92009A	92009-2308	SCREW	1			
92026	92022-269	SPACER	1	1	1	1
92028	92028-2017	BUSHING	1	1	1	1
92049	92049-1062	SEAL-OIL		1	1	1
92049A	92049-1062	SEAL-OIL	1			
92049B	92049-2199	SEAL-OIL	1	1	1	1
92049C	92049-2204	SEAL-OIL	1	1	1	1
92049D	92049-2210	SEAL-OIL	1	1	1	1
92153	92153-2059	BOLT		2	2	2
92190	92190-2112	TUBE,12X16X46	1	1	1	1
130	130AA0612	BOLT-FLANGED,6X12	7	7	7	7
130A	130BA0835	BOLT-FLANGED,8X35	4	4	4	4
130B	130BA0845	BOLT-FLANGED,8X45	4	4	4	4
130C	130BA0850	BOLT-FLANGED,8X50	3	3	3	3
551	551A0612	PIN-DOWEL,6X12	2	2	2	2
554	554A0600	PIN-SNAP,1.2X21.2	1	1	1	1

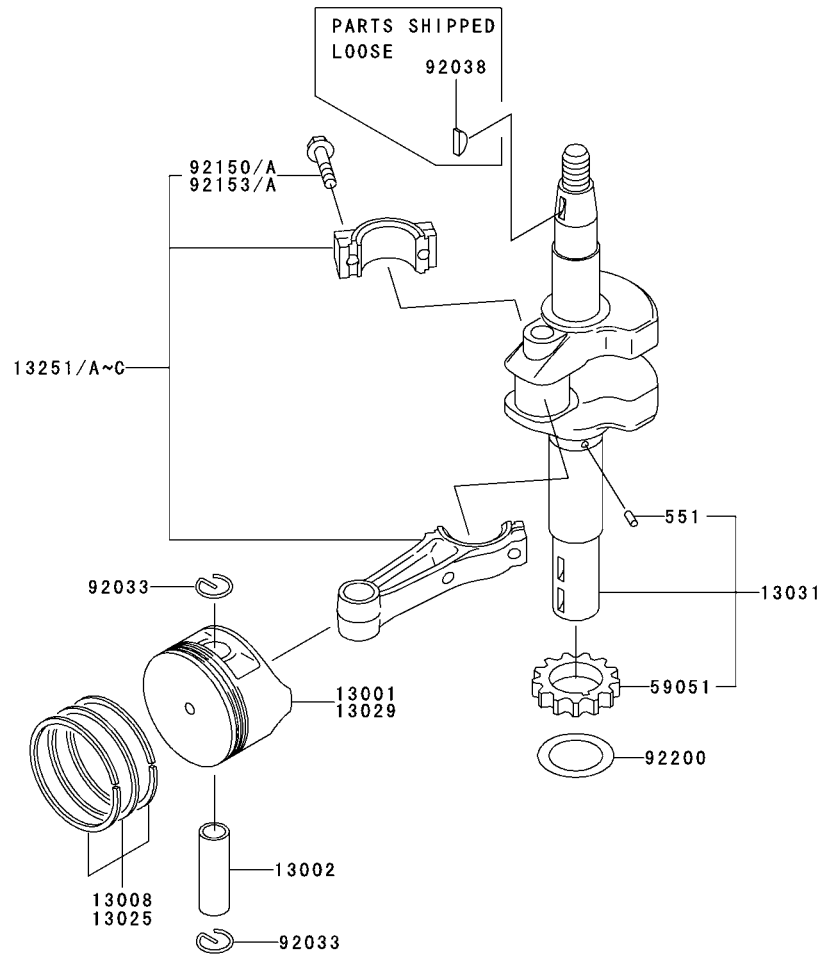
This catalog covers:

FC180V- □ C50

This fig. covers:

02 PISTON/CRANKSHAFT

E0120-A270B



Ref. No.	Part No.	Description	Quantity			
			A	B	C	D
13001	13001-2134	PISTON-ENGINE	1	1	1	1
13002	13002-1004	PIN-PISTON	1	1	1	1
13008	13008-6029	RING-SET-PISTON	1	1	1	1
13025	13025-2099	RING-SET-PISTON L,0.5.	AR	AR	AR	AR
13029	13029-2121	PISTON-ENGINE L,0.50	AR	AR	AR	AR
13031	13031-2072	CRANKSHAFT-COMP	1	1	1	1
13251	13251-6052	ROD-ASSY-CONNECTING	1			
13251A	13251-6052	ROD-ASSY-CONNECTING		*		
13251B	13251-6065	ROD-ASSY-CONNECTING			1	1
13251C	13251-6065	ROD-ASSY-CONNECTING		1		
59051	59051-2330	GEAR-SPUR	1	1	1	1
92033	92033-2053	RING-SNAP	2	2	2	2
92038	92038-2099	KEY		1	1	1
92150	92150-2122	BOLT,CONNECTING ROD	2			
92150A	92150-2122	BOLT,CONNECTING ROD		*		
92153	92153-2097	BOLT,6X30			2	2
92153A	92153-2097	BOLT,6X30		2		
92200	92200-2069	WASHER	1	1	1	1
551	551A0306	PIN-DOWEL,3X6	1	1	1	1

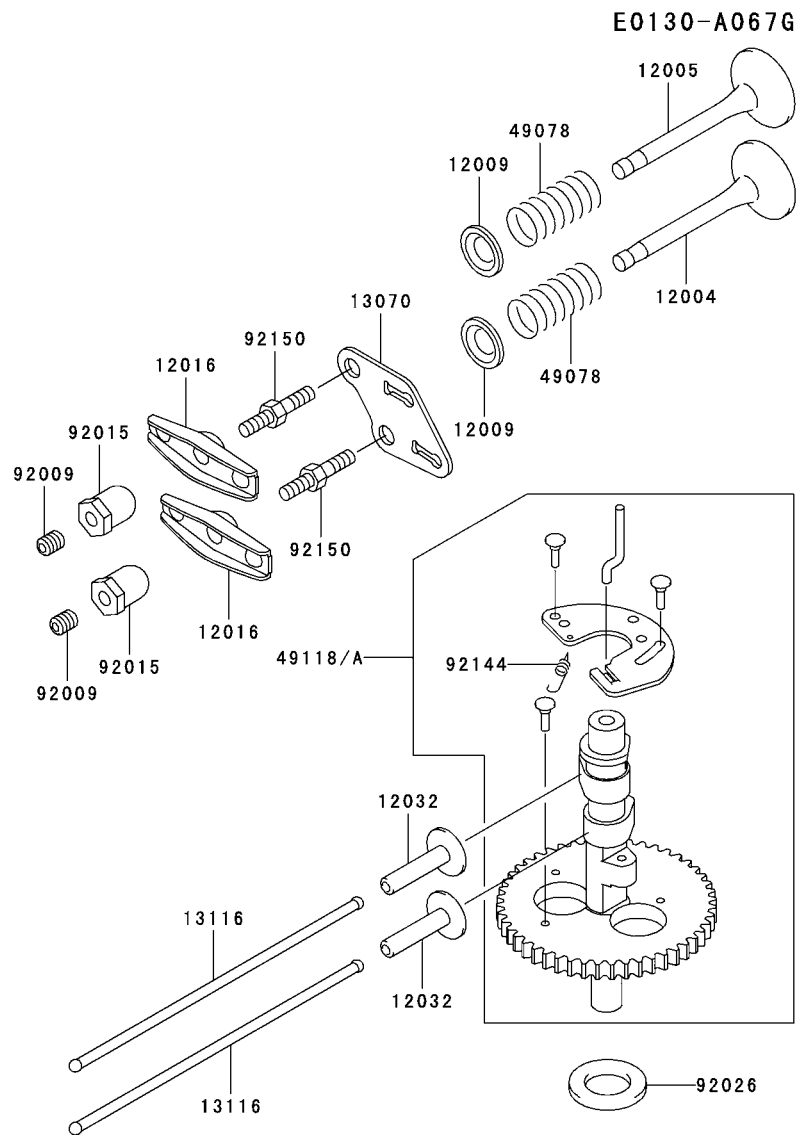
This catalog covers:

FC180V- □ C50

03

This fig. covers:

VALVE/CAMSHAFT



Ref. No.	Part No.	Description	Quantity			
			A	B	C	D
12004	12004-2101	VALVE-INTAKE	1	1	1	1
12005	12005-2089	VALVE-EXHAUST	1	1	1	1
12009	12009-2062	RETAINER-VALVE SPRING	2	2	2	2
12016	12016-2057	ARM-ROCKER	2	2	2	2
12032	12032-2065	TAPPET	2	2	2	2
13070	13070-2091	GUIDE	1	1	1	1
13116	13116-2065	ROD-PUSH	2	2	2	2
49078	49078-2064	SPRING-ENGINE VALVE	2	2	2	2
49118	49118-2126	CAMSHAFT-COMP	1			
49118A	49118-2143	CAMSHAFT-COMP		1	1	1
92009	92009-2341	SCREW	2	2	2	2
92015	92015-2253	NUT	2	2	2	2
92026	92022-269	SPACER	1	1	1	1
92144	92144-2315	SPRING	1	1	1	1
92150	92150-2248	BOLT	2	2	2	2

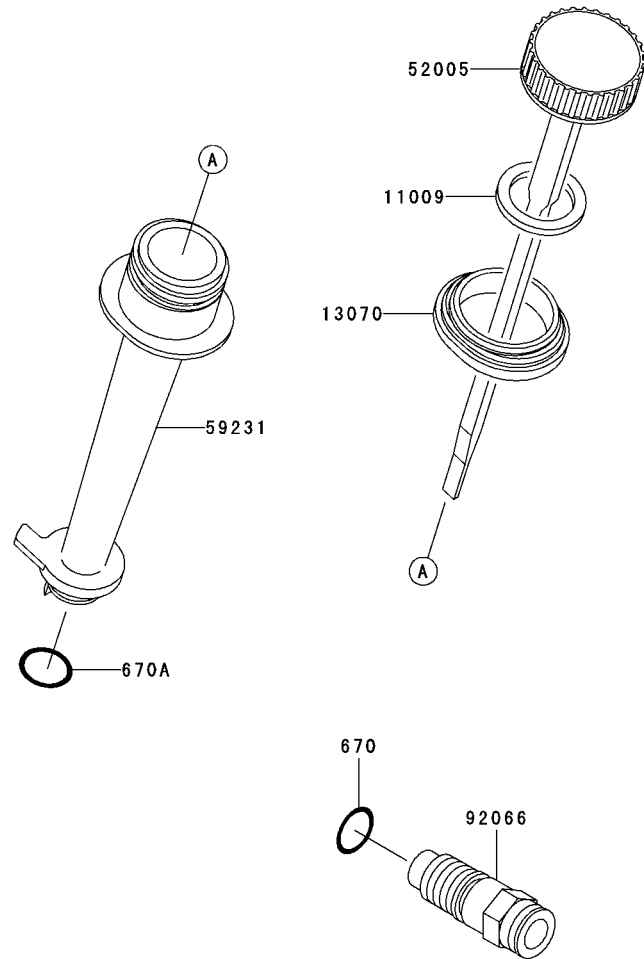
This catalog covers:

FC180V- □ C50

This fig. covers:

04 LUBRICATION-EQUIPMENT

E0140-A009A



Ref. No.	Part No.	Description	Quantity			
			A	B	C	D
11009	11009-2346	GASKET,OIL GAUGE	1	1	1	1
13070	13070-2092	GUIDE	1	1	1	1
52005	52005-2124	GAUGE	1	1	1	1
59231	59231-2077	FILLER	1	1	1	1
92066	92066-2180	PLUG	1	1	1	1
670	670D2015	O RING,15MM	1	1	1	1
670A	670D2016	O RING,16MM	1	1	1	1

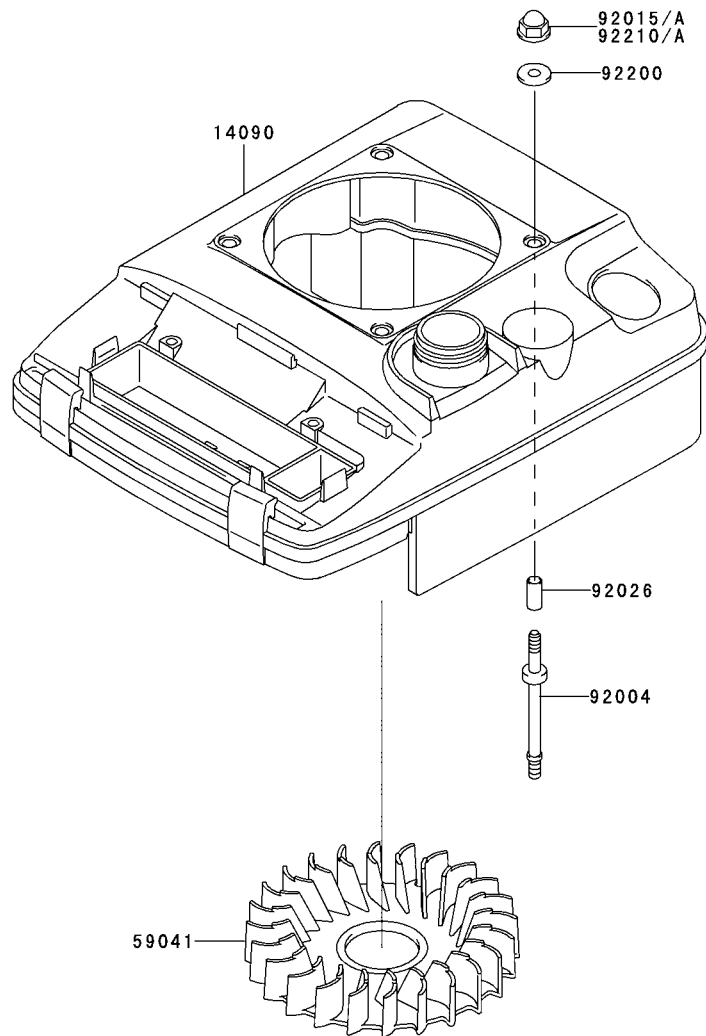
This catalog covers:

FC180V- □ C50

This fig. covers:

05 COOLING-EQUIPMENT

E0150-A122J



Ref. No.	Part No.	Description	Quantity			
			A	B	C	D
14090	14090-2097	COVER	1	1	1	1
59041	59041-2083	FAN	1	1	1	1
92004	92004-2135	STUD	4	4	4	4
92015	92015-1170	NUT	4			
92015A	92015-1170	NUT		*		
92026	92026-2273	SPACER,6.2X7.8X17	4	4	4	4
92200	92200-2037	WASHER,6.5X18X2.0	4	4	4	4
92210	92210-0003	NUT			4	4
92210A	92210-0003	NUT		4		

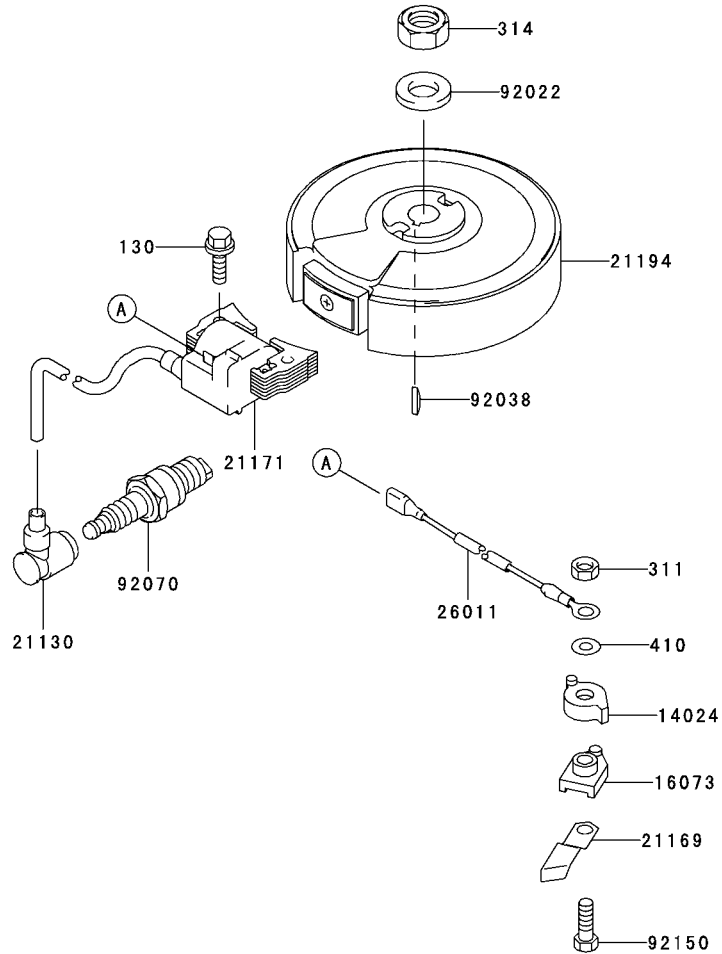
This catalog covers:

FC180V- □ C50

This fig. covers:

06 ELECTRIC-EQUIPMENT

E0160-A670A



Ref. No.	Part No.	Description	Quantity			
			A	B	C	D
14024	14024-2183	COVER	1	1	1	1
16073	16073-2165	INSULATOR	1	1	1	1
21130	21130-2060	CAP-SPARK PLUG	1	1	1	1
21169	21169-2066	TERMINAL	1	1	1	1
21171	21171-2200	COIL-ASSY-IGNITION	1	1	1	1
21194	21194-2292	FLYWHEEL-COMP	1	1	1	1
26011	26011-2355	WIRE-LEAD,L=300MM	1	1	1	1
92022	92022-2102	WASHER	1	1	1	1
92038	92038-2077	KEY	1	1	1	1
92070	92070-2077	PLUG-SPARK,BPR5ES(NGK),SOLID	1	1	1	1
92150	92150-2300	BOLT,4X20	1	1	1	1
130	130BA0625	BOLT-FLANGED,6X25	2	2	2	2
311	311B0400	NUT-HEX,4MM	1	1	1	1
314	314G1400	NUT-HEX-FINE,14MM	1	1	1	1
410	410B0400	W-PLAIN-S,4MM	1	1	1	1

This catalog covers:

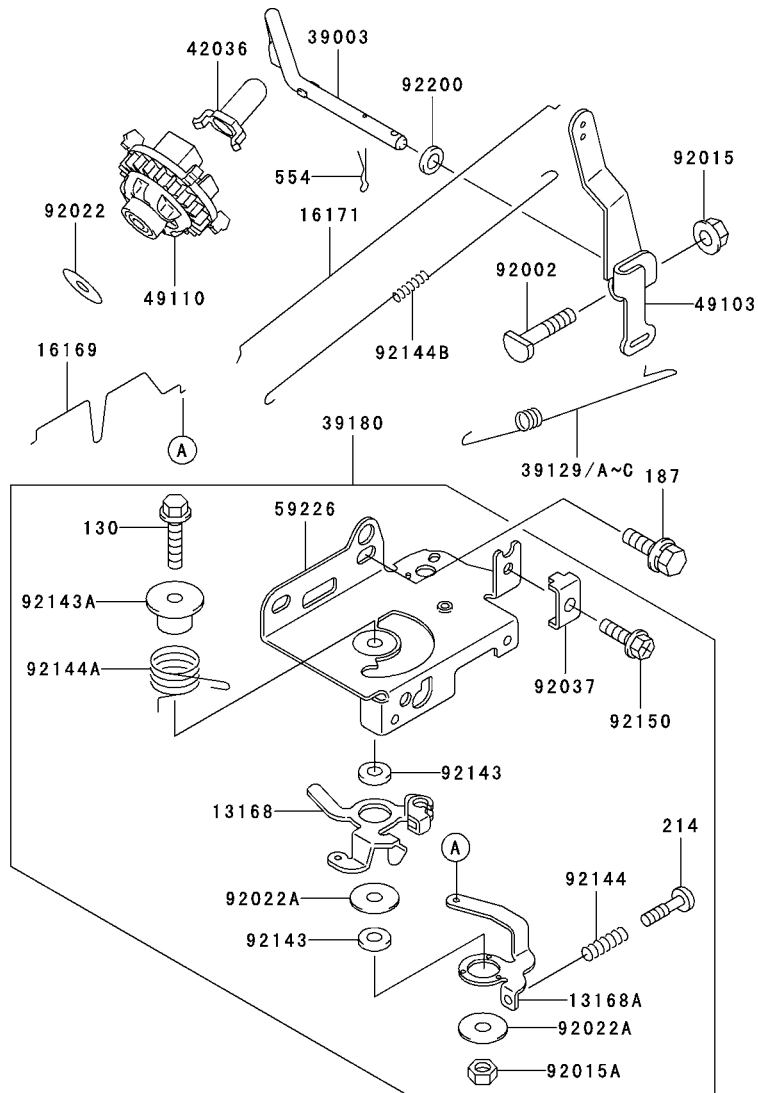
FC180V- □ C50

07

This fig. covers:

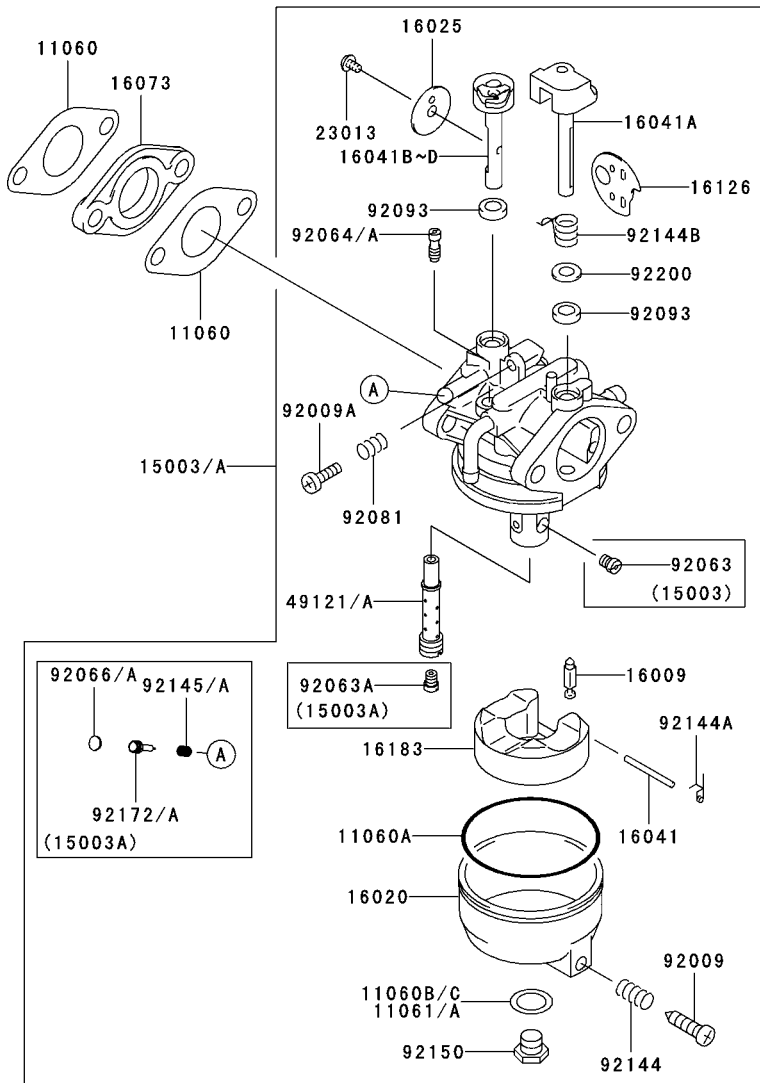
CONTROL-EQUIPMENT

E0170-A012H



Ref. No.	Part No.	Description	Quantity			
			A	B	C	D
13168	13168-2352	LEVER	1	1	1	1
13168A	13168-2388	LEVER	1	1	1	1
16169	16169-2111	LINK-CHOKE	1	1	1	1
16171	16171-2068	LINK	1	1	1	1
39003	39003-2077	ARM-PIVOT	1	1	1	1
39129	39129-2054	SPRING-GOVERNOR	1	1		
39129A	39129-2054	SPRING-GOVERNOR			*	
39129B	39129-2120	SPRING-GOVERNOR				1
39129C	39129-2120	SPRING-GOVERNOR			1	
39180	39180-2895	PANEL-ASSY-CONTROL	1	1	1	1
42036	42036-2051	SLEEVE	1	1	1	1
49103	49103-2127	ARM-GOVERNOR	1	1	1	1
49110	49110-2080	GOVERNOR-ASSY	1	1	1	1
59226	59226-2291	PANEL-CONTROL	1	1	1	1
92002	92002-2269	BOLT,6X28	1	1	1	1
92015	92015-1193	NUT	1	1	1	1
92015A	92015-2051	NUT	1	1	1	1
92022	92022-2019	WASHER	1	1	1	1
92022A	92022-2372	WASHER,6X19X1.2	2	2	2	2
92037	92037-2209	CLAMP	1	1	1	1
92143	92143-2135	COLLAR,6X13X2.3	2	2	2	2
92143A	92143-2148	COLLAR	1	1	1	1
92144	92144-2266	SPRING	1	1	1	1
92144A	92144-2316	SPRING	1	1	1	1
92144B	92144-2329	SPRING	1	1	1	1
92150	92150-2182	BOLT,5X18	1	1	1	1
92200	92200-2029	WASHER,6.5X11.5X2.0	1	1	1	1
130	130AA0630	BOLT-FLANGED,6X30	1	1	1	1
187	187AA0614	BOLT-UPSET-WSP,6X14	2	2	2	2
214	214AA0420	SCREW-PAN+,-,4X20	1	1	1	1
554	554A0600	PIN-SNAP,1.2X21.2	1	1	1	1

E0180-A731A



Ref. No.	Part No.	Description	Quantity			
			A	B	C	D
11060	11060-2144	GASKET,CARBURETOR	2	2	2	2
11060A	11060-2190	GASKET	1	1	1	1
11060B	11060-2191	GASKET	1	1		
11060C	11060-2191	GASKET			*	
11061	11061-2181	GASKET				1
11061A	11061-2181	GASKET				1
15003	15003-2618	CARBURETOR-ASSY	1	1		
15003A	15003-2782	CARBURETOR-ASSY			1	1
16009	16009-2136	NEEDLE-JET	1	1	1	1
16020	16020-2129	CHAMBER-FLOAT	1	1	1	1
16025	16025-2166	VALVE-THROTTLE	1	1	1	1
16041	16041-2224	SHAFT-CARBURETOR,FLOAT	1	1	1	1
16041A	16041-2231	SHAFT-CARBURETOR,CHOKE	1	1	1	1
16041B	16041-2244	SHAFT-CARBURETOR	*			
16041C	16041-2258	SHAFT-CARBURETOR		1	1	1
16041D	16041-2258	SHAFT-CARBURETOR	1			
16073	16073-2164	INSULATOR	1	1	1	1
16126	16126-2191	VALVE,CHOKE	1	1	1	1
16183	16183-2002	FLOAT-ASSY	1	1	1	1
23013	23013-2058	SCREW-ASSY	1	1	1	1
49121	49121-2190	NOZZLE-MAIN	1	1		
49121A	49121-2240	NOZZLE-MAIN			1	1
92009	92009-2348	SCREW	1	1	1	1
92009A	92009-2349	SCREW	1	1	1	1
92063	92063-2338	JET-MAIN,#84	1	1		
92063A	92063-2424	JET-MAIN,#68			1	1
92064	92064-2122	JET-PILOT,#55	1	1		
92064A	92064-2134	JET-PILOT,#46			1	1
92066	92066-2244	PLUG			1	1
92066A	92066-2244	PLUG			1	
92081	92081-2234	SPRING	1	1	1	1
92093	92093-2100	SEAL	2	2	2	2
92144	92144-2333	SPRING	1	1	1	1
92144A	92144-2335	SPRING	1	1	1	1
92144B	92144-2364	SPRING	1	1	1	1
92145	92145-2122	SPRING				1
92145A	92145-2122	SPRING			1	
92150	92150-2263	BOLT	1	1	1	1
92172	92172-2101	SCREW				1
92172A	92172-2101	SCREW			1	
92200	92200-2061	WASHER,9.8X5.5X1.0	1	1	1	1

This catalog covers:

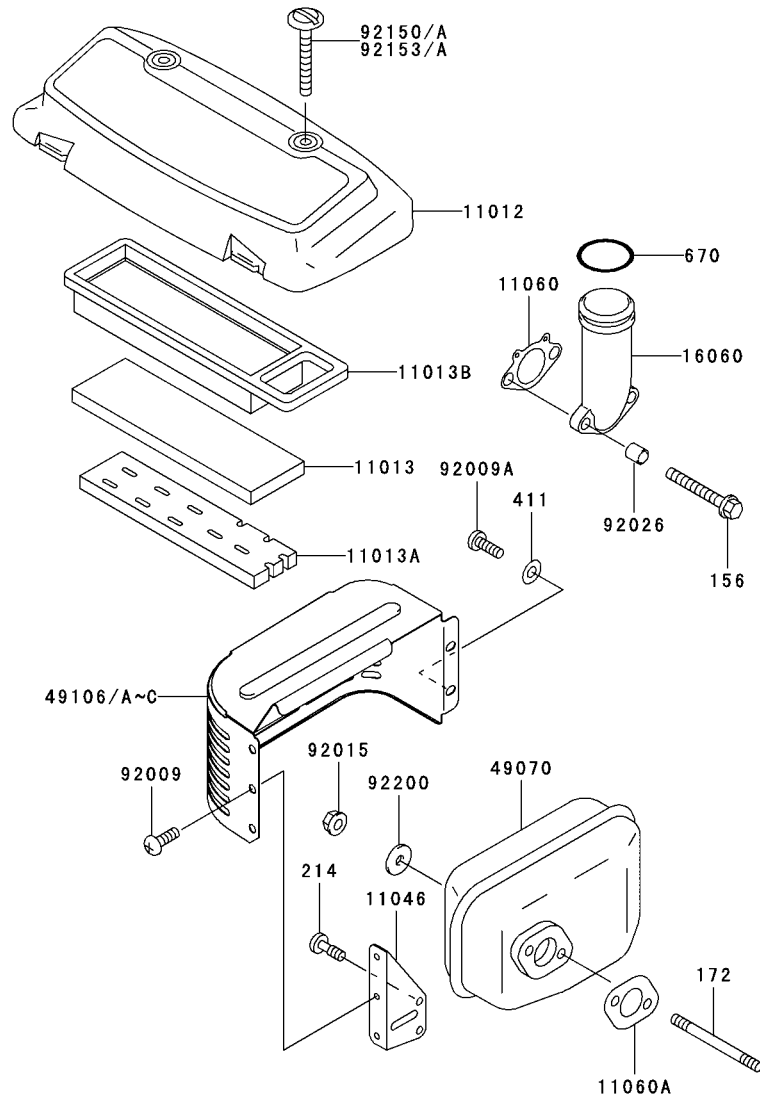
FC180V- □ C50

09

This fig. covers:

AIR-FILTER/MUFFLER

E0190-A885C



Ref. No.	Part No.	Description	Quantity			
			A	B	C	D
11012	11012-2327	CAP,AIR FILTER	1	1	1	1
11013	11013-2152	ELEMENT-AIR FILTER	1	1	1	1
11013A	11013-2180	ELEMENT-AIR FILTER	1	1	1	1
11013B	11013-2181	ELEMENT-AIR FILTER	1	1	1	1
11046	11046-2053	BRACKET	1	1	1	1
11060	11060-2141	GASKET	1	1	1	1
11060A	11060-2185	GASKET,MUFFLER	1	1	1	1
16060	16060-2171	PIPE-INTAKE	1	1	1	1
49070	49070-2461	MUFFLER-COMP	1	1	1	1
49106	49106-2430	COVER-MUFFLER	1	1		
49106A	49106-2430	COVER-MUFFLER				*
49106B	49106-2670	COVER-MUFFLER				1
49106C	49106-2670	COVER-MUFFLER				1
92009	92009-2166	SCREW,5X8	3	3	3	3
92009A	92009-2308	SCREW	2	2	2	2
92015	92015-1193	NUT	2	2	2	2
92026	92026-2272	SPACER,6.2X7.8X8	2	2	2	2
92150	92150-2152	BOLT	2			
92150A	92150-2152	BOLT		*		
92153	92153-2083	BOLT			2	2
92153A	92153-2083	BOLT		2		
92200	92200-2032	WASHER,7X21X2.3	2	2	2	2
156	156R0680	BOLT-WP,6X80	2	2	2	2
172	172BA0680	BOLT-STUD,6X80	2	2	2	2
214	214AA0510	SCREW-PAN+-,5X10	2	2	2	2
411	411B0500	WASHER-PLAIN,5MM	2	2	2	2
670	670B3032	O RING,32MM	1	1	1	1

This catalog covers:

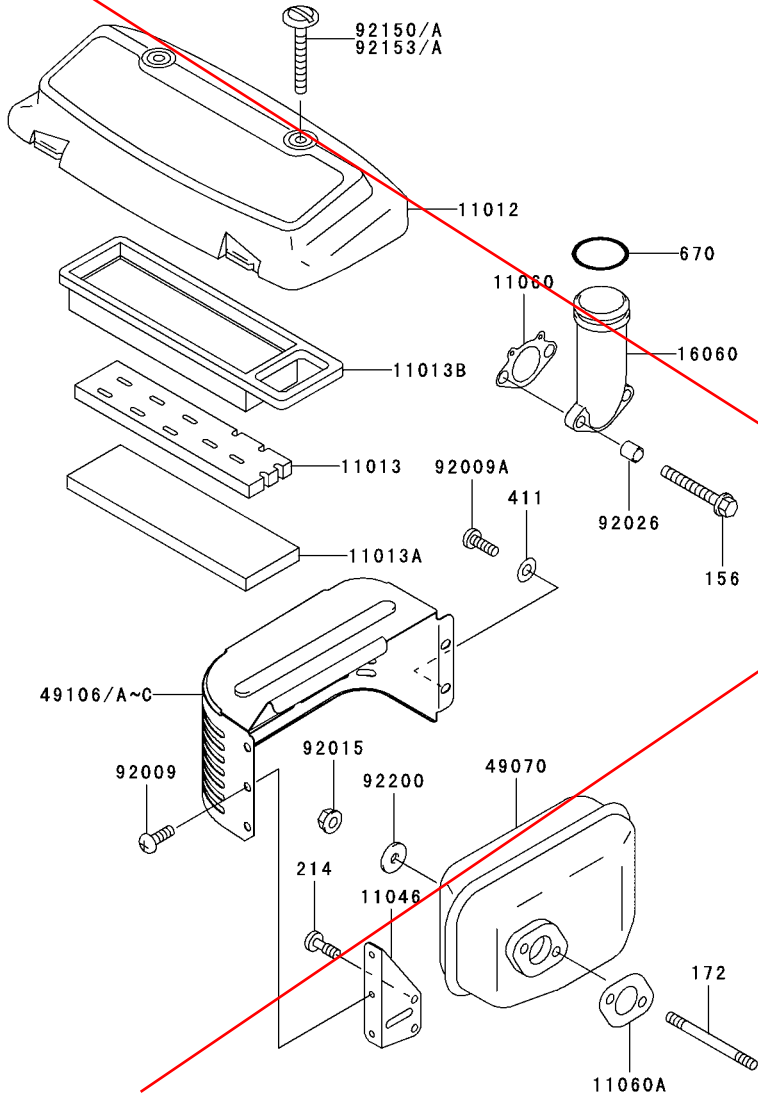
FC180V- □ C50

09

This fig. covers:

AIR-FILTER/MUFFLER

E0190-A885C



Ref. No.	Part No.	Description	Quantity			
			A	B	C	D
11012	11012-2327	CAP,AIR FILTER	1	1	1	1
11013	11013-2152	ELEMENT-AIR FILTER	1	1	1	1
11013A	11013-2180	ELEMENT-AIR FILTER	1	1	1	1
11013B	11013-2181	ELEMENT-AIR FILTER	1	1	1	1
11046	11046-2053	BRACKET	1	1	1	1
11060	11060-2141	GASKET	1	1	1	1
11060A	11060-2185	GASKET,MUFFLER	1	1	1	1
16060	16060-2171	PIPE-INTAKE	1	1	1	1
49070	49070-2461	MUFFLER-COMP	1	1	1	1
49106	49106-2430	COVER-MUFFLER	1	1		
49106A	49106-2430	COVER-MUFFLER				*
49106B	49106-2670	COVER-MUFFLER				1
49106C	49106-2670	COVER-MUFFLER				1
92009	92009-2166	SCREW,5X8	3	3	3	3
92009A	92009-2308	SCREW	2	2	2	2
92015	92015-1193	NUT	2	2	2	2
92026	92026-2272	SPACER,6.2X7.8X8	2	2	2	2
92150	92150-2152	BOLT	2			
92150A	92150-2152	BOLT			*	
92153	92153-2083	BOLT				2
92153A	92153-2083	BOLT				2
92200	92200-2032	WASHER,7X21X2.3	2	2	2	2
156	156R0680	BOLT-WP,6X80	2	2	2	2
172	172BA0680	BOLT-STUD,6X80	2	2	2	2
214	214AA0510	SCREW-PAN+,-,5X10	2	2	2	2
411	411B0500	WASHER-PLAIN,5MM	2	2	2	2
670	670B3032	O RING,32MM	1	1	1	1

差し替え変更

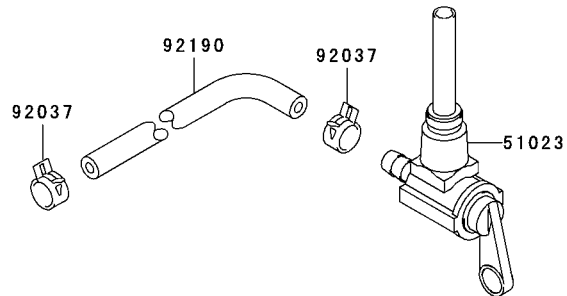
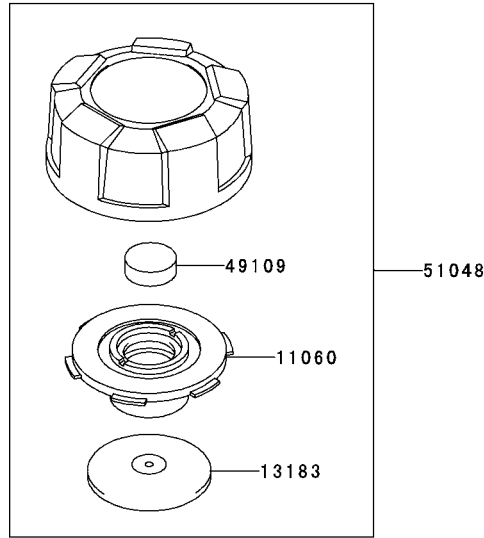
This catalog covers:

FC180V- □ C50

This fig. covers:

10 FUEL-TANK/FUEL-VALVE

E0200-A010A



Ref. No.	Part No.	Description	Quantity			
			A	B	C	D
11060	11060-2145	GASKET	1	1	1	1
13183	13183-2505	PLATE	1	1	1	1
49109	49109-2054	ELEMENT-BREATHER, TANK	1	1	1	1
51023	51023-2167	TAP-ASSY	1	1	1	1
51048	51048-2072	CAP-ASSY-TANK	1	1	1	1
92037	92037-2113	CLAMP	2	2	2	2
92190	92190-2113	TUBE, 5X10X223	1	1	1	1

This catalog covers:

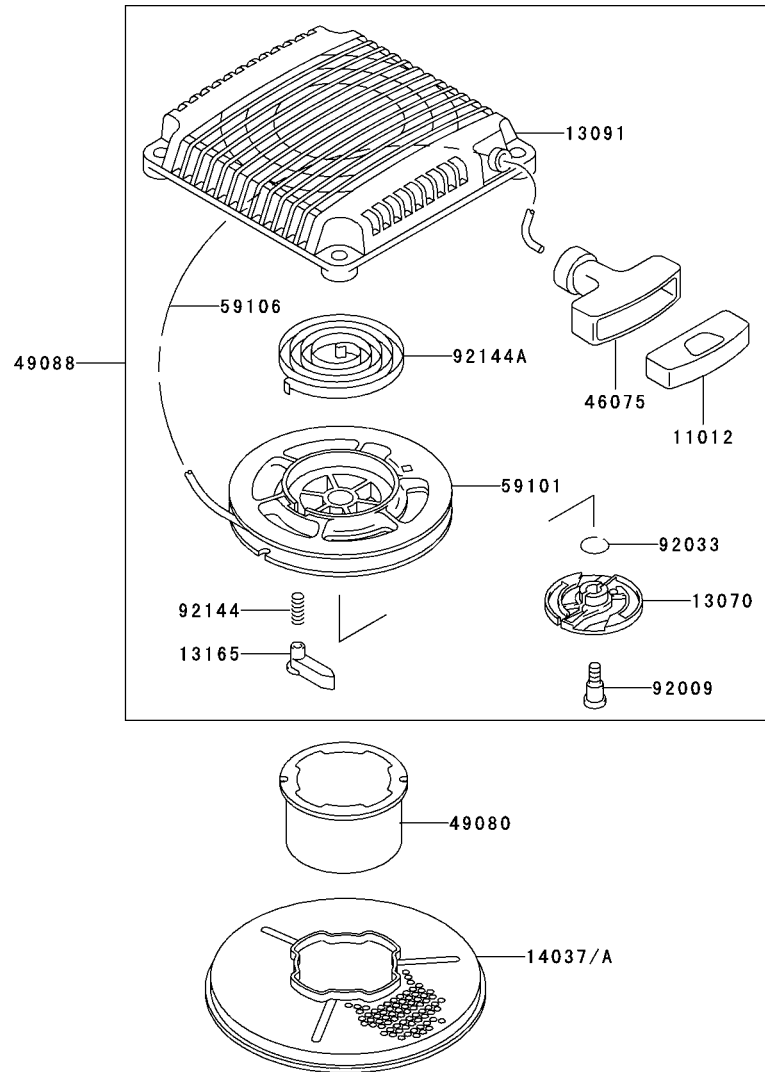
FC180V- □ C50

11

This fig. covers:

STARTER

E0210-A012E



Ref. No.	Part No.	Description	Quantity			
			A	B	C	D
11012	11012-2255	CAP,GRIP	1	1	1	1
13070	13070-2088	GUIDE,PAWL	1	1	1	1
13091	13091-2129	HOLDER,RECOIL STARTER	1	1	1	1
13165	13165-2082	PAWL,RECOIL STARTER	2	2	2	2
14037	14037-2127	SCREEN	1	1	1	
14037A	14037-2153-9H	SCREEN				1
46075	46075-2082	GRIP,RECOIL STARTER	1	1	1	1
49080	49080-2166	PULLEY-STARTING	1	1	1	1
49088	49088-2423	STARTER-RECOIL	1	1	1	1
59101	59101-2095	REEL,RECOIL STARTER	1	1	1	1
59106	59106-2126	ROPE,3.8X1650	1	1	1	1
92009	92009-2347	SCREW	1	1	1	1
92033	92033-2160	RING-SNAP	1	1	1	1
92144	92144-2177	SPRING,RETURN	2	2	2	2
92144A	92144-2272	SPRING	1	1	1	1

This catalog covers:

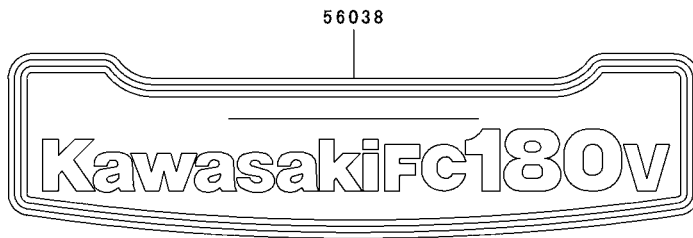
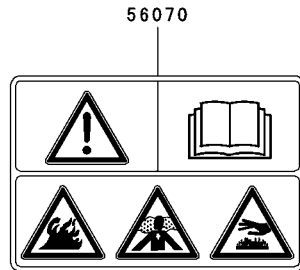
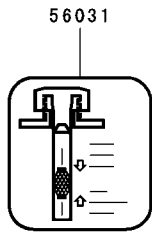
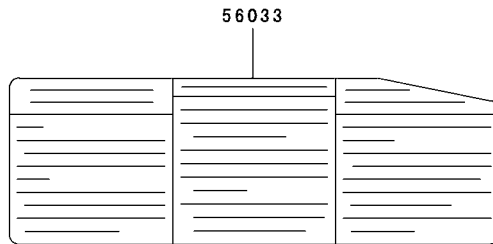
FC180V- □ C50

12

This fig. covers:

LABEL

F0290-A364B



Ref. No.	Part No.	Description	Quantity			
			A	B	C	D
56031	56031-2376	LABEL-MANUAL	1	1	1	1
56033	56033-2062	LABEL-MANUAL	1	1	1	1
56038	56038-2990	LABEL-BRAND	1	1	1	1
56070	56070-2021	LABEL-WARNING	1	1	1	1

This catalog covers:

FC180V- C50

This fig. covers:

PART NAME INDEX

AIR-FILTER/MUFFLER.....	09
CARBURETOR.....	08
CONTROL-EQUIPMENT.....	07
COOLING-EQUIPMENT.....	05
CYLINDER/CRANKCASE	01
ELECTRIC-EQUIPMENT.....	06
FUEL-TANK/FUEL-VALVE	10
LABEL.....	12
LUBRICATION-EQUIPMENT.....	04
PISTON/CRANKSHAFT	02
STARTER.....	11
VALVE/CAMSHAFT	03

This catalog covers:

FC180V- □ C50

This fig. covers:

NUMERICAL PARTS INDEX

Part No.	Fig No.	Part No.	Fig No.	Part No.	Fig No.	Part No.	Fig No.	Part No.	Fig No.
11004-2117	01	14037-2127	11	49118-2143	03	92049-2210	01		
11008-2097	01	14037-2153-9H	11	49120-6103	01	92063-2338	08		
11008-2097	01	14090-2094	01	49121-2190	08	92063-2424	08		
11008-2118	01	14090-2097	05	49121-2240	08	92064-2122	08		
11009-2346	04	15003-2618	08	51023-2167	10	92064-2134	08		
11012-2255	11	15003-2782	08	51048-2072	10	92066-2180	04		
11012-2327	09	156R0680	09	52005-2124	04	92066-2244	08		
11013-2152	09	16009-2136	08	551A0306	02	92066-2244	08		
11013-2180	09	16020-2129	08	551A0612	01	92070-2077	06		
11013-2181	09	16025-2166	08	554A0600	01	92081-2234	08		
11022-2067	01	16041-2224	08	554A0600	07	92093-2100	08		
11046-2053	09	16041-2231	08	56031-2376	12	92143-2135	07		
11049-2019	01	16041-2244	08	56033-2062	12	92143-2148	07		
11052-2077	01	16041-2258	08	56038-2990	12	92144-2177	11		
11060-2139	01	16041-2258	08	56070-2021	12	92144-2266	07		
11060-2141	09	16060-2171	09	59041-2083	05	92144-2272	11		
11060-2142	01	16073-2164	08	59051-2330	02	92144-2315	03		
11060-2143	01	16073-2165	06	59056-2790	01	92144-2316	07		
11060-2144	08	16126-2146	01	59057-2079	01	92144-2329	07		
11060-2145	10	16126-2191	08	59101-2095	11	92144-2333	08		
11060-2185	09	16169-2111	07	59106-2126	11	92144-2335	08		
11060-2190	08	16171-2068	07	59226-2291	07	92144-2364	08		
11060-2191	08	16183-2002	08	59231-2077	04	92145-2122	08		
11060-2191	08	172BA0680	09	670B3032	09	92145-2122	08		
11061-2181	08	187AA0614	07	670D2015	04	92150-2122	02		
11061-2181	08	21130-2060	06	670D2016	04	92150-2122	02		
12004-2101	03	21169-2066	06	92002-2269	07	92150-2152	09		
12005-2089	03	21171-2200	06	92004-2135	05	92150-2152	09		
12009-2062	03	21194-2292	06	92009-2166	01	92150-2182	07		
12016-2057	03	214AA0420	07	92009-2166	09	92150-2248	03		
12032-2065	03	214AA0510	09	92009-2308	01	92150-2263	08		
13001-2134	02	23013-2058	08	92009-2308	09	92150-2300	06		
13002-1004	02	26011-2355	06	92009-2341	03	92153-2059	01		
13008-6029	02	311B0400	06	92009-2347	11	92153-2083	09		
13025-2099	02	314G1400	06	92009-2348	08	92153-2083	09		
13029-2121	02	39003-2077	07	92009-2349	08	92153-2097	02		
13031-2072	02	39129-2054	07	92015-1170	05	92153-2097	02		
13070-2088	11	39129-2054	07	92015-1170	05	92172-2101	08		
13070-2091	03	39129-2120	07	92015-1193	07	92172-2101	08		
13070-2092	04	39129-2120	07	92015-1193	09	92190-2112	01		
13091-2129	11	39180-2895	07	92015-2051	07	92190-2113	10		
130AA0612	01	410B0400	06	92015-2253	03	92200-2029	07		
130AA0630	07	411B0500	09	92022-2019	07	92200-2032	09		
130BA0625	06	42036-2051	07	92022-2102	06	92200-2037	05		
130BA0835	01	46075-2082	11	92022-2372	07	92200-2061	08		
130BA0845	01	49015-2338	01	92022-269	01	92200-2069	02		
130BA0850	01	49015-2392	01	92022-269	03	92210-0003	05		
13107-2255	01	49015-6245	01	92026-2272	09	92210-0003	05		
13107-2272	01	49070-2461	09	92026-2273	05				
13116-2065	03	49078-2064	03	92028-2017	01				
13165-2082	11	49080-2166	11	92033-2053	02				
13168-2352	07	49088-2423	11	92033-2160	11				
13168-2388	07	49103-2127	07	92037-2113	10				
13183-2504	01	49106-2430	09	92037-2209	07				
13183-2505	10	49106-2430	09	92038-2077	06				
13251-6052	02	49106-2670	09	92038-2099	02				
13251-6052	02	49106-2670	09	92049-1062	01				
13251-6065	02	49109-2054	10	92049-1062	01				
13251-6065	02	49110-2080	07	92049-2199	01				
14024-2183	06	49118-2126	03	92049-2204	01				