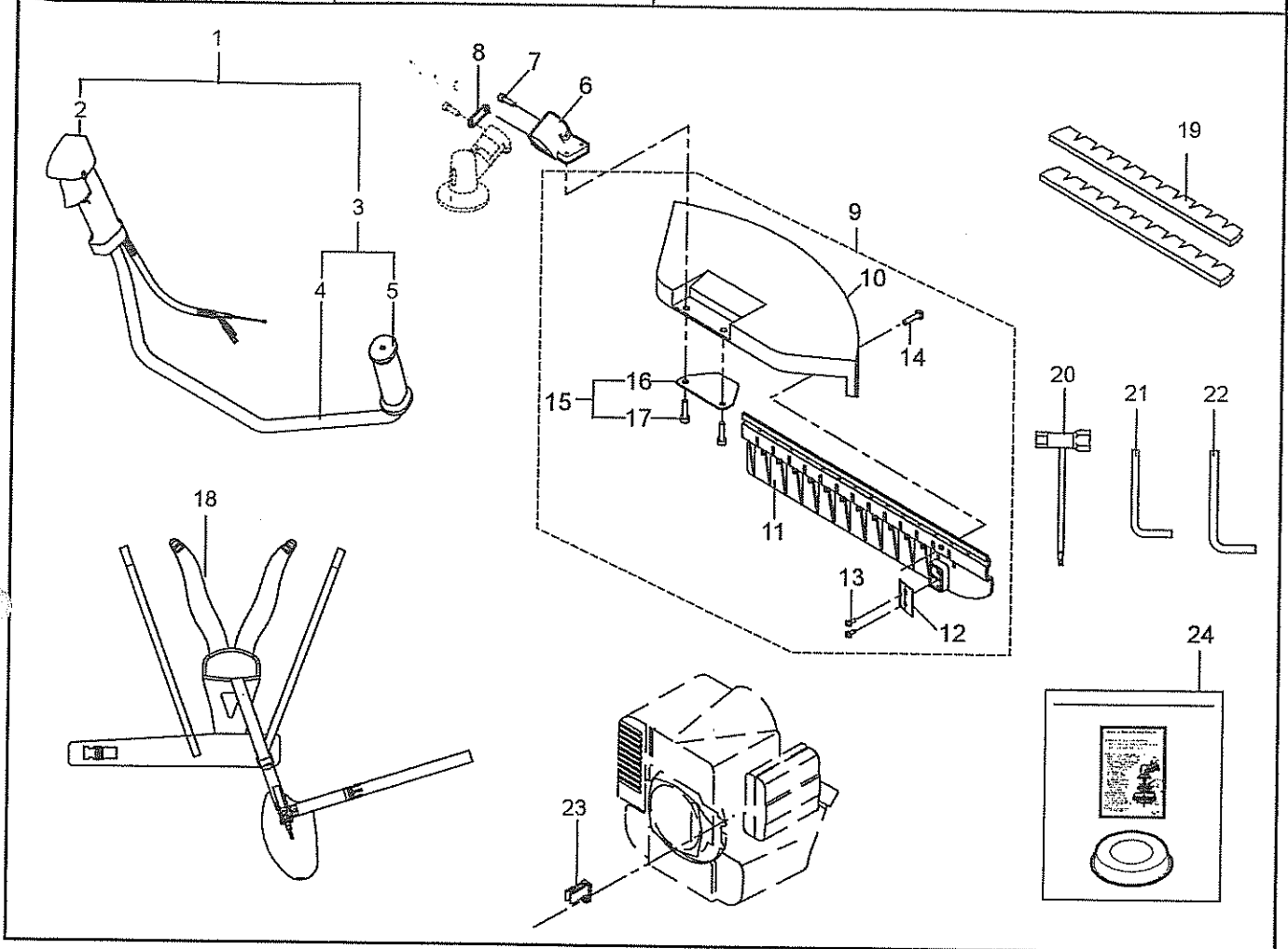


### PARTS LIST

REF. No.	PARTS No.			PARTS NAME	Q'TY	PRICE( )	RECOMM.(%)		REMARKS
							INCLUDING	Lot.100	
1	71008	372	104	GEAR CASE ASS'Y	1			1	
2	71130	226		MAIN PIPE C.P.	1			1	
3	64011	252		MAIN SHAFT	1			3	
4	36041	115		PIPE SUPPORT	1			1	
5	11138	104		BAND C.P.	1			1	
6	36071	138		BAND	1			1	
7	412N	0615		SOCKET SCREW	1			1	M6×15
8	36005	179		VIBRO-ISOLATING RUBBER	4			1	
9	31058	171		HEXAGON NUT	1			1	
10	11117	114		LOCK HANDLE	1			1	
11	68036	152		WASHER	1			1	φ6.5×φ18×t1.6
12	71011	162	104	HANDLE JOINT ASS'Y	1			1	
13	51009	147	104	HANDLE JOINT(A)	1			1	
14	51010	150	104	HANDLE JOINT(B)	1			1	
15	412N	0625		SOCKET SCREW	1			1	M6×25
16	68013	370		SPRING	1			1	
17	36042	115		JOINT SUPPORT	1			3	
18	51002	125		WIRE HOLDER	2			1	
19	36006	129		ABSORBER	2			1	
20	71010	265		CLUTCH CASE ASS'Y	1			1	
21	416N	0625		SOCKET SCREW (W/SW,PW)	4			1	M6×25



### PARTS LIST

REF. No.	PARTS No.		PARTS NAME	Q'TY			PRICE( )	RECOMM.(%)		REMARKS
				INCLUDING				Lot.100		
1	71014	445	HANDLE ASS'Y	1				1		
2	71056	291	THROTTLE LEVER ASS'Y		1			1		
3	71014	446	HANDLE ASS'Y		1			1		
4	51024	190	DOUBLE HANDLE			1		1		
5	36007	156	HANDLE GRIP			1		1		
6	11113	372	104 STAY	1				1		
7	412N	0520	SOCKET SCREW	1				1		M5×20
8	91049	121	104 CONNECTOR	1				1		
9	71303	115	SAFETY GUARD SET	1				3		
10	36046	161	SAFETY GUARD		1			3		
11	36068	205	GUARD		1			3		
12	91014	185	BLADE		1			3		
13	474L	0410	(+) TAPPING SCREW		2			3		4×10
14	474L	0508	(+) TAPPING SCREW		1			3		5×8
15	71137	266	BOLT AND NUT SET		1			3		
16	11050	177	FIXING PLATE			1		3		
17	413N	0520	SOCKET SCREW (W/SH)			2		3		M5×20
18	36063	204	SHOULDER BAND	1				1		
19	36044	107	BLADE COVER	1				1		
20	66006	117	BOX SPANNER	1				1		17×19+Screw driver
21	66007	103	L WRENCH	1				1		4mm
22	66007	104	L WRENCH	1				1		5mm
23	68027	116	CRIP	1				1		
24	71001	124	GRASS COVER SET	1				3		



