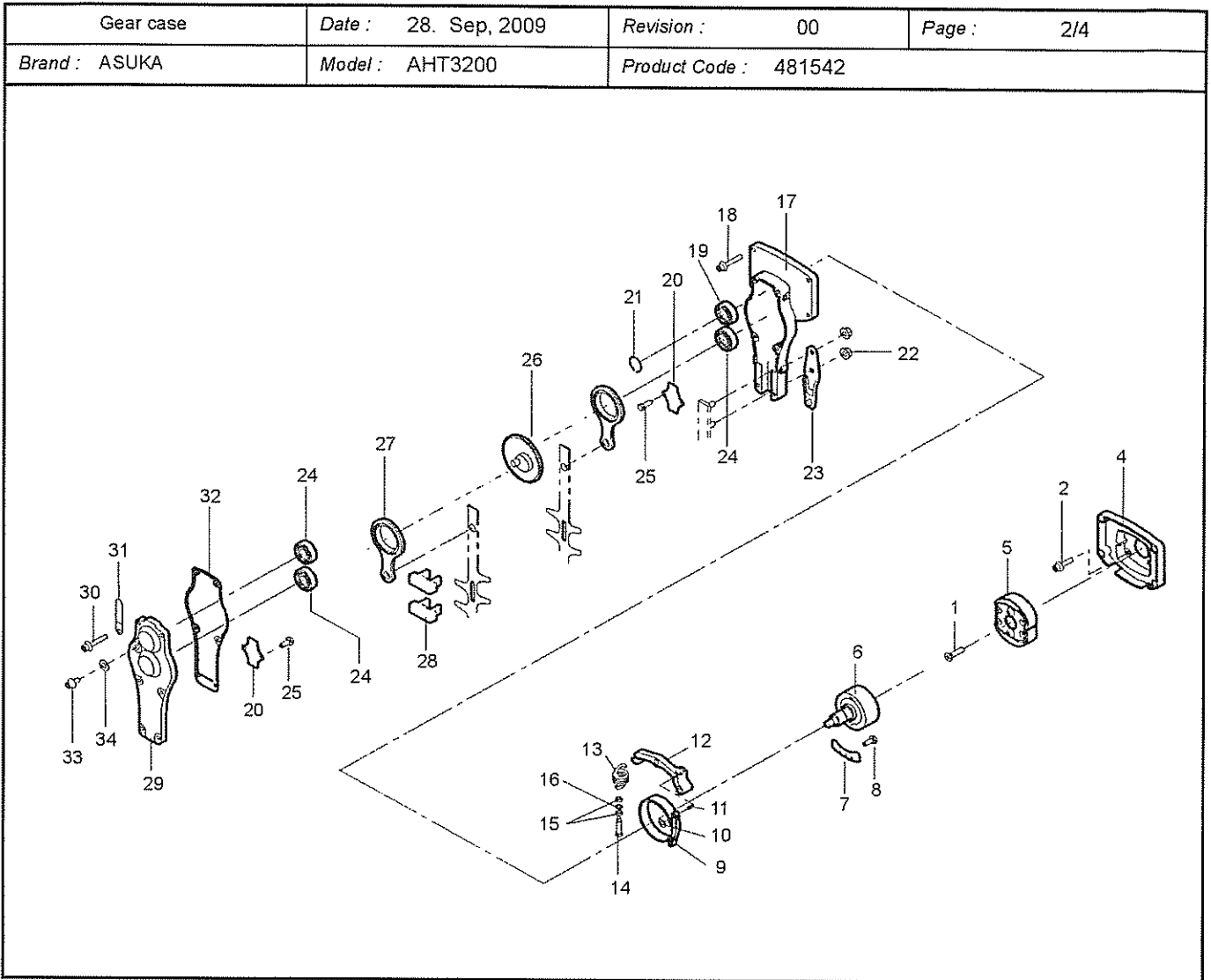


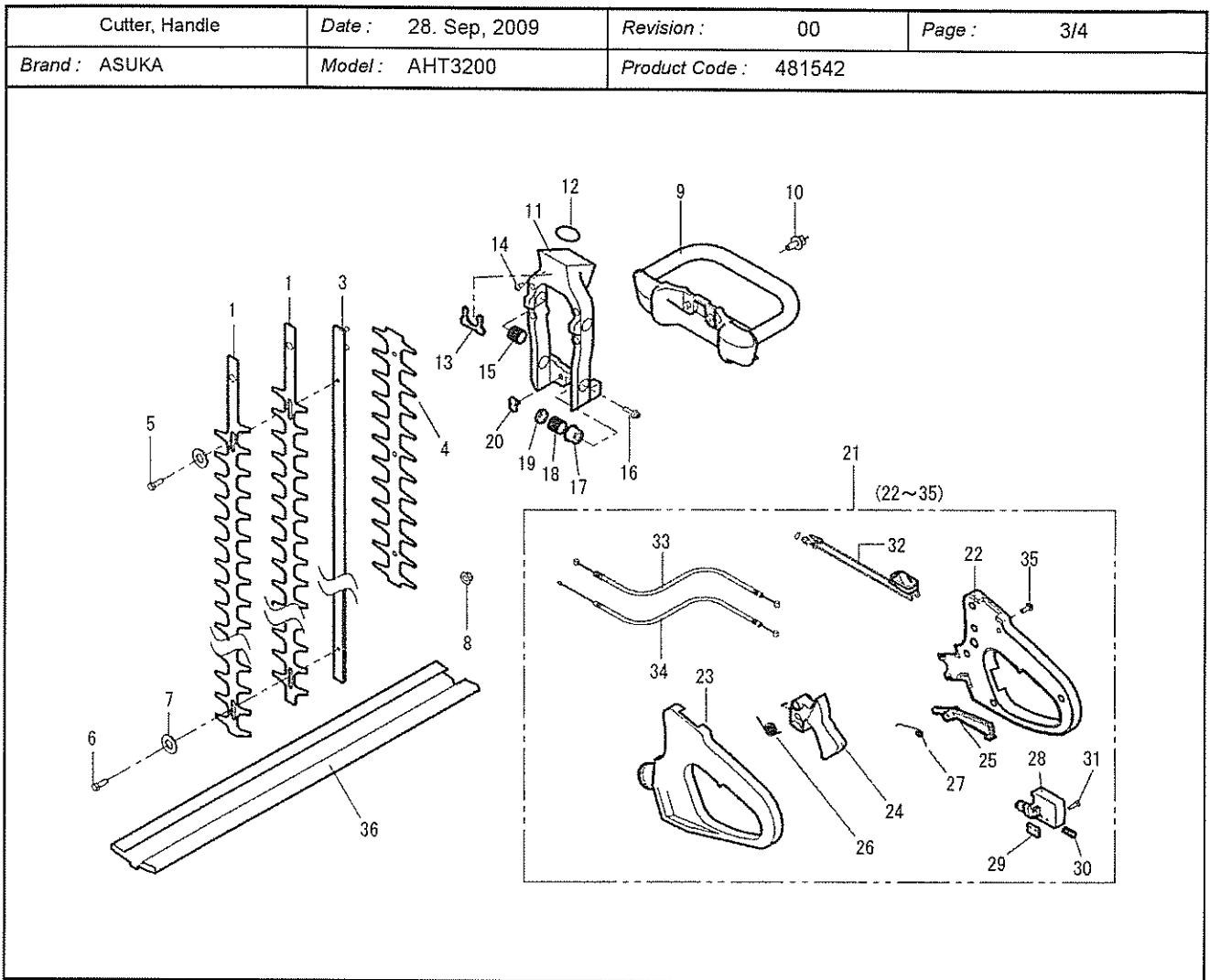
PARTS LIST

REF. No.	PARTS No.	PARTS NAME	Q'TY			PRICE()	RECOMM(%) Lot.100	REMARKS
			INCLUDING					
1	375L 0620	(+)FLAT SCREW	1				M6 × 20	
2	423U 0515	SOCKET SCREW FLANGE	4				M5 × 15	
3								
4	51070 129	ENGINE BASE	1					
5	71019 118	CLUTCH SHOE ASS'Y	1					
6	11014 216	CLUTCH DRUM C.P.	1					
7	11050 169	FIXING PLATE	1					
8	423U 0408	SOCKET SCREW FLANGE	1				M4 × 8	
9	68053 103	BRAKE BAND	1					
10	612L 0400	PLAIN WASHER	1					
11	711V 0416	SPRING PIN	1				4 × 16	
12	11104 158	ARM	1					
13	68013 324	SPRING	1					
14	31032 106	ADJUST SCREW	1					
15	31058 160	HEXAGON NUT	2					
16	611L 0600	PLAIN WASHER	1					
17	51068 106	CAM CASE	1					
18	423U 0518	SOCKET SCREW FLANGE	4				M5 × 18	
19	954B 6003	BEARING	1				6003 ZZ C3	
20	11050 168	FIXING PLATE	2					
21	812V 1700	C-SNAPPING FOR SHAFT	1				Φ17	
22	571L 0600	HEXAGON NUT FLANGE	2					
23	11102 208	HOLDER	1					
24	954B 0629	BEARING	3				629 ZZ C3	
25	31062 152	LOCK COAT (+) SCREW	4				M4 × 8	



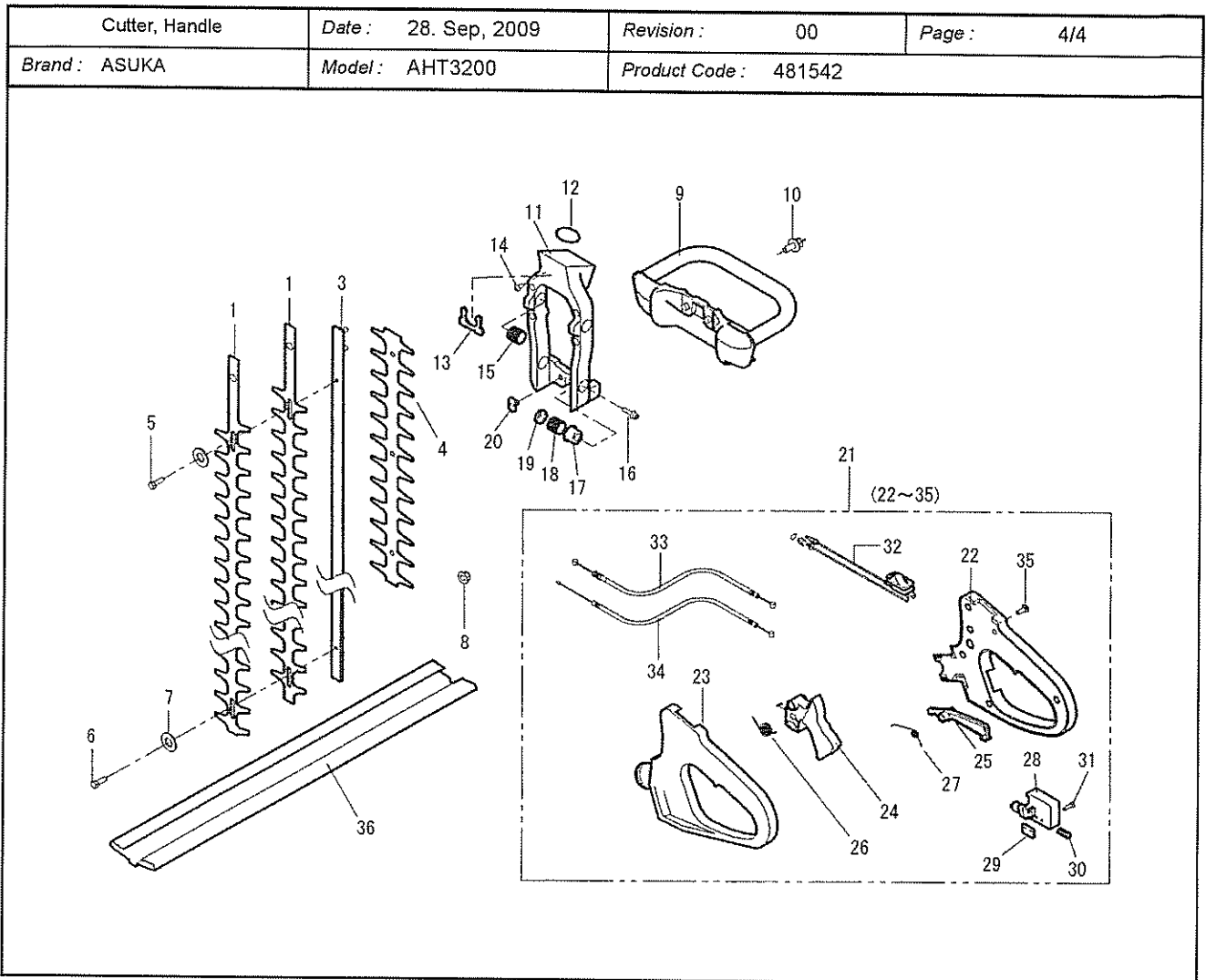
PARTS LIST

REF. No.	PARTS No.	PARTS NAME	Q'TY			PRICE()	RECOMM(%) Lot.100	REMARKS
			INCLUDING					
26	78004 256	GEAR	1					
27	11046 104	CAM ROD C.P.	2					
28	61010 111	FELT PACKING	2					
29	51069 104	CAM CASE COVER	1					
30	423U 0515	SOCKET SCREW FLANGE	6				M5 x 15	
31	68027 109	CLIP	2					
32	61019 214	PACKING	1					
33	427U 0608	SOCKET SCREW BUTTON	1				M6 x 8	
34	611L 0600	PLAIN WASHER	1				M6	
35								
36								
37								
38								
39								
40								
41								
42								
43								
44								
45								
46								
47								
48								
49								
50								



PARTS LIST

REF. No.	PARTS No.	PARTS NAME	Q'TY			PRICE ()	RECOMM(%) Lot 100	REMARKS
				INCLUDING				
1	91054 116	CUTTER(B)	2					
2								
3	11051 128	CUTTER GUIDE	1					
4	51090 122	PROTECTOR	1					
5	31029 105	STEP BOLT (L)	1					
6	31029 110	STEP BOLT (S)	4					
7	68002 101	CUTTER WASHER	5					
8	584L 0600	U-HEXAGON NUT FLANGE	5				M6	
9	51027 238	HANDLE	1					
10	31057 235	BOLT	2				M5 x 20 (SW, PW)	
11	51022 171	BRACKET	1					
12	214B 5000	O-RING	1				S50	
13	11086 179	STOPPER	1					
14	477L 0408	(+) TRUSS TAPPING SCREW	2					
15	68013 326	SPRING	2					
16	423U 0515	SOCKET SCREW FLANGE	4					
17	11102 210	HOLDER	4					
18	68013 327	SPRING	2					
19	11102 209	HOLDER	4					
20	31038 102	FIXING NUT	2					
21	71014 368	HANDLE ASS'Y	1					
22	51106 127	HANDLE R	1					
23	51106 128	HANDLE R	1					
24	91010 190	THROTTLE LEVER	1					
25	36081 113	LOCK LEVER	1					



PARTS LIST

REF. No.	PARTS No.	PARTS NAME	Q'TY		PRICE()	RECOMM(%) Lot 100	REMARKS
			INCLUDING				
26	68013 321	SPRING	1				
27	68013 322	SPRING	1				
28	36061 142	KNOB	1				
29	11050 167	FIXING PLATE	1				
30	68013 323	SPRING	1				
31	465L 0310	(+) TAPPING SCREW	2				
32	71148 148	STOP SWITCH ASS'Y	1				
33	91057 108	BRAKE WIRE	1				
34	91001 310	THROTTLE WIRE	1				
35	471L 0420	(+) TAPPING SCREW	4				
36	36065 471	COVER	1				
37							
38							
39							
40							
41							
42							
43							
44							
45							
46							
47							
48							
49							
50							