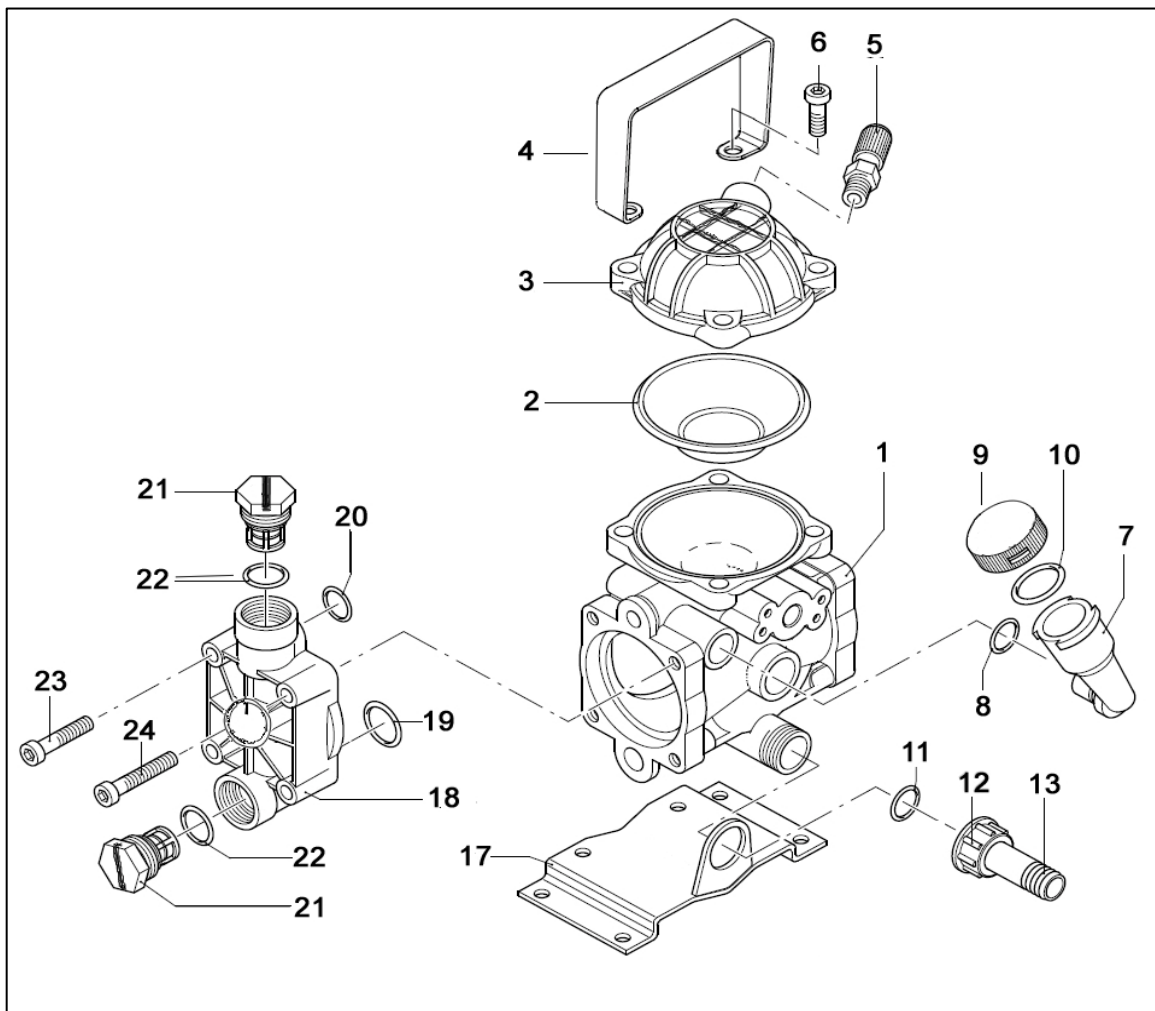
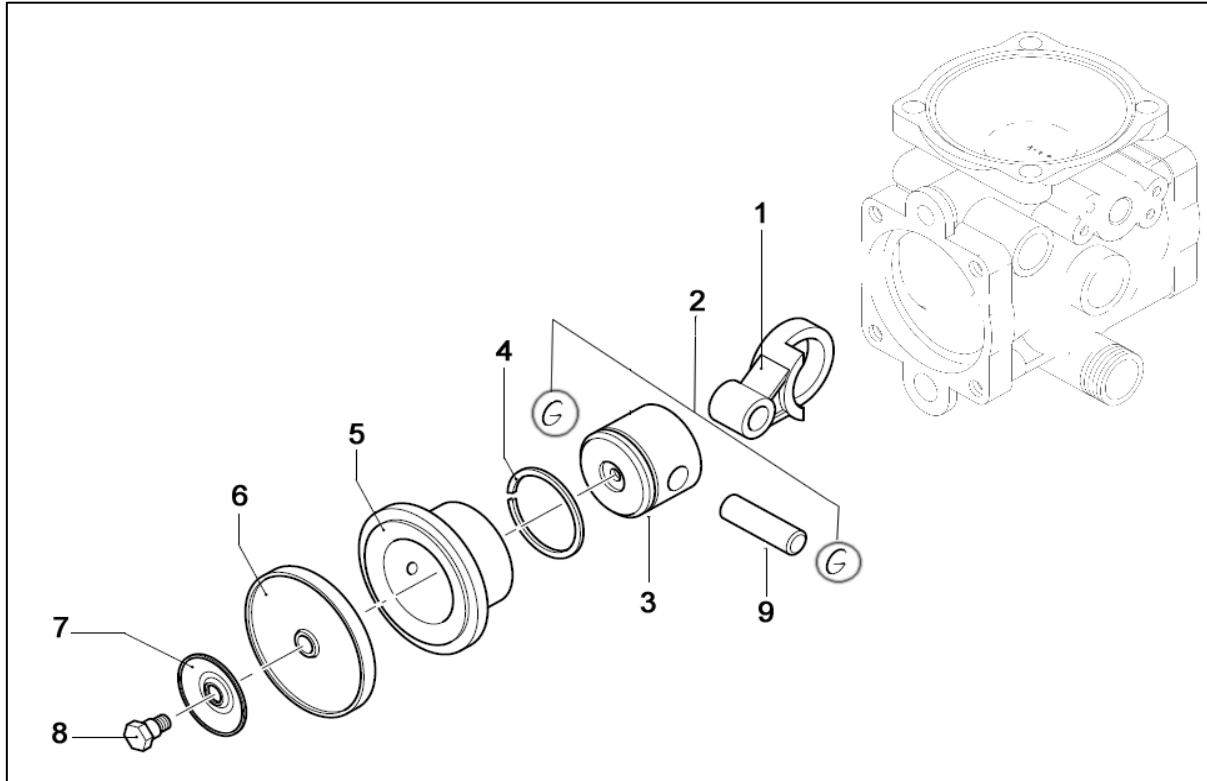


1 - PUMP BODY



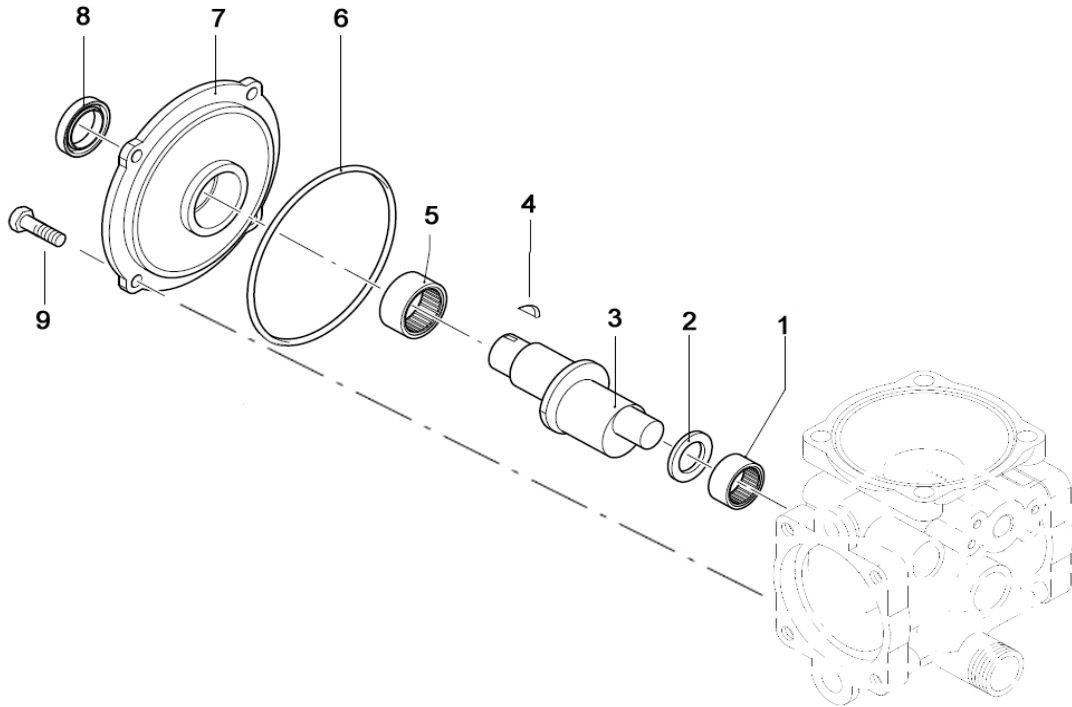
N.	CODE	DESCRIPTION	SUTTABLE	QTY
1	DP201010	PUMP BODY	800010	1
2	DP201011	GOMMA SEMI AIR CHAMBER	800190	1
3	DP201012	UPPER AIR CHAMBER	800230	1
4	DP201013	HANDLE	800390	1
5	DP201014	VALVE	800650	1
6		BOLT M8x25		4
7	DP201016	OIL TANK	801960	1
8	DP201017	OR Ø14X1,78	740290	4
9	DP201018	OIL TANK CAP	550057	1
10	DP201019	OR Ø 26,65X2,62	550040	1
11	DP201020	OR Ø 18,72X2,62	390180	1
12	DP201021	RING NUT	550450	1
13	DP201022	HOSE Ø 20	800340	1
17	DP201026	PULLEY BASE	800311	1
18	DP201027	HEAD	801940	2
19	DP201028	OR Ø 17,13X2,62	480440	5
20	DP201029	OR Ø 13,10X2,62	800210	2
21	DP201030	VALVE ASSEMBLY	809060	4
22	DP201031	OR Ø 15,54X2,62	880830	4
23		BOLT M8x45		7
24		BOLT 8X50		1

2 - DIAPHRAGM



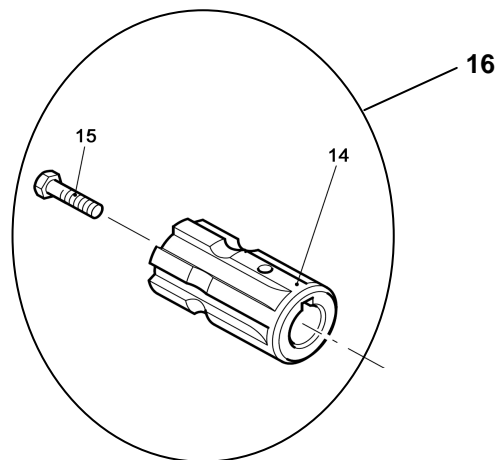
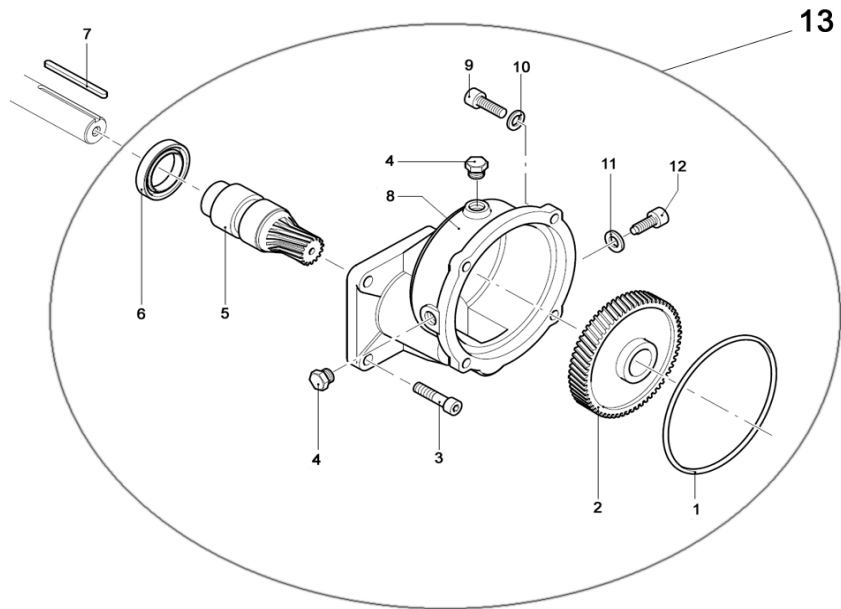
N.	CODE	DESCRIPTION	SUTTABLE	QTY
1	DP201035	CONNECTING ROD	800140	2
2	DP201034	PISTON CLIP		2
3	DP201033	PISTON	802070	2
4	DP201039	PISTON RING	802080	2
5	DP201040	SLEEVE	802060	2
6	DP201041	DIAPHRAGM	800080	2
7	DP201038	PLATE	800350	2
8	DP201037	DIAPHRAGM PIN	800090	2
9	DP201036	PISTON PIN	800130	2

3 - SHAFT



N.	CODE	DESCRIPTION	SUTTABLE	QTY
1	DP201042	ROLLER BUSHING	480370	1
2	DP201043	SPACER	800160	1
3	DP201044	SHAFT	800174	1
4	DP201050	KEY 4x5	800590	1
5	DP201045	ROLLER BUSHING	800180	1
6	DP201046	OR Ø 97X1,6	800380	1
7	DP201047	FLANGE	800020	1
8	DP201048	SEAL	800200	1
9		BOLT M6X12		4

4 - GEAR



N.	CODE	DESCRIPTION	SUTTABLE	QTY
1	DP201046	OR Ø 97x1,6	800380	1
2	DP201049	GEAR	801670	1
3		BOLT 5/16" 24UNFx7/8"		4
4	DP201059	PLUG 1/8"G CONICAL	620301	2
5	DP201060	PINION Øi15,8 mm(5/8")	801660	1
6	DP201061	SEAL	480820	1
7	DP201062	KEY	881090	1
8	DP201063	GEAR BOX	800821	1
9		BOLT M6x30		4
10	DP201065	WASHER	550331	4
11	DP201066	WASHER	820520	1
12		BOLT M8x16		1
13	DPA0002	REDUCTION GEAR		1
14	DP201070	SHAFT	801510	1
15		BOLT M6x25		1
16	DPA0003	CARDAN SHAFT		1

5 - REGULATING VALVE - FLANGE

N.	CODE	DESCRIPTION	SUTTABLE	QTY
3	DP201052	RING NUT	800680	1
4	DP201053	HOSE Ø15	800530	1
5	DP201054	HOSE Ø10	800670	1
6	DP201055	RING NUT	800520	2
7	DPA0001	PRESSURE REGULATOR	1912	1
8	DP201017	OR Ø14X1,78	740290	4
9	DP201056	FLANGE 1/2 G	800692	1
10		BOLT M6x18		2
11	DPA0004	REDUCTION GEAR		1

